

Operating Manual

Electric Infrared Heater

IR 3



Perfection is our aim.



EC DECLARATION OF CONFORMITY

in sense of EC machine directive 89/392/EWG

Appendix II A

Type of machine

IR 3

is designed, constructed and manufactured in accordance with the above-mentioned directive and EMC, the low tension directive 73/23 EEC and the directive 89/336/EEC.

The following harmonized standards have been used

- DIN EN ISO 12100-1/2 Safety of machines, appliances and installations
- DIN EN 294 Safety of machines, safety distances
- DIN EN 60204-1 Electrical equipment for industrial machines
- EN 61000-6-3 Emission standard for residential, commercial and light-industrial environments
- EN 61000-6-4 Electro magnetic compatibility /household

NOTE: The observance of EN 294 refers only to the protection against accidental contacts of the unit. For the complete fulfillment of EN 294 the user resp. installer is responsible.

Mönchengladbach,
12.05.04

.....
Place, Date

.....
Signature

 Managing Director

I N D E X

	<u>Page</u>
1. TECHNICAL DATA	1
2. GENERAL	2
3. OPERATING INSTRUCTION	2
Starting	2
Stopping	2
Wiring diagram	3
Spare part list	4
Exploded view and mounting advise	5

1. TECHNICAL DATA

Type:	IR 3
Order No.:	2900020
Heating capacity:	3 kW 2.580 kcal/h
Voltage:	230 V - 50 Hz
Rated current:	14 Amp.
Dimensions: L x W x H	320 x 470 x 630 mm
Weight:	9 kg
Electrical connection:	Schuko plug

2. GENERAL

The IR 3 is an easy portable electric operated infrared radiator. The unit is designed for continuous operation.

The heater can be used for heating, drying, warming and deicing at any place where you have an electrical outlet with 230 V - 50 Hz. It can be used for various applications such as heating or drying in the construction, indoors as well as outdoors. It accelerates all drying processes as for ex. with potter ware, painting, roughcast, for warming of work areas and smaller workshops. An ideal partner for handicraft and industry.

3. OPERATING INSTRUCTION

ATTENTION !

The heater may be operated only by persons who have been advised in the use of the heater. Please, refer to the operating manual.

Prepare and service on electrical components may be carried out by an electric expert only. On construction sites the heater may be connected only according to the VDE standard 0100 with a terminal with FI-protection switch.

Keep away from combustible material.

STARTING

Connect the infrared radiator to a suitable electrical system. The unit is immediately ready for operation.

Operation '**Heating**': Switch operating switch to 'Ein' (On). Keep safety distance to flammable material.

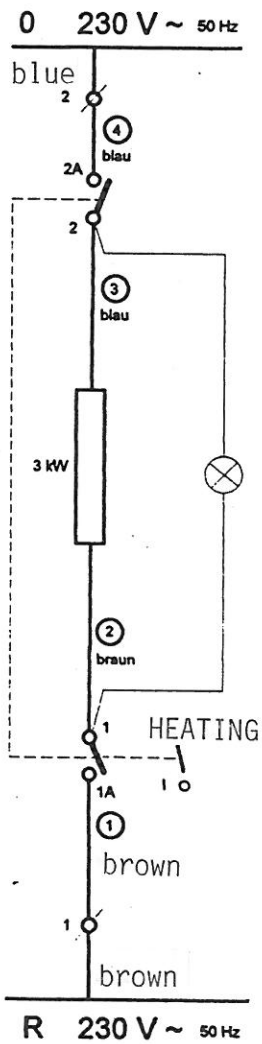
STOPPING

Operating switch to position 'Aus' (Off). The unit shuts off.

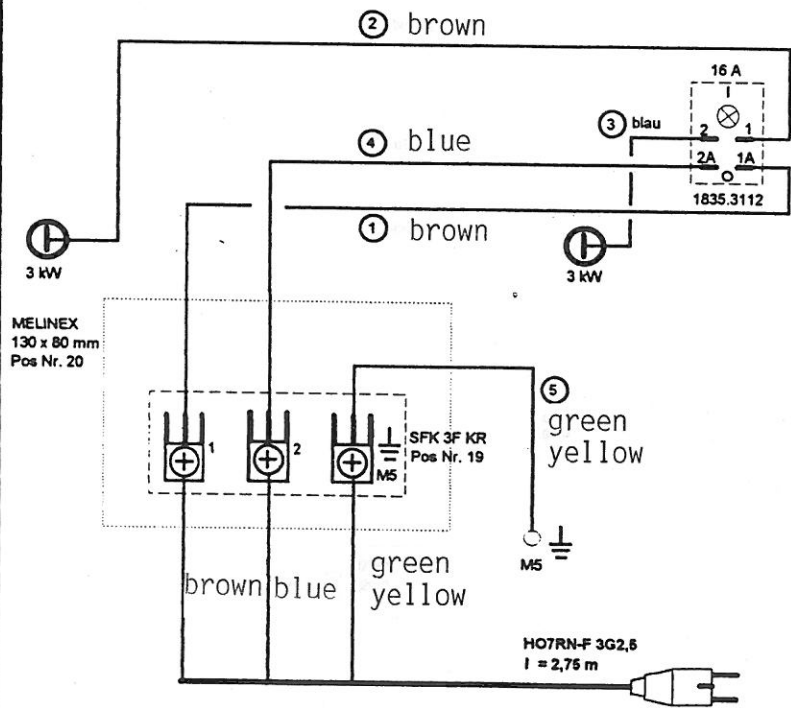
Important notice: Start and switch off the unit only with the operating switch and **not** by plugging in or taking out the plug.

230 V~ 50 Hz
3 kW 14 A
Wiring 2,5 mm²

Principle schematic drawing IR 3-01-01



Wiring diagram drawing IR 3-02-01

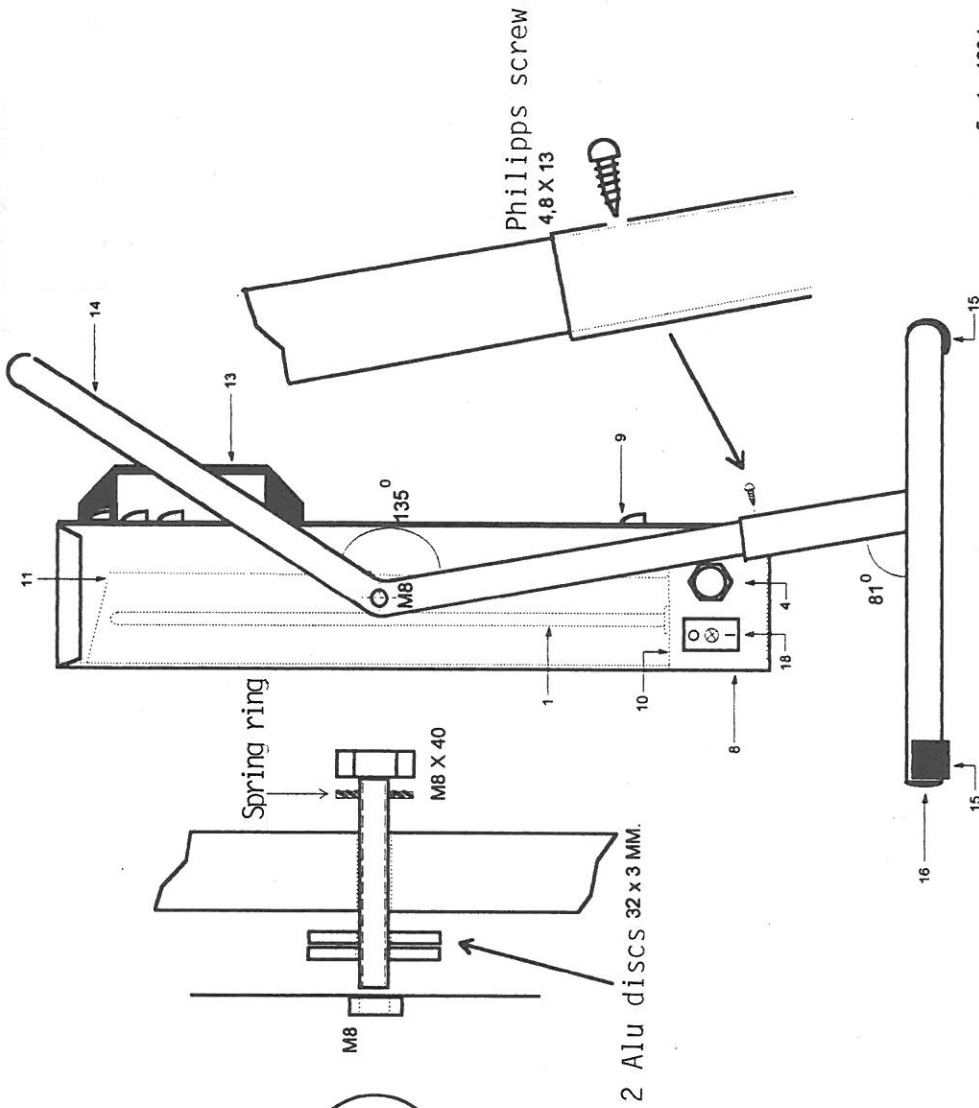
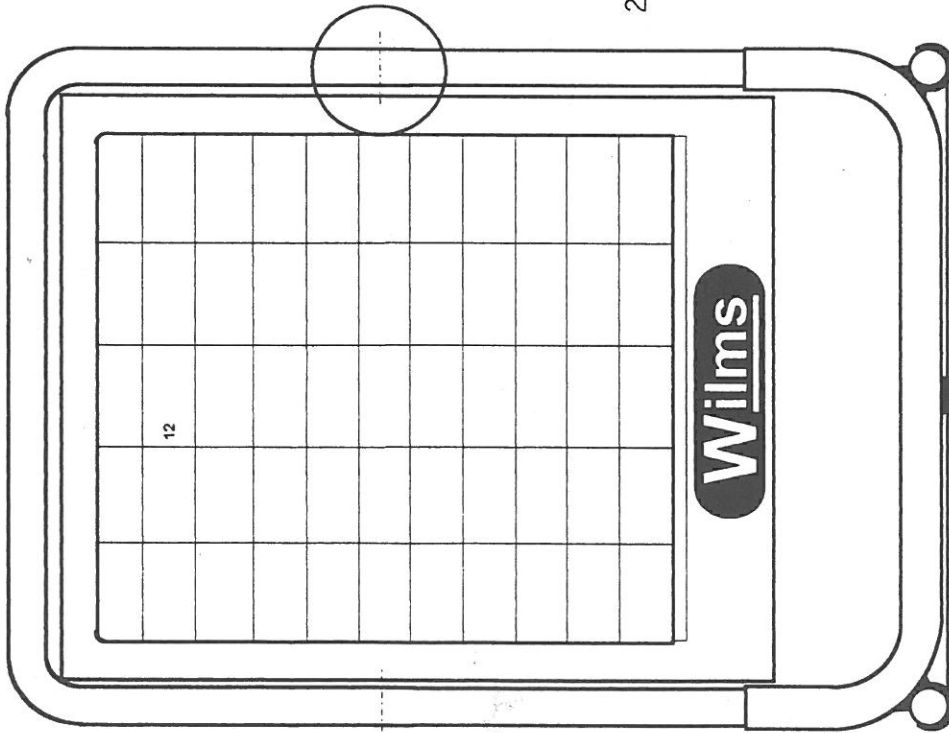


<u>Pos.</u>	<u>Order No.</u>	<u>Description</u>	<u>Qty.</u>
1	6163080	Heating element	1
2	6163105	Disc for heating element	2
3	6163106	Nut for heating element	2
4	1135038	Strain relief bushing PG 13.5	1
5	1135040	Nut PG 13.5	1
6	6163081	Main cable 3 x 2.5 mm ² 2.75 m	1
7	1131018	Schuko plug	1
8	6163082	Cover front	1
9	6163083	Cover rear	1
10	6163084	Base plate	1
11	6163085	Reflector	1
12	6163086	Guard	1
13	6163087	Grip	1
14	6163088	Handle compl.	1
15	6163089	Foot	3
16	6163090	Plug	2
18	6163091	On-Off switch	1
19	6163092	Terminal block	1
20	6163093	Isolation plate	1

Wilms

DRAWING IR 3-03-01

MOUNTING RADIATOR TRÄGERBESTELLE



5 - 1 - 1994

SKALE 1 : 5

IRMONTA.DOC

FIRST SECURE RADIATOR IN HANDLE THEN MOUNT FOOT