

232



Ayak Tipi: Dikey Oynar Tabanlı
Body Mounting Base: Vertical and adjustable



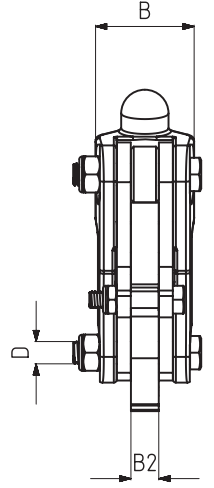
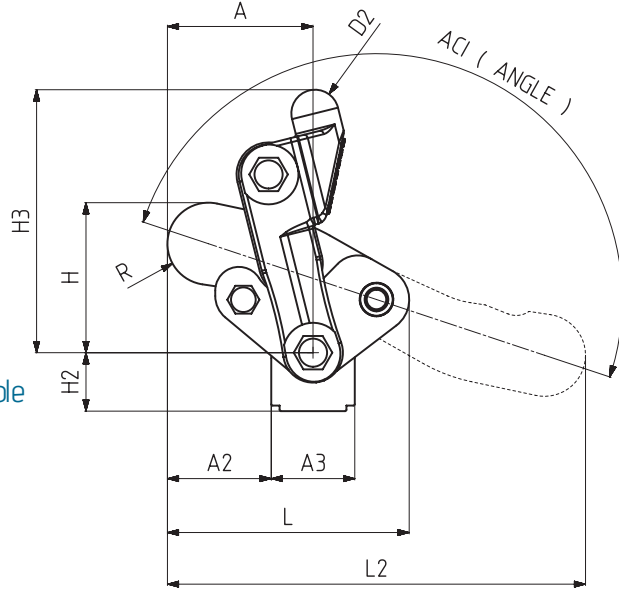
222
Sayfa/Page: 27



241
Sayfa/Page: 32



242
Sayfa/Page: 34



| MODEL NO | F1 (N) | Fi | AÇI (ANGLE) (± 5 °) | AĞIRLIK (WEIGHT) (gr ±%2) |
|----------|--------|--------------------|---------------------|---------------------------|
| | | VERİM (YIELD) (F1) | | |
| 232-2 | 2500 | 5:1 | 180° | 200 |
| 232-4 | 7000 | 5:1 | 180° | 830 |
| 232-6 | 11000 | 5:1 | 180° | 1600 |

F1 : BASKI KUVVETİ (EXERTING FORCE) , Fi : UYGULAMA KUVVETİ (APPLIED FORCE)

| MODEL NO | A | A2 | A3 | B | B2 | D | D2 | H | H2 | H3 | L | L2 | R |
|----------|----|------|----|----|----|-----|-----|----|----|------|-----|-----|------|
| 232-2 | 36 | 26 | 20 | 23 | 6 | M6 | Ø10 | 31 | 17 | 55 | 56 | 98 | 9,5 |
| 232-4 | 44 | 29 | 30 | 36 | 10 | M8 | Ø17 | 52 | 23 | 94,5 | 79 | 135 | 15 |
| 232-6 | 69 | 51.5 | 35 | 46 | 12 | M10 | Ø22 | 73 | 30 | 120 | 112 | 197 | 18.5 |

233



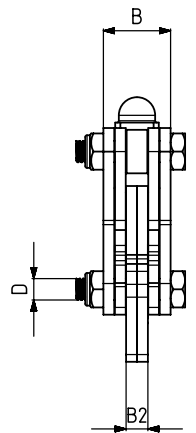
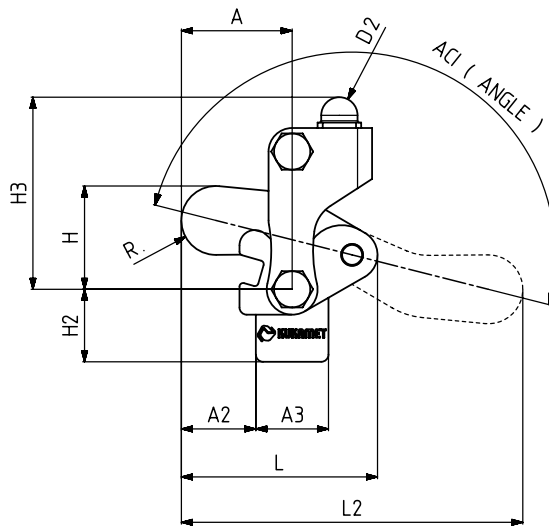
Ayak Tipi: Dikey Oynar Tabanlı
Body Mounting Base: Vertical and adjustable



223
Sayfa/Page: 29



917
Sayfa/Page: 121



| MODEL NO | F1 (N) | Fi | AÇI (ANGLE) (± 5 °) | AĞIRLIK (WEIGHT) (gr ±%2) |
|----------|--------|--------------------|---------------------|---------------------------|
| | | VERİM (YIELD) (F1) | | |
| 233-2 | 2500 | 5:1 | 180° | 200 |

F1 : BASKI KUVVETİ (EXERTING FORCE) , Fi : UYGULAMA KUVVETİ (APPLIED FORCE)

MODEL NO : 233-2 KOL KAYNAKLI SAC / Welded steel arm

| MODEL NO | A | A2 | A3 | B | B2 | D | D2 | H | H2 | H3 | L | L2 | R |
|----------|------|------|----|------|----|----|-----|------|----|----|----|----|-----|
| 233-2 | 30,5 | 20,5 | 20 | 18,5 | 6 | M6 | Ø10 | 28,5 | 20 | 53 | 54 | 94 | 9,5 |