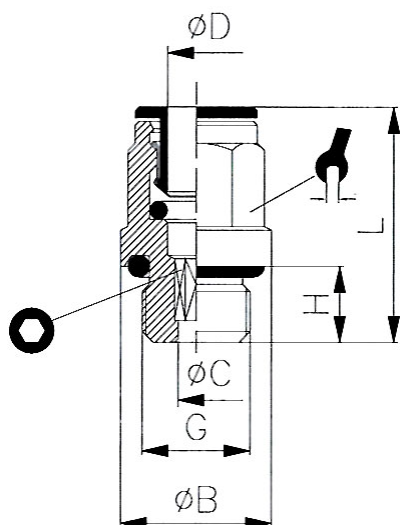




Preiswerte, qualitativ sehr hochwertige Serie von Steckverbindern aus vernickeltem Messing. Kleine platzsparende Bauweise und geringes Gewicht. Bei den Teilen mit Außengewinde sorgt ein O-Ring in der Hohlkehle am Ende des Gewindes für eine dichte Verbindung auch an rauen Oberflächen.

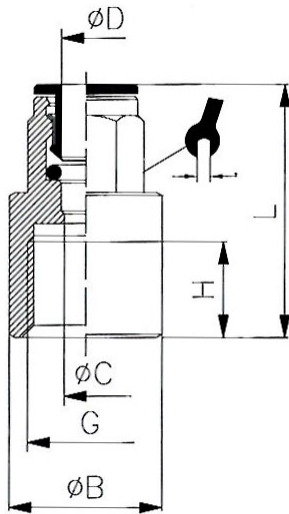
| | |
|---------------------|--|
| Material: | Messing vernickelt |
| Lösering: | Hostaform (Messing vernickelt, schwarz bei Ø 10, 12) |
| O-Ring: | NBR, silikonfrei |
| Spannzange: | Edelstahl AISI 316 |
| Betriebsdruck: | max. 16,0 bar (bei +20 °C) |
| Betriebstemperatur: | -20 °C bis +70 °C |



45.014-8-E


Gerade Einschraubverschraubung mit Außengewinde

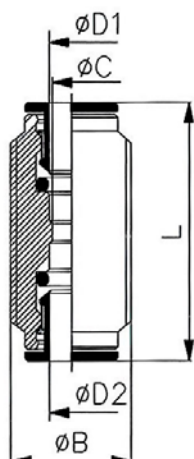
| Artikel Nr. | Ident Nr. | ØD | G | ØC | ØB | H | L |  |  |
|-------------|-----------|------|-------|------|------|------|------|---|---|
| 45.005-4-E | 115912 | 4,0 | M5 | 2,6 | 9,0 | 4,0 | 20,5 | - | 3 |
| 45.005-6-E | 115913 | 6,0 | M5 | 2,6 | 10,5 | 4,0 | 22,5 | - | 3 |
| 45.018-4-E | 115920 | 4,0 | G 1/8 | 2,6 | 13,5 | 6,0 | 20,0 | 9 | 3 |
| 45.018-6-E | 115921 | 6,0 | G 1/8 | 4,2 | 13,5 | 6,0 | 24,0 | 11 | 4 |
| 45.018-8-E | 115922 | 8,0 | G 1/8 | 5,0 | 13,0 | 6,0 | 26,5 | 13 | 5 |
| 45.014-4-E | 115917 | 4,0 | G 1/4 | 2,6 | 17,0 | 8,0 | 21,0 | 9 | 3 |
| 45.014-6-E | 115918 | 6,0 | G 1/4 | 5,0 | 17,0 | 8,0 | 24,0 | 11 | 4 |
| 45.014-8-E | 115919 | 8,0 | G 1/4 | 6,2 | 17,0 | 8,0 | 25,0 | 13 | 6 |
| 45.014-10-E | 115916 | 10,0 | G 1/4 | 7,3 | 16,0 | 8,0 | 29,5 | 16 | 7 |
| 45.038-8-E | 115925 | 8,0 | G 3/8 | 6,2 | 20,0 | 9,0 | 25,0 | 13 | 6 |
| 45.038-10-E | 115923 | 10,0 | G 3/8 | 8,3 | 21,0 | 9,0 | 29,5 | 16 | 8 |
| 45.038-12-E | 115924 | 12,0 | G 3/8 | 10,3 | 21,0 | 9,0 | 31,0 | 18 | 10 |
| 45.012-10-E | 115914 | 10,0 | G 1/2 | 8,2 | 24,0 | 11,0 | 30,0 | 16 | 8 |
| 45.012-12-E | 115915 | 12,0 | G 1/2 | 10,3 | 24,0 | 11,0 | 31,0 | 18 | 10 |



46.014-8-E

Gerade Aufschraubverschraubung mit Innengewinde

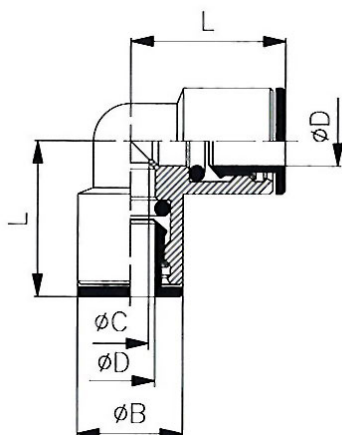
| Artikel Nr. | Ident Nr. | ØD | G | ØC | ØB | H | L |  |
|-------------|-----------|------|-------|-----|------|------|------|--|
| 46.018-4-E | 115929 | 4,0 | G 1/8 | 3,0 | 11,0 | 6,0 | 26,5 | 9 |
| 46.018-6-E | 115930 | 6,0 | G 1/8 | 5,0 | 11,0 | 6,0 | 27,0 | 11 |
| 46.018-8-E | 115931 | 8,0 | G 1/8 | 7,0 | 11,0 | 6,0 | 28,0 | 13 |
| 46.014-6-E | 115927 | 6,0 | G 1/4 | 5,0 | 16,0 | 13,0 | 31,0 | 11 |
| 46.014-8-E | 115928 | 8,0 | G 1/4 | 7,0 | 16,0 | 13,0 | 32,0 | 13 |
| 46.014-10-E | 115926 | 10,0 | G 1/4 | 9,0 | 16,0 | 13,0 | 32,0 | 16 |



47.008-E

Gerade Verbinder

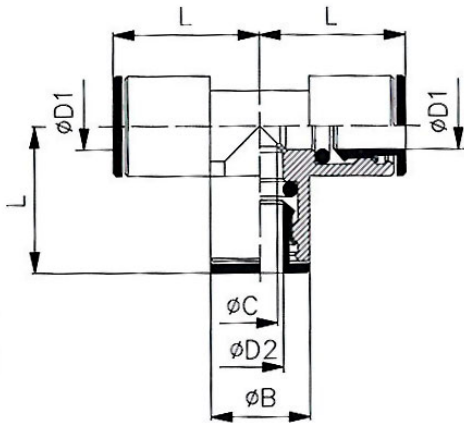
| Artikel Nr. | Ident Nr. | ØD1 | ØD2 | ØC | ØB | L |
|-------------|-----------|------|------|------|------|------|
| 47.004-E | 115932 | 4,0 | 4,0 | 3,0 | 9,0 | 32,0 |
| 47.006-E | 115933 | 6,0 | 6,0 | 5,0 | 11,0 | 33,5 |
| 47.008-E | 115934 | 8,0 | 8,0 | 7,0 | 13,0 | 38,0 |
| 47.010-E | 115935 | 10,0 | 10,0 | 9,0 | 15,0 | 39,5 |
| 47.012-E | 115936 | 12,0 | 12,0 | 11,0 | 17,0 | 42,0 |



48.008-E

Winkelverbinder

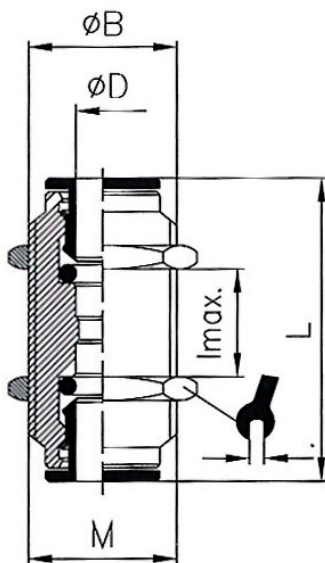
| Artikel Nr. | Ident Nr. | ØD | ØC | ØB | L |
|-------------|-----------|------|------|------|------|
| 48.004-E | 115937 | 4,0 | 3,0 | 9,0 | 17,5 |
| 48.006-E | 115938 | 6,0 | 5,0 | 11,0 | 19,5 |
| 48.008-E | 115939 | 8,0 | 7,0 | 13,0 | 23,0 |
| 48.010-E | 115940 | 10,0 | 8,0 | 15,0 | 25,0 |
| 48.012-E | 115941 | 12,0 | 10,0 | 17,0 | 27,0 |



49.008-E


T-Verbinder

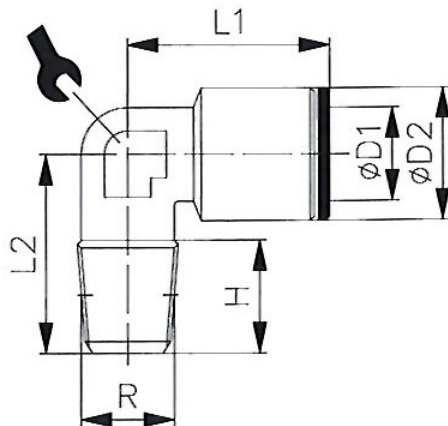
| Artikel Nr. | Ident Nr. | ØD1 | ØD2 | ØC | ØB | L |
|-------------|-----------|------|------|------|------|------|
| 49.004-E | 115942 | 4,0 | 4,0 | 3,0 | 9,0 | 17,5 |
| 49.006-E | 115943 | 6,0 | 6,0 | 5,0 | 11,0 | 19,5 |
| 49.008-E | 115944 | 8,0 | 8,0 | 7,0 | 13,0 | 23,0 |
| 49.010-E | 115945 | 10,0 | 10,0 | 8,0 | 15,0 | 25,0 |
| 49.012-E | 115946 | 12,0 | 12,0 | 10,0 | 17,0 | 27,0 |



51.016-8-E


Schottverschraubung

| Artikel Nr. | Ident Nr. | ØD | ØC | M | lmax. | L |  |
|-------------|-----------|------|------|--------|-------|------|---|
| 51.012-4-E | 115947 | 4,0 | 3,0 | M 10x1 | 8,0 | 32,0 | 13 |
| 51.014-6-E | 115948 | 6,0 | 5,0 | M 14x1 | 8,0 | 33,5 | 17 |
| 51.016-8-E | 115949 | 8,0 | 7,0 | M 16x1 | 10,0 | 37,0 | 18 |
| 51.020-10-E | 115950 | 10,0 | 9,0 | M 17x1 | 12,0 | 39,5 | 20 |
| 51.022-12-E | 115951 | 12,0 | 11,0 | M 20x1 | 17,0 | 42,0 | 24 |



52.014-8-E

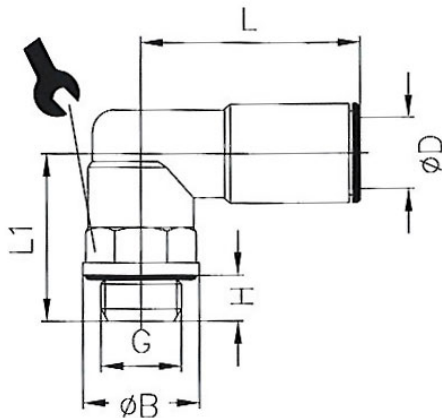
Winkeleinschraubverschraubung, Außengewinde konisch

| Artikel Nr. | Ident Nr. | ØD1 | R | ØD2 | H | L1 | L2 |  |
|-------------|-----------|------|-----|------|------|------|------|---|
| 52.018-4-E | 116196 | 4,0 | 1/8 | 9,0 | 8,0 | 16,1 | 17,5 | 10 |
| 52.018-6-E | 116197 | 6,0 | 1/8 | 11,0 | 9,0 | 20,0 | 17,5 | 10 |
| 52.018-8-E | 116198 | 8,0 | 1/8 | 13,0 | 10,0 | 24,0 | 18,5 | 10 |
| 52.014-6-E | 116194 | 6,0 | 1/4 | 11,0 | 12,0 | 23,0 | 22,0 | 12 |
| 52.014-8-E | 116195 | 8,0 | 1/4 | 13,0 | 12,0 | 24,0 | 22,0 | 12 |
| 52.014-10-E | 116193 | 10,0 | 1/4 | 15,0 | 12,0 | 24,0 | 22,0 | 14 |

Empfohlene Schlauchmaterialien


Empfohlene Materialien: PU, PA

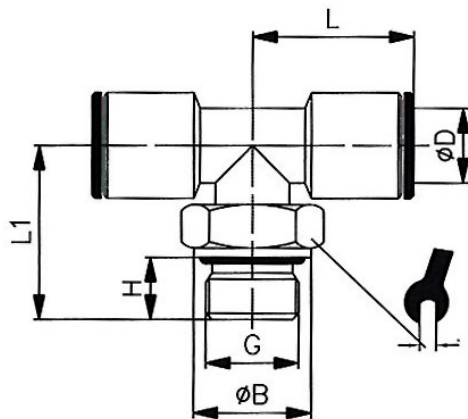
Für Leitungen nach ISO 14743
 Toleranzen für Außen-Ø
 4 bis 8: ±0,1
 Toleranzen für Außen-Ø
 10 bis 14: ±0,15 (PU)
 10 bis 14: ±0,1 (PA)



54.014-8-E


Winkeleinschraubverschraubung, drehbar, Außengewinde zylindrisch

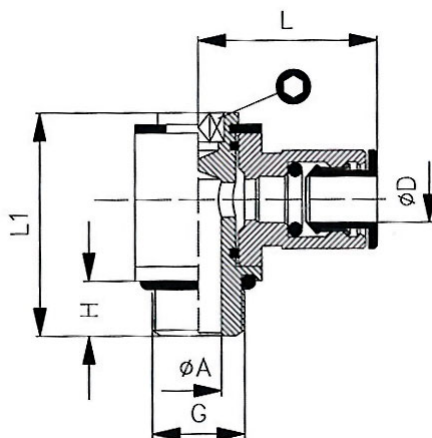
| Artikel Nr. | Ident Nr. | ØD | G | ØB | H | L | L1 |  |
|-------------|-----------|------|-------|------|------|------|------|---|
| 54.005-4-E | 116199 | 4,0 | M5 | 8,0 | 4,0 | 19,0 | 14,5 | 9 |
| 54.005-6-E | 116200 | 6,0 | M5 | 8,0 | 4,0 | 21,0 | 14,5 | 9 |
| 54.018-4-E | 116207 | 4,0 | G 1/8 | 13,0 | 6,0 | 19,0 | 20,0 | 13 |
| 54.018-6-E | 116208 | 6,0 | G 1/8 | 13,0 | 6,0 | 21,0 | 20,0 | 13 |
| 54.018-8-E | 116209 | 8,0 | G 1/8 | 13,0 | 6,0 | 24,0 | 20,0 | 13 |
| 54.014-4-E | 116204 | 4,0 | G 1/4 | 16,0 | 8,0 | 19,0 | 24,0 | 13 |
| 54.014-6-E | 116205 | 6,0 | G 1/4 | 16,0 | 8,0 | 21,0 | 24,0 | 13 |
| 54.014-8-E | 116206 | 8,0 | G 1/4 | 16,0 | 8,0 | 24,0 | 24,0 | 13 |
| 54.014-10-E | 116203 | 10,0 | G 1/4 | 16,0 | 8,0 | 27,0 | 24,0 | 16 |
| 54.038-8-E | 116212 | 8,0 | G 3/8 | 20,0 | 9,0 | 24,0 | 25,5 | 13 |
| 54.038-10-E | 116210 | 10,0 | G 3/8 | 20,0 | 9,0 | 27,0 | 28,0 | 16 |
| 54.038-12-E | 116211 | 12,0 | G 3/8 | 20,0 | 9,0 | 28,0 | 28,5 | 20 |
| 54.012-10-E | 116201 | 10,0 | G 1/2 | 25,0 | 11,0 | 27,0 | 30,0 | 16 |
| 54.012-12-E | 116202 | 12,0 | G 1/2 | 25,0 | 11,0 | 28,0 | 33,5 | 20 |



55.014-8-E


T-Einschraubverschraubung, drehbar, Außengewinde zylindrisch

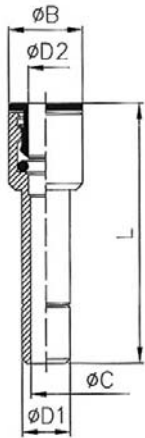
| Artikel Nr. | Ident Nr. | ØD | G | ØB | H | L | L1 |  |
|-------------|-----------|------|-------|------|-----|------|------|---|
| 55.018-4-E | 116216 | 4,0 | G 1/8 | 13,0 | 6,0 | 17,5 | 18,5 | 13 |
| 55.018-6-E | 116217 | 6,0 | G 1/8 | 13,0 | 6,0 | 21,0 | 18,5 | 13 |
| 55.018-8-E | 116218 | 8,0 | G 1/8 | 13,0 | 6,0 | 23,0 | 20,5 | 13 |
| 55.014-6-E | 116214 | 6,0 | G 1/4 | 16,0 | 8,0 | 21,0 | 22,5 | 13 |
| 55.014-8-E | 116215 | 8,0 | G 1/4 | 16,0 | 8,0 | 23,0 | 22,5 | 13 |
| 55.014-10-E | 116213 | 10,0 | G 1/4 | 16,0 | 8,0 | 25,5 | 24,5 | 16 |



56.014-8-E

Winkelschwenkverschraubung, drehbar, Außengewinde zylindrisch

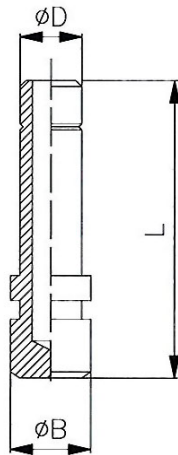
| Artikel Nr. | Ident Nr. | ØD | G | ØA | H | L1 | L |  |
|-------------|-----------|-----|-------|-----|-----|------|------|---|
| 56.005-4-E | 116275 | 4,0 | M5 | 2,0 | 4,0 | 17,0 | 18,5 | 2 |
| 56.018-4-E | 116278 | 4,0 | G 1/8 | 5,5 | 6,0 | 25,0 | 21,0 | 3 |
| 56.018-6-E | 116279 | 6,0 | G 1/8 | 5,5 | 6,0 | 25,0 | 23,5 | 3 |
| 56.018-8-E | 116280 | 8,0 | G 1/8 | 5,5 | 6,0 | 25,0 | 24,5 | 3 |
| 56.014-6-E | 116276 | 6,0 | G 1/4 | 7,8 | 8,0 | 29,3 | 24,5 | 4 |
| 56.014-8-E | 116277 | 8,0 | G 1/4 | 7,8 | 8,0 | 29,3 | 26,0 | 4 |



57.0604-E

Reduzierstücke

| Artikel Nr. | Ident Nr. | ØD1 | ØD2 | ØC | ØB | L |
|-------------|-----------|------|-----|-----|------|------|
| 57.0604-E | 116295 | 6,0 | 4,0 | 3,0 | 9,0 | 30,5 |
| 57.0806-E | 116296 | 8,0 | 6,0 | 5,0 | 10,5 | 33,5 |
| 57.1006-E | 116297 | 10,0 | 6,0 | 5,0 | 10,5 | 37,5 |
| 57.1008-E | 116298 | 10,0 | 8,0 | 7,0 | 13,0 | 38,0 |



58.006-E

Verschlussstecker

| Artikel Nr. | Ident Nr. | ØD | ØB | L |
|-------------|-----------|------|------|------|
| 58.004-E | 116299 | 4,0 | 5,0 | 25,5 |
| 58.006-E | 116300 | 6,0 | 7,0 | 27,5 |
| 58.008-E | 116301 | 8,0 | 9,0 | 30,5 |
| 58.010-E | 116302 | 10,0 | 11,0 | 35,0 |
| 58.012-E | 116303 | 12,0 | 13,0 | 37,0 |