

Stellringe DIN 705, Edelstahl, Form A, Schlitz

Artikelbeschreibung/Produktabbildungen



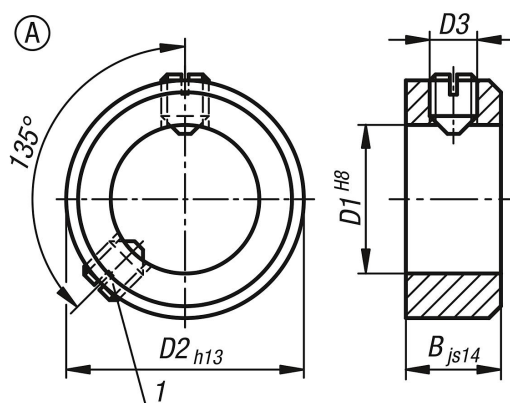
Beschreibung

Werkstoff:
Edelstahl 1.4305.

Ausführung:
blank.

Zeichnungshinweis:
1) zweiter Gewindestift ab $D1 \geq 75$

Zeichnungen



Artikelübersicht

Bestellnummer	Form	D1	B	D2	D3 Gewindestift
K0406.100302	A	3	5	7	M2x3
K0406.100402	A	4	5	8	M2,5x3
K0406.100502	A	5	6	10	M3x4
K0406.100602	A	6	8	12	M4x5
K0406.100702	A	7	8	12	M4x5
K0406.100802	A	8	8	16	M4x6
K0406.100902	A	9	10	18	M5x8
K0406.101002	A	10	10	20	M5x8
K0406.101102	A	11	10	20	M5x8
K0406.101202	A	12	12	22	M6x8
K0406.101402	A	14	12	25	M6x8
K0406.101502	A	15	12	25	M6x8
K0406.101602	A	16	12	28	M6x8
K0406.101802	A	18	14	32	M6x8
K0406.102002	A	20	14	32	M6x8
K0406.102402	A	24	16	40	M8x12

Stellringe DIN 705, Edelstahl, Form A, Schlitz

Artikelübersicht

Bestellnummer	Form	D1	B	D2	D3 Gewindestift
K0406.102502	A	25	16	40	M8x10
K0406.102602	A	26	16	40	M8x10
K0406.102802	A	28	16	45	M8x12
K0406.103002	A	30	16	45	M8x10
K0406.103202	A	32	16	50	M8x12
K0406.103502	A	35	16	56	M8x12
K0406.103602	A	36	16	56	M8x12
K0406.103802	A	38	16	56	M8x12
K0406.104002	A	40	18	63	M10x16
K0406.104202	A	42	18	63	M10x16
K0406.104502	A	45	18	70	M10x16
K0406.104802	A	48	18	70	M10x16
K0406.105002	A	50	18	80	M10x16
K0406.105202	A	52	18	80	M10x16
K0406.105502	A	55	18	80	M10x16
K0406.105602	A	56	18	80	M10x16
K0406.105802	A	58	20	90	M10x16
K0406.106002	A	60	20	90	M10x16
K0406.106302	A	63	20	90	M10x16
K0406.106502	A	65	20	100	M10x20
K0406.106802	A	68	20	100	M10x20
K0406.107002	A	70	20	100	M10x20
K0406.107202	A	72	20	100	M10x20
K0406.107502	A	75	22	110	M12x20
K0406.108002	A	80	22	110	M12x20
K0406.108502	A	85	22	125	M12x25
K0406.109002	A	90	22	125	M12x20
K0406.110002	A	100	25	140	M12x25