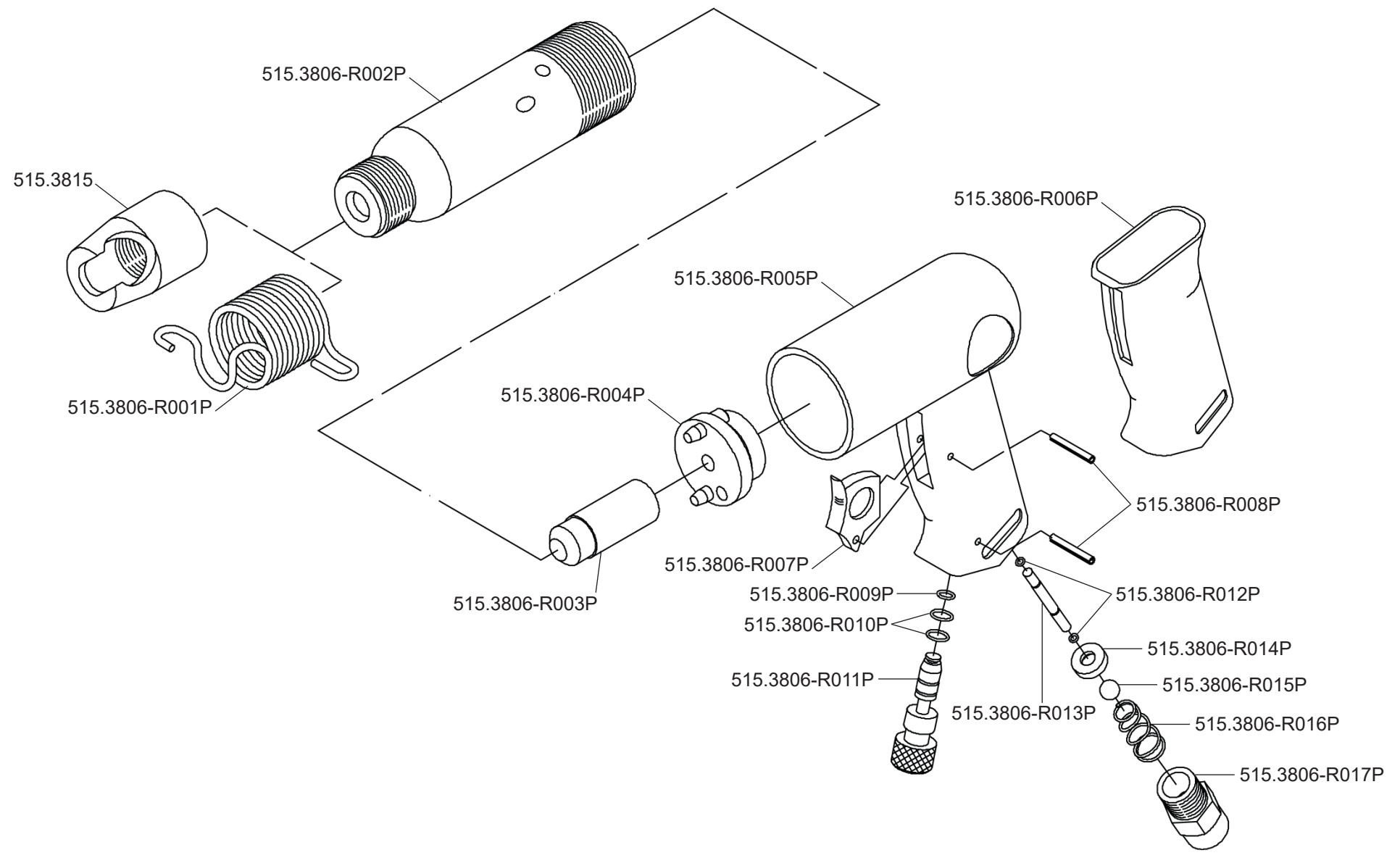


Art. 515.3806



Art. 515.3806

Art.-Nr.	Description	Beschreibung	Menge Qty.
515.3806-R001P	Spring	Feder	1
515.3806-R002P	Compressed air cylinder	Druckluftzylinder	1
515.3806-R003P	Piston	Kolben	1
515.3806-R004P	Valve controller	Ventilsteuerung	1
515.3806-R005P	Housing	Gehäuse	1
515.3806-R006P	Comfort grip	Griffgummierung	1
515.3806-R007P	Trigger	Abzug	1
515.3806-R008P	Spring pin	Splint	1
515.3806-R009P	O-Ring	O-Ring	1
515.3806-R010P	O-Ring for air regulator	O-Ring für Druckluftregulierung	1

Art.-Nr.	Description	Beschreibung	Menge Qty.
515.3806-R011P	Air regulator	Druckluftregulierung	1
515.3806-R012P	O-Ring for air inlet valve	O-Ring für Lufteinlassventil	1
515.3806-R013P	Valve stem	Ventilstift	1
515.3806-R014P	Valve cap	Ventilkappe	1
515.3806-R015P	Steel ball	Stahlkugel	1
515.3806-R016P	Valve spring	Ventilfeder	1
515.3806-R017P	Air inlet screw	Lufteinlassschraube	1
515.3815	Holder for air chisel set	Sicherheits-Meißelhalter	1