

European Technical Approval ETA-06/0175

English translation prepared by DIBt - Original version in German language

Handelsbezeichnung
Trade name

fischer Nagelanker FNA II
fischer nail anchor FNA II

Zulassungsinhaber
Holder of approval

fischerwerke GmbH & Co. KG
Weinhalde 14-18
72178 Waldachtal
DEUTSCHLAND

Zulassungsgegenstand
und Verwendungszweck

*Generic type and use
of construction product*

Lastkontrolliert spreizender Dübel für die Verwendung als
Mehrfachbefestigung von nichttragenden Systemen in Beton
*Load controlled expansion anchor for multiple use for non-structural
applications in concrete*

Geltungsdauer:
Validity:

vom
from
bis
to

16 July 2008

4 September 2011

verlängert
extended

vom
from
bis
to

5 September 2011

5 September 2016

Herstellwerk
Manufacturing plant

fischerwerke

Diese Zulassung umfasst
This Approval contains

12 Seiten einschließlich 4 Anhänge
12 pages including 4 annexes

I LEGAL BASES AND GENERAL CONDITIONS

- 1 This European technical approval is issued by Deutsches Institut für Bautechnik in accordance with:
 - Council Directive 89/106/EEC of 21 December 1988 on the approximation of laws, regulations and administrative provisions of Member States relating to construction products¹, modified by Council Directive 93/68/EEC² and Regulation (EC) N° 1882/2003 of the European Parliament and of the Council³;
 - Gesetz über das In-Verkehr-Bringen von und den freien Warenverkehr mit Bauprodukten zur Umsetzung der Richtlinie 89/106/EWG des Rates vom 21. Dezember 1988 zur Angleichung der Rechts- und Verwaltungsvorschriften der Mitgliedstaaten über Bauprodukte und anderer Rechtsakte der Europäischen Gemeinschaften (Bauproduktengesetz - BauPG) vom 28. April 1998⁴, as amended by law of 31 October 2006⁵;
 - Common Procedural Rules for Requesting, Preparing and the Granting of European technical approvals set out in the Annex to Commission Decision 94/23/EC⁶;
 - Guideline for European technical approval of "Metal anchors for use in concrete - Part 6: Anchors for multiple use for non-structural applications", ETAG 001-06.
- 2 Deutsches Institut für Bautechnik is authorized to check whether the provisions of this European technical approval are met. Checking may take place in the manufacturing plant. Nevertheless, the responsibility for the conformity of the products to the European technical approval and for their fitness for the intended use remains with the holder of the European technical approval.
- 3 This European technical approval is not to be transferred to manufacturers or agents of manufacturers other than those indicated on page 1, or manufacturing plants other than those indicated on page 1 of this European technical approval.
- 4 This European technical approval may be withdrawn by Deutsches Institut für Bautechnik, in particular pursuant to information by the Commission according to Article 5(1) of Council Directive 89/106/EEC.
- 5 Reproduction of this European technical approval including transmission by electronic means shall be in full. However, partial reproduction can be made with the written consent of Deutsches Institut für Bautechnik. In this case partial reproduction has to be designated as such. Texts and drawings of advertising brochures shall not contradict or misuse the European technical approval.
- 6 The European technical approval is issued by the approval body in its official language. This version corresponds fully to the version circulated within EOTA. Translations into other languages have to be designated as such.

¹ Official Journal of the European Communities L 40, 11 February 1989, p. 12
² Official Journal of the European Communities L 220, 30 August 1993, p. 1
³ Official Journal of the European Union L 284, 31 October 2003, p. 25
⁴ *Bundesgesetzblatt Teil I 1998*, p. 812
⁵ *Bundesgesetzblatt Teil I 2006*, p. 2407, 2416
⁶ Official Journal of the European Communities L 17, 20 January 1994, p. 34

II SPECIFIC CONDITIONS OF THE EUROPEAN TECHNICAL APPROVAL

1 Definition of product and intended use

1.1 Definition of the construction product

The Fischer Nail anchor FNA II of sizes 6x25 and 6x30 is an anchor made of galvanised steel, stainless steel (marking "A4") or high corrosion resistant steel (marking "C") which is pushed into a drilled hole and expanded by loading.

An illustration of the product and intended use is given in Annex 1.

1.2 Intended use

The anchor is intended to be used for anchorages for which requirements for safety in use in the sense of the Essential Requirements 4 of Council Directive 89/106 EEC shall be fulfilled and failure of the fixture represents an immediate risk to human life. The anchor is to be used only for multiple use for non-structural applications. The definition of multiple use according to the Member States is given in the informative Annex 1 of ETAG 001, Part 6.

The anchor may be used for anchorages with requirements related to resistance to fire.

The anchor is to be used only for anchorages subject to static or quasi-static loading in reinforced or unreinforced normal weight concrete of strength classes C12/15 at minimum and C50/60 at most according to EN 206-1:2000-12. It may be anchored in cracked or non-cracked concrete.

FNA II (made of galvanised steel):

The anchor made of galvanised steel may only be used in structures subject to dry internal conditions.

FNA II A4 (made of stainless steel):

The anchor made of stainless steel may be used in structures subject to dry internal conditions and also in structures subject to external atmospheric exposure (including industrial and marine environment), or exposure in permanently damp internal conditions, if no particular aggressive conditions exist. Such particular aggressive conditions are e.g. permanent, alternating immersion in seawater or the splash zone of seawater, chloride atmosphere of indoor swimming pools or atmosphere with extreme chemical pollution (e.g. in desulphurization plants or road tunnels where de-icing materials are used).

FNA II C (made of stainless steel 1.4529 or 1.4565):

The anchor made of high corrosion resistant steel may be used in structures subject to dry internal conditions and also in structures subject to external atmospheric exposure, in permanently damp internal conditions or in other particular aggressive conditions. Such particular aggressive conditions are e.g. permanent, alternating immersion in seawater or the splash zone of seawater, chloride atmosphere of indoor swimming pools or atmosphere with chemical pollution (e.g. in desulphurization plants or road tunnels where de-icing materials are used).

The provisions made in this European technical approval are based on an assumed working life of the anchor of 50 years. The indications given on the working life cannot be interpreted as a guarantee given by the producer, but are to be regarded only as a means for choosing the right products in relation to the expected economically reasonable working life of the works.

2 Characteristics of the product and methods of verification

2.1 Characteristics of the product

The anchor corresponds to the drawings and provisions given in Annex 1. The characteristic material values, dimensions and tolerances of the anchor not given in Annex 1 shall correspond to the respective values laid down in the technical documentation⁷ of this European technical approval.

Regarding the requirements concerning safety in case of fire it is assumed that the anchor meets the requirements of class A1 in relation to reaction to fire in accordance with the stipulations of the Commission decision 96/603/EC, amended by 2000/605/EC.

The characteristic values for the design of anchorages are given in Annexes 2 and 3.

The characteristic anchor values for the design of the anchorages regarding resistance to fire are given in Annex 4. They are valid for use in a system that is required to provide a specific fire resistance class.

Each anchor is marked according to Annex 1. Each anchor FNA A4 made of stainless steel is marked with the letter "A4". Each anchor FNA C made of stainless steel 1.4529 or 1.4565 is marked with the letter "C".

The anchor shall only be supplied as a complete unit.

2.2 Methods of verification

The assessment of fitness of the anchor for the intended use in relation to the requirements for safety in use in the sense of the Essential Requirements 4 has been made in accordance with the "Guideline for European technical approval of Metal Anchors for use in concrete", Part 1 "Anchors in general" and Part 6 "Anchors for multiple use for non-structural applications".

The assessment of the anchor for the intended use in relation to the requirements for resistance to fire has been made in accordance with the Technical Report TR 020 "Evaluation of anchorages in concrete concerning resistance to fire".

In addition to the specific clauses relating to dangerous substances contained in this European technical approval, there may be other requirements applicable to the products falling within its scope (e.g. transposed European legislation and national laws, regulations and administrative provisions). In order to meet the provisions of the Construction Products Directive, these requirements need also to be complied with, when and where they apply.

⁷ The technical documentation of this European technical approval is deposited at the Deutsches Institut für Bautechnik and, as far as relevant for the tasks of the approved bodies involved in the attestation of conformity procedure, is handed over to the approved bodies.

3 Evaluation and attestation of conformity and CE marking

3.1 System of attestation of conformity

According to the decision 97/161/EG of the European Commission⁸ the system 2(ii) (referred to as system 2+) of attestation of conformity applies.

This system of attestation of conformity is defined as follows:

System 2+: Declaration of conformity of the product by the manufacturer on the basis of:

- (a) Tasks for the manufacturer:
 - (1) initial type-testing of the product;
 - (2) factory production control;
 - (3) testing of samples taken at the factory in accordance with a prescribed control plan.
- (b) Tasks for the approved body:
 - (4) certification of factory production control on the basis of:
 - initial inspection of factory and of factory production control;
 - continuous surveillance, assessment and approval of factory production control.

Note: Approved bodies are also referred to as "notified bodies".

3.2 Responsibilities

3.2.1 Tasks for the manufacturer

3.2.1.1 Factory production control

The manufacturer shall exercise permanent internal control of production. All the elements, requirements and provisions adopted by the manufacturer shall be documented in a systematic manner in the form of written policies and procedures, including records of results performed. This production control system shall insure that the product is in conformity with this European technical approval.

The manufacturer may only use initial / raw / constituent materials stated in the technical documentation of this European technical approval.

The factory production control shall be in accordance with the control plan which is part of the technical documentation of this European technical approval. The control plan is laid down in the context of the factory production control system operated by the manufacturer and deposited with Deutsches Institut für Bautechnik.⁹

The results of factory production control shall be recorded and evaluated in accordance with the provisions of the control plan.

3.2.1.2 Other tasks of manufacturer

The manufacturer shall, on the basis of a contract, involve a body which is approved for the tasks referred to in section 3.1 in the field of anchors in order to undertake the actions laid down in section 3.2.2. For this purpose, the control plan referred to in sections 3.2.1.1 and 3.2.2 shall be handed over by the manufacturer to the approved body involved.

The manufacturer shall make a declaration of conformity, stating that the construction product is in conformity with the provisions of this European technical approval.

⁸ Official Journal of the European Communities L 67 of 03.02.1997

⁹ The control plan is a confidential part of the European technical approval and only handed over to the approved body involved in the procedure of attestation of conformity. See section 3.2.2.

3.2.2 Tasks for the approved bodies

The approved body shall perform the

- initial inspection of factory and of factory production control,
- continuous surveillance, assessment and approval of factory production control, in accordance with the provisions laid down in the control plan.

The approved body shall retain the essential points of its actions referred to above and state the results obtained and conclusions drawn in a written report.

The approved certification body involved by the manufacturer shall issue an EC certificate of conformity of the factory production control stating the conformity with the provisions of this European technical approval.

In cases where the provisions of the European technical approval and its control plan are no longer fulfilled the certification body shall withdraw the certificate of conformity and inform Deutsches Institut für Bautechnik without delay.

3.3 CE marking

The CE marking shall be affixed on each packaging of the anchor. The letters "CE" shall be followed by the identification number of the approved certification body, where relevant, and be accompanied by the following additional information:

- the name and address of the producer (legal entity responsible for the manufacture),
- the last two digits of the year in which the CE marking was affixed,
- the number of the EC certificate for the factory production control,
- the number of the European technical approval,
- the number of the guideline for European technical approval (ETAG 001-6),
- size.

4 Assumptions under which the fitness of the product for the intended use was favourably assessed

4.1 Manufacturing

The European technical approval is issued for the product on the basis of agreed data/information, deposited with the Deutsches Institut für Bautechnik, which identifies the product that has been assessed and judged. Changes to the product or production process, which could result in this deposited data/information being incorrect, should be notified to the Deutsches Institut für Bautechnik before the changes are introduced. Deutsches Institut für Bautechnik will decide whether or not such changes affect the approval and consequently the validity of the CE marking on the basis of the approval and if so whether further assessment or alterations to the approval shall be necessary.

4.2 Design of anchorages Installation

The fitness of the anchor for the intended use is given under the following conditions:

The anchorages are designed in accordance with the "Guideline for European technical approval of Metal Anchors for Use in Concrete", Annex C, Method C under the responsibility of an engineer experienced in anchorages and concrete work.

The anchor is to be used only for multiple use for non-structural applications, the definition of multiple use according to the Member States is given in the informative Annex 1 of ETAG 001, Part 6.

Verifiable calculation notes and drawings are prepared taking account of the loads to be anchored.

The position of the anchor is indicated on the design drawings (e.g. position of the anchor relative to reinforcement or to supports).

The design of the fixture is such that in case of excessive slip or failure of one anchor the load can be transmitted to neighbouring anchors.

The design of anchorages under fire exposure has to consider the conditions given in the Technical Report TR 020 "Evaluation of anchorages in concrete concerning resistance to fire". The relevant characteristic values are given in Annex 4. The design method covers anchors with a fire attack from one side only. If the fire attack is from more than one side, the design method may be taken only, if the edge distance of the anchor is $c \geq 300$ mm.

Local spalling is possible at fire attack. To avoid any influence of the spalling on the anchorage, the concrete member must be designed according to prEN 1992-1-2. The members shall be made of concrete with quartzite additives and have to be protected from direct moisture; and the moisture content of the concrete has to be like in dry internal conditions respectively. The anchorage depth has to be increased for wet concrete by at least 30 mm compared to the given value in the approval.

4.3 Installation of anchors

The fitness for use of the anchor can only be assumed if the anchor is installed as follows:

- Anchor installation carried out by appropriately qualified personnel and under the supervision of the person responsible for technical matters of the site.
- Use of the anchor only as supplied by the manufacturer without exchanging the components of an anchor.
- Anchor installation in accordance with the manufacturer's specifications and drawings and using the appropriate tools.
- Checks before placing the anchor to ensure that the strength class of the concrete in which the anchor is to be placed is in the range given and is not lower than that of the concrete to which the characteristic loads apply.
- Check of concrete being well compacted, e.g. without significant voids.
- Edge distances and spacing not less than the specified values without minus tolerances.
- Positioning of the drill holes without damaging the reinforcement.
- In case of aborted hole: new drilling at a minimum distance away of twice the depth of the aborted hole or smaller distance if the aborted drill hole is filled with high strength mortar and if under shear or oblique tension load it is not in the direction of load application.
- Cleaning of the hole of drilling dust.
- Anchor installation such that the effective setting depth is complied with. This compliance is ensured, if the corresponding thickness of fixture is kept. For the anchor type FNA II 6xh_{ef} OE the loop has to sit direct at the concrete surface.

5 Responsibility of the manufacturer

The manufacturer is responsible to ensure that the information on the specific conditions according to 1 and 2 including Annexes referred to as well as section 4.2 and 4.3 is given to those who are concerned. This information may be made by reproduction of the respective parts of the European technical approval. In addition all installation data shall be shown clearly on the package and/or on an enclosed instruction sheet, preferably using illustration(s).

The minimum data required are:

- drill bit diameter,
- minimum effective anchorage depth,
- minimum hole depth,
- maximum thickness of fixture for the anchor type,
- information on the installation procedure, preferably by means of an illustration,
- reference to any special installation equipment needed,
- identification of the manufacturing batch.

All data shall be presented in a clear and explicit form.

Georg Feistel
Head of Department

beglaubigt:
Lange

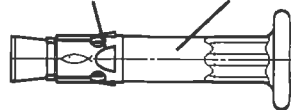
**Only for multiple use for non - structural applications
according to ETAG 001 part 6 annex 1**

Types:

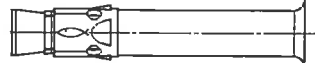
Material versions: steel; galvanised steel (galv.) $\geq 5 \mu\text{m}$ according to EN ISO 4042 or stainless steel (A4) or high corrosion resistant steel (C)

Expansion sleeve Cone bolt

FNA II 6x25/..
FNA II 6x30/..

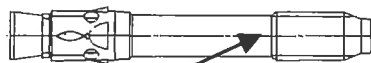


Marking galvanised steel (galv.):
"O" = $h_{ef} = 25 \text{ mm}$
"I" = $h_{ef} = 30 \text{ mm}$



Marking stainless steel: "A4" or "C"

FNA II 6x25 M6/..
FNA II 6x30 M6/..



Marking e.g.: 6/5
(thread size/thickness of fixture)

Marking all materials:

	A	Q	T	N	P	B	L	H	U
t_{fix}	5	10	15	20	25	30	35	40	45

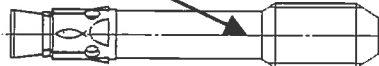
	D	V	S	W	X	E	M	Z	K
t_{fix}	50	55	60	65	70	75	80	85	90

	(A)	F	(B)	(D)	(E)	G	J
t_{fix}	95	100	105	110	115	120	125

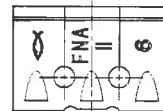
At $t_{fix} > 125 \text{ mm}$ the corresponding figure is marked.

8/5 no marking;
all others : 8/thickness of fixture

FNA II 6x25 M8/..
FNA II 6x30 M8/..

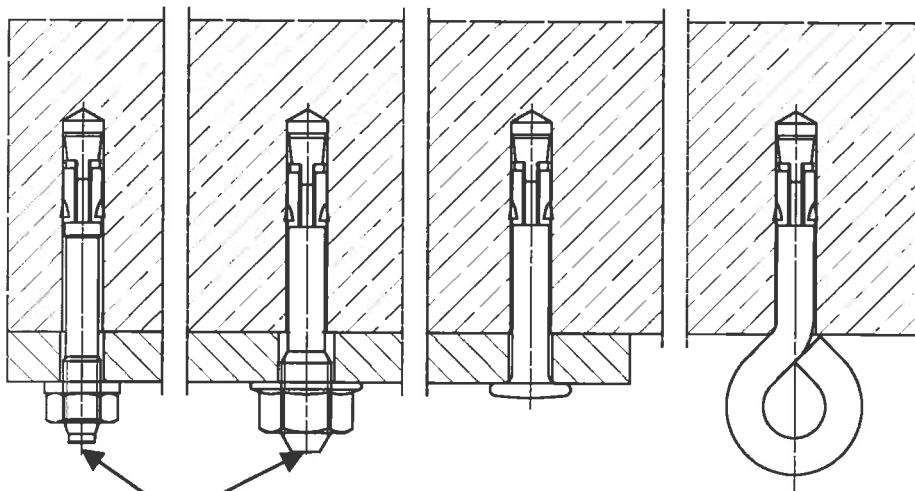
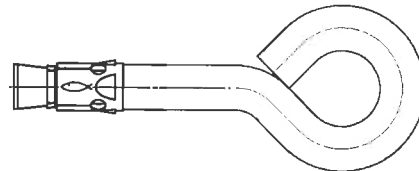


Marking on the expansion sleeve (or bolt)
e.g. galvanised steel (galv.):



For stainless steel additional
marking "A4" or "C"

FNA II 6x25 OE
FNA II 6x30 OE



Additional marking only for galvanised steel (galv.) at effective anchorage depth $h_{ef} = 25 \text{ mm}$
(centering, bar or point)

fischer nail anchor FNA II

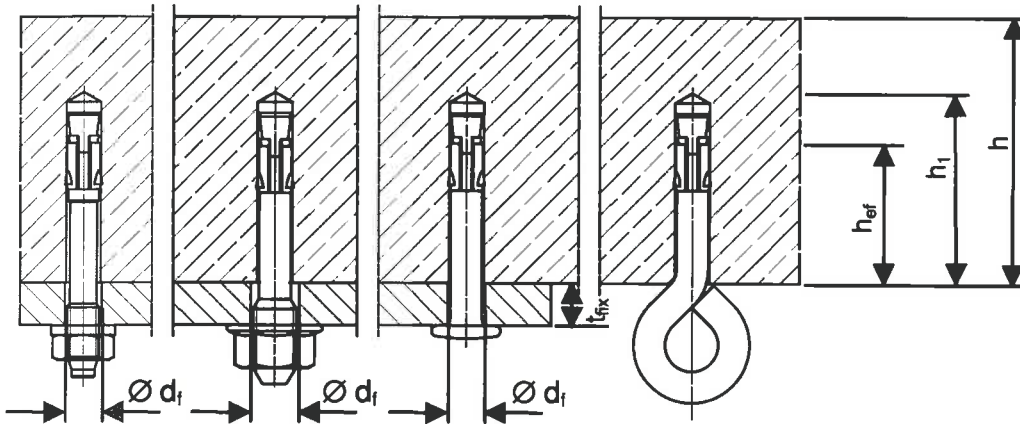
Product versions, intended use, material and marking

Annex 1

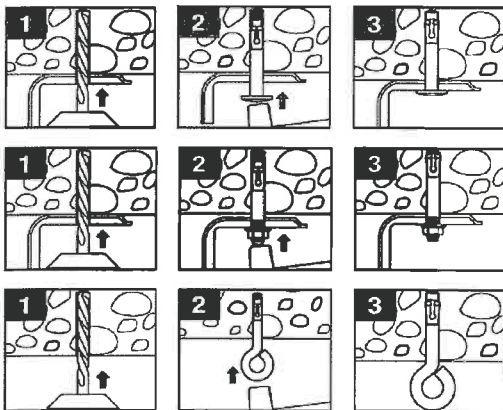
Table 1: Installation parameters

Type of anchor		FNA II 6x25/.. FNA II 6x25 M6/.. FNA II 6x25 M8/.. FNA II 6x25 OE	FNA II 6x30/.. FNA II 6x30 M6/.. FNA II 6x30 M8/.. FNA II 6x30 OE
Material versions		galv.	galv., A4, C
Nominal drill hole diameter	$d_o = [mm]$	6	
Cutting diameter of drill bit	$d_{cut} \leq [mm]$	6,4	
Effective anchorage depth	$h_{ef} \geq [mm]$	25	30
Depth of drill hole	$h_1 \geq [mm]$	35	40
Diameter of clearance hole in the fixture for all FNA II except for M8 and OE	$\varnothing d_f \leq [mm]$	7	
Diameter of clearance hole in the fixture for M8	$\varnothing d_f \leq [mm]$	9	
Max. torque moment for M6/M8	max. $T_{inst} [Nm]$	4	
Minimum thickness of concrete member	$h_{min} [mm]$	80	
Maximum thickness of fixture	max. $t_{fix} [mm]$	400	

Intended use



Installation instruction



fischer nail anchor FNA II

Product versions, intended use, material and marking

Annex 2

Table 2: Characteristic resistance of a fixing point¹⁾ for all load directions,
Design method C

Type of anchor		FNA II 6x25/.. FNA II 6x25 M6/.. FNA II 6x25 M8/..	FNA II 6x25 OE	FNA II 6x30 OE	FNA II 6x30/.. FNA II 6x30 M6/.. FNA II 6x30 M8/..
Material versions		galv.		galv., A4, C	
Effective anchorage depth	$h_{ef} \geq$ [mm]	25		30	
Partial safety factor	γ_M ³⁾ -	1,5			
Characteristic bending moment	$M_{RK,s}^0$ ⁴⁾ [Nm]	7,0 (8,0 for A4/C)	2)		7,0 (8,0 for A4/C)
Partial safety factor	γ_{Ms} ³⁾ -	1,25			
Optimised for maximum load					
Characteristic resistance C12/15	F_{Rk} [kN]	2,5	1,5		4
Characteristic resistance C20/25 to C50/60		3			5
Design value C12/15	F_{Rd} [kN]	1,7	1		2,7
Design value C20/25 bis C50/60		2			3,3
Corresponding spacing distance between fixing points ¹⁾⁵⁾	s for $c \geq$ [mm]	100			
		200			
Corresponding edge distance ⁵⁾	c for $s \geq$	100			
		200			
Optimised for minimum edge distance					
Characteristic resistance C12/15	F_{Rk} [kN]	1,2			
Characteristic resistance C20/25 to C50/60		1,2			1,5
Design value C12/15	F_{Rd} [kN]	0,8			
Design value C20/25 to C50/60		0,8			1
Corresponding spacing distance between fixing points ¹⁾	c for $s \geq$ [mm]	50			
		100			

¹⁾ A fixing point is defined as:

- a single anchor or
- a group of 2 anchors with spacing distance s with $50 \text{ mm} \leq s \leq 100 \text{ mm}$ or
- a group of 4 anchors with spacing distance s with $50 \text{ mm} \leq s \leq 100 \text{ mm}$

Using a fixing point according to the corresponding distance in table 2, the characteristic resistances given in 2 are valid for each anchor.

²⁾ For $M_{RK,s}^0$ is F_{Rk} to use.

³⁾ In absence of other national regulations.

⁴⁾ Characteristic bending moment $M_{RK,s}^0$ for the equation (5.5) in ETAG 001, Annex C.

⁵⁾ Intermediate values may be calculated by linear interpolation.

fischer nail anchor FNA II	Annex 3
Design method C, characteristic resistance	

Table 3: Characteristic resistance of a fixing point under fire exposure in C20/25 to C50/60, Design method C

Fire resistance class for all load directions ¹⁾ for $h_{ef} = 25$ mm							
Type of anchor	Spacing distance	Edge distance	Effective anchorage depth	Characteristic resistance $F_{Rk,fi}^0$ ²⁾ [kN]			
	$S_{cr,fi}$ [mm]	$C_{cr,fi}$ [mm]	h_{ef} [mm]	R 30	R 60	R 90	R 120
FNA II 6x25/..galv.	100	50	25	0,6	0,6	0,5	0,3
FNA II 6x25 M6/..galv. FNA II 6x25 M8/..galv.				0,4	0,3	0,3	
FNA II 6x25 OE galv.				0,3	0,2	0,2	0,1

Fire resistance class for all load directions ¹⁾ for $h_{ef} = 30$ mm							
Type of anchor	Spacing distance	Edge distance	Effective anchorage depth	Characteristic resistance $F_{Rk,fi}^0$ ²⁾ [kN]			
	$S_{cr,fi}$ [mm]	$C_{cr,fi}$ [mm]	h_{ef} [mm]	R 30	R 60	R 90	R 120
FNA II 6x30/..galv.	120	60	30	0,9	0,8	0,5	0,3
	100	50		0,6	0,6		
FNA II 6x30 M6/..galv. FNA II 6x30 M8/..galv.	120	60		0,4	0,3	0,3	0,3
	100	50					
FNA II 6x30/..A4/C	120	60		0,9	0,9	0,9	0,7
	100	50		0,6	0,6	0,6	0,5
FNA II 6x30 M6/..A4/C FNA II 6x30 M8/..A4/C	120	60		0,9	0,9	0,9	0,7
	100	50		0,6	0,6	0,6	0,5
FNA II 6x30 OE A4/C	100	50		0,3	0,2	0,2	0,1

Fire resistance class for all load directions ¹⁾ for $h_{ef} = 30+5^{3)}$ mm							
Type of anchor	Spacing distance	Edge distance	Effective anchorage depth	Characteristic resistance $F_{Rk,fi}^0$ ²⁾ [kN]			
	$S_{cr,fi}$ [mm]	$C_{cr,fi}$ [mm]	h_{ef} [mm]	R 30	R 60	R 90	R 120
FNA II 6x30/..A4/C FNA II 6x30 M6/..A4/C FNA II 6x30 M8/..A4/C	140	70	$30+5^{3)}$	1,3	1,3	1,0	0,7
	100	50		0,7	0,7	0,7	0,6

¹⁾ Only valid with annex 3 of this approval and the conditions according to TR 020.

²⁾ In absence of other national regulations, a partial safety factor for the resistance of $\gamma_{m,fi} = 1,0$ under fire stress is recommended.

³⁾ The effective anchorage depth $h_{ef} = 30+5$ mm can be reached, when the anchor FNA II 6x30/.. is installed 5 mm deeper ($h_1 \geq 45$ mm) and usable length is 5 mm lengthened than the values given in Annex 1.

In case of fire attack from more than one side, the edge distance shall be ≥ 300 mm.

fischer nail anchor FNA II	Annex 4
Design method C, Characteristic resistance under fire exposure	