

Rändelknöpfe mit Innengewinde

Artikelbeschreibung/Produktabbildungen



Beschreibung

Werkstoff:

Thermoplast, schwarzgrau.

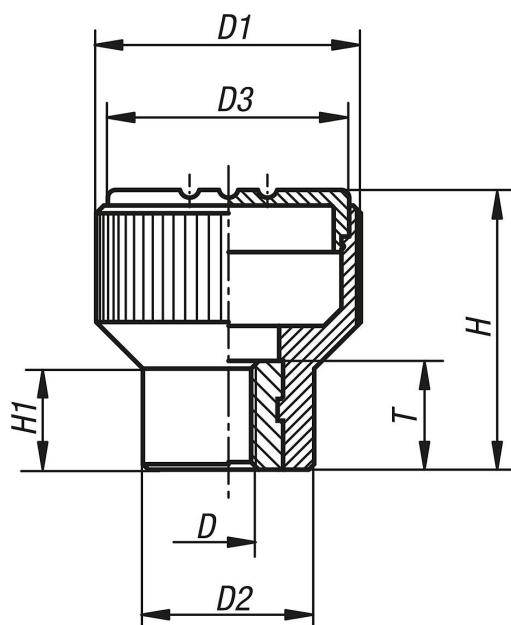
Buchse bzw. Gewindebolzen aus Stahl 5.8 oder Edelstahl 1.4305.

Ausführung:

Stahl blau passiviert oder Edelstahl blank.



Zeichnungen



Artikelübersicht

| Bestellnummer | Material Komponente | Farbe Deckel | D | D1 | D2 | D3 | H | H1 | T |
|---------------|---------------------|-----------------------|----|----|----|----|----|----|----|
| K0247.104 | Stahl | schwarzgrau RAL 7021 | M4 | 21 | 14 | 19 | 22 | 8 | 10 |
| K0247.1041 | Stahl | reinorange RAL 2004 | M4 | 21 | 14 | 19 | 22 | 8 | 10 |
| K0247.1042 | Stahl | signalgrün RAL 6032 | M4 | 21 | 14 | 19 | 22 | 8 | 10 |
| K0247.1043 | Stahl | verkehrsblau RAL 5017 | M4 | 21 | 14 | 19 | 22 | 8 | 10 |
| K0247.1045 | Stahl | lichtgrau RAL 7035 | M4 | 21 | 14 | 19 | 22 | 8 | 10 |
| K0247.1046 | Stahl | verkehrsrot RAL 3020 | M4 | 21 | 14 | 19 | 22 | 8 | 10 |
| K0247.1047 | Stahl | rapsgelb RAL 1021 | M4 | 21 | 14 | 19 | 22 | 8 | 10 |
| K0247.105 | Stahl | schwarzgrau RAL 7021 | M5 | 21 | 14 | 19 | 22 | 8 | 10 |
| K0247.1051 | Stahl | reinorange RAL 2004 | M5 | 21 | 14 | 19 | 22 | 8 | 10 |
| K0247.1052 | Stahl | signalgrün RAL 6032 | M5 | 21 | 14 | 19 | 22 | 8 | 10 |
| K0247.1053 | Stahl | verkehrsblau RAL 5017 | M5 | 21 | 14 | 19 | 22 | 8 | 10 |
| K0247.1055 | Stahl | lichtgrau RAL 7035 | M5 | 21 | 14 | 19 | 22 | 8 | 10 |
| K0247.1056 | Stahl | verkehrsrot RAL 3020 | M5 | 21 | 14 | 19 | 22 | 8 | 10 |

Rändelknöpfe mit Innengewinde

Artikelübersicht

| Bestellnummer | Material Komponente | Farbe Deckel | D | D1 | D2 | D3 | H | H1 | T |
|---------------|---------------------|-----------------------|-----|----|----|----|----|-----|----|
| K0247.1057 | Stahl | rapsgelb RAL 1021 | M5 | 21 | 14 | 19 | 22 | 8 | 10 |
| K0247.106 | Stahl | schwarzgrau RAL 7021 | M6 | 21 | 14 | 19 | 22 | 8 | 10 |
| K0247.1061 | Stahl | reinorange RAL 2004 | M6 | 21 | 14 | 19 | 22 | 8 | 10 |
| K0247.1062 | Stahl | signalgrün RAL 6032 | M6 | 21 | 14 | 19 | 22 | 8 | 10 |
| K0247.1063 | Stahl | verkehrsblau RAL 5017 | M6 | 21 | 14 | 19 | 22 | 8 | 10 |
| K0247.1065 | Stahl | lichtgrau RAL 7035 | M6 | 21 | 14 | 19 | 22 | 8 | 10 |
| K0247.1066 | Stahl | verkehrsrot RAL 3020 | M6 | 21 | 14 | 19 | 22 | 8 | 10 |
| K0247.1067 | Stahl | rapsgelb RAL 1021 | M6 | 21 | 14 | 19 | 22 | 8 | 10 |
| K0247.208 | Stahl | schwarzgrau RAL 7021 | M8 | 26 | 18 | 23 | 26 | 9,5 | 14 |
| K0247.2081 | Stahl | reinorange RAL 2004 | M8 | 26 | 18 | 23 | 26 | 9,5 | 14 |
| K0247.2082 | Stahl | signalgrün RAL 6032 | M8 | 26 | 18 | 23 | 26 | 9,5 | 14 |
| K0247.2083 | Stahl | verkehrsblau RAL 5017 | M8 | 26 | 18 | 23 | 26 | 9,5 | 14 |
| K0247.2085 | Stahl | lichtgrau RAL 7035 | M8 | 26 | 18 | 23 | 26 | 9,5 | 14 |
| K0247.2086 | Stahl | verkehrsrot RAL 3020 | M8 | 26 | 18 | 23 | 26 | 9,5 | 14 |
| K0247.2087 | Stahl | rapsgelb RAL 1021 | M8 | 26 | 18 | 23 | 26 | 9,5 | 14 |
| K0247.308 | Stahl | schwarzgrau RAL 7021 | M8 | 34 | 22 | 31 | 36 | 13 | 14 |
| K0247.3081 | Stahl | reinorange RAL 2004 | M8 | 34 | 22 | 31 | 36 | 13 | 14 |
| K0247.3082 | Stahl | signalgrün RAL 6032 | M8 | 34 | 22 | 31 | 36 | 13 | 14 |
| K0247.3083 | Stahl | verkehrsblau RAL 5017 | M8 | 34 | 22 | 31 | 36 | 13 | 14 |
| K0247.3085 | Stahl | lichtgrau RAL 7035 | M8 | 34 | 22 | 31 | 36 | 13 | 14 |
| K0247.3086 | Stahl | verkehrsrot RAL 3020 | M8 | 34 | 22 | 31 | 36 | 13 | 14 |
| K0247.3087 | Stahl | rapsgelb RAL 1021 | M8 | 34 | 22 | 31 | 36 | 13 | 14 |
| K0247.310 | Stahl | schwarzgrau RAL 7021 | M10 | 34 | 22 | 31 | 36 | 13 | 14 |
| K0247.3101 | Stahl | reinorange RAL 2004 | M10 | 34 | 22 | 31 | 36 | 13 | 14 |
| K0247.3102 | Stahl | signalgrün RAL 6032 | M10 | 34 | 22 | 31 | 36 | 13 | 14 |
| K0247.3103 | Stahl | verkehrsblau RAL 5017 | M10 | 34 | 22 | 31 | 36 | 13 | 14 |
| K0247.3105 | Stahl | lichtgrau RAL 7035 | M10 | 34 | 22 | 31 | 36 | 13 | 14 |
| K0247.3106 | Stahl | verkehrsrot RAL 3020 | M10 | 34 | 22 | 31 | 36 | 13 | 14 |
| K0247.3107 | Stahl | rapsgelb RAL 1021 | M10 | 34 | 22 | 31 | 36 | 13 | 14 |
| K0247.0104 | Edelstahl | schwarzgrau RAL 7021 | M4 | 21 | 14 | 19 | 22 | 8 | 10 |
| K0247.01041 | Edelstahl | reinorange RAL 2004 | M4 | 21 | 14 | 19 | 22 | 8 | 10 |
| K0247.01042 | Edelstahl | signalgrün RAL 6032 | M4 | 21 | 14 | 19 | 22 | 8 | 10 |
| K0247.01043 | Edelstahl | verkehrsblau RAL 5017 | M4 | 21 | 14 | 19 | 22 | 8 | 10 |
| K0247.01045 | Edelstahl | lichtgrau RAL 7035 | M4 | 21 | 14 | 19 | 22 | 8 | 10 |
| K0247.01046 | Edelstahl | verkehrsrot RAL 3020 | M4 | 21 | 14 | 19 | 22 | 8 | 10 |
| K0247.01047 | Edelstahl | rapsgelb RAL 1021 | M4 | 21 | 14 | 19 | 22 | 8 | 10 |
| K0247.0105 | Edelstahl | schwarzgrau RAL 7021 | M5 | 21 | 14 | 19 | 22 | 8 | 10 |
| K0247.01051 | Edelstahl | reinorange RAL 2004 | M5 | 21 | 14 | 19 | 22 | 8 | 10 |
| K0247.01052 | Edelstahl | signalgrün RAL 6032 | M5 | 21 | 14 | 19 | 22 | 8 | 10 |
| K0247.01053 | Edelstahl | verkehrsblau RAL 5017 | M5 | 21 | 14 | 19 | 22 | 8 | 10 |
| K0247.01055 | Edelstahl | lichtgrau RAL 7035 | M5 | 21 | 14 | 19 | 22 | 8 | 10 |
| K0247.01056 | Edelstahl | verkehrsrot RAL 3020 | M5 | 21 | 14 | 19 | 22 | 8 | 10 |
| K0247.01057 | Edelstahl | rapsgelb RAL 1021 | M5 | 21 | 14 | 19 | 22 | 8 | 10 |
| K0247.0106 | Edelstahl | schwarzgrau RAL 7021 | M6 | 21 | 14 | 19 | 22 | 8 | 10 |
| K0247.01061 | Edelstahl | reinorange RAL 2004 | M6 | 21 | 14 | 19 | 22 | 8 | 10 |
| K0247.01062 | Edelstahl | signalgrün RAL 6032 | M6 | 21 | 14 | 19 | 22 | 8 | 10 |
| K0247.01063 | Edelstahl | verkehrsblau RAL 5017 | M6 | 21 | 14 | 19 | 22 | 8 | 10 |
| K0247.01065 | Edelstahl | lichtgrau RAL 7035 | M6 | 21 | 14 | 19 | 22 | 8 | 10 |
| K0247.01066 | Edelstahl | verkehrsrot RAL 3020 | M6 | 21 | 14 | 19 | 22 | 8 | 10 |
| K0247.01067 | Edelstahl | rapsgelb RAL 1021 | M6 | 21 | 14 | 19 | 22 | 8 | 10 |
| K0247.0208 | Edelstahl | schwarzgrau RAL 7021 | M8 | 26 | 18 | 23 | 26 | 9,5 | 14 |
| K0247.02081 | Edelstahl | reinorange RAL 2004 | M8 | 26 | 18 | 23 | 26 | 9,5 | 14 |
| K0247.02082 | Edelstahl | signalgrün RAL 6032 | M8 | 26 | 18 | 23 | 26 | 9,5 | 14 |
| K0247.02083 | Edelstahl | verkehrsblau RAL 5017 | M8 | 26 | 18 | 23 | 26 | 9,5 | 14 |
| K0247.02085 | Edelstahl | lichtgrau RAL 7035 | M8 | 26 | 18 | 23 | 26 | 9,5 | 14 |
| K0247.02086 | Edelstahl | verkehrsrot RAL 3020 | M8 | 26 | 18 | 23 | 26 | 9,5 | 14 |
| K0247.02087 | Edelstahl | rapsgelb RAL 1021 | M8 | 26 | 18 | 23 | 26 | 9,5 | 14 |
| K0247.0308 | Edelstahl | schwarzgrau RAL 7021 | M8 | 34 | 22 | 31 | 36 | 13 | 14 |
| K0247.03081 | Edelstahl | reinorange RAL 2004 | M8 | 34 | 22 | 31 | 36 | 13 | 14 |
| K0247.03082 | Edelstahl | signalgrün RAL 6032 | M8 | 34 | 22 | 31 | 36 | 13 | 14 |
| K0247.03083 | Edelstahl | verkehrsblau RAL 5017 | M8 | 34 | 22 | 31 | 36 | 13 | 14 |
| K0247.03085 | Edelstahl | lichtgrau RAL 7035 | M8 | 34 | 22 | 31 | 36 | 13 | 14 |

Rändelknöpfe mit Innengewinde

Artikelübersicht

| Bestellnummer | Material Komponente | Farbe Deckel | D | D1 | D2 | D3 | H | H1 | T |
|---------------|------------------------|-----------------------|-----|----|----|----|----|----|----|
| K0247.03086 | Edelstahl | verkehrsrot RAL 3020 | M8 | 34 | 22 | 31 | 36 | 13 | 14 |
| K0247.03087 | Edelstahl | rapsgelb RAL 1021 | M8 | 34 | 22 | 31 | 36 | 13 | 14 |
| K0247.0310 | Edelstahl | schwarzgrau RAL 7021 | M10 | 34 | 22 | 31 | 36 | 13 | 14 |
| K0247.03101 | Edelstahl | reinerorange RAL 2004 | M10 | 34 | 22 | 31 | 36 | 13 | 14 |
| K0247.03102 | Edelstahl | signalgrün RAL 6032 | M10 | 34 | 22 | 31 | 36 | 13 | 14 |
| K0247.03103 | Edelstahl | verkehrsblau RAL 5017 | M10 | 34 | 22 | 31 | 36 | 13 | 14 |
| K0247.03105 | Edelstahl | lichtgrau RAL 7035 | M10 | 34 | 22 | 31 | 36 | 13 | 14 |
| K0247.03106 | Edelstahl | verkehrsrot RAL 3020 | M10 | 34 | 22 | 31 | 36 | 13 | 14 |
| K0247.03107 | Edelstahl | rapsgelb RAL 1021 | M10 | 34 | 22 | 31 | 36 | 13 | 14 |