

**Robert Bosch Power Tools GmbH**  
70538 Stuttgart  
GERMANY

[www.bosch-pt.com](http://www.bosch-pt.com)

**1 609 92A 40S** (2017.11) 0 / 54



1 609 92A 40S

# GBH 2-23 REA Professional

 **BOSCH**

- en** Original instructions
- cn** 正本使用说明书
- tw** 原始使用說明書
- ko** 사용 설명서 원본
- th** หนังสือคู่มือการใช้งานฉบับต้นแบบ
- id** Petunjuk-Petunjuk untuk Penggunaan Orisinal
- vi** Bản gốc hướng dẫn sử dụng

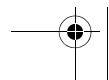
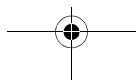
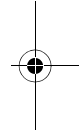
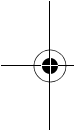


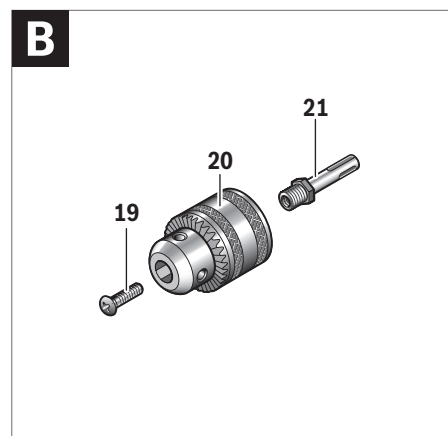
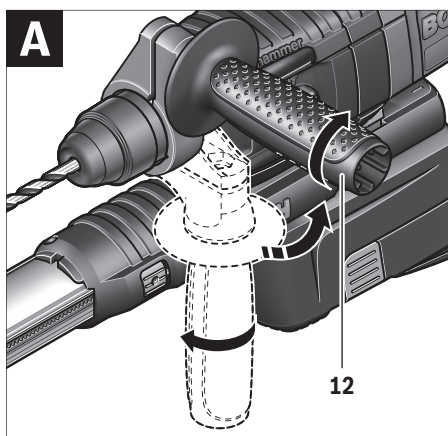
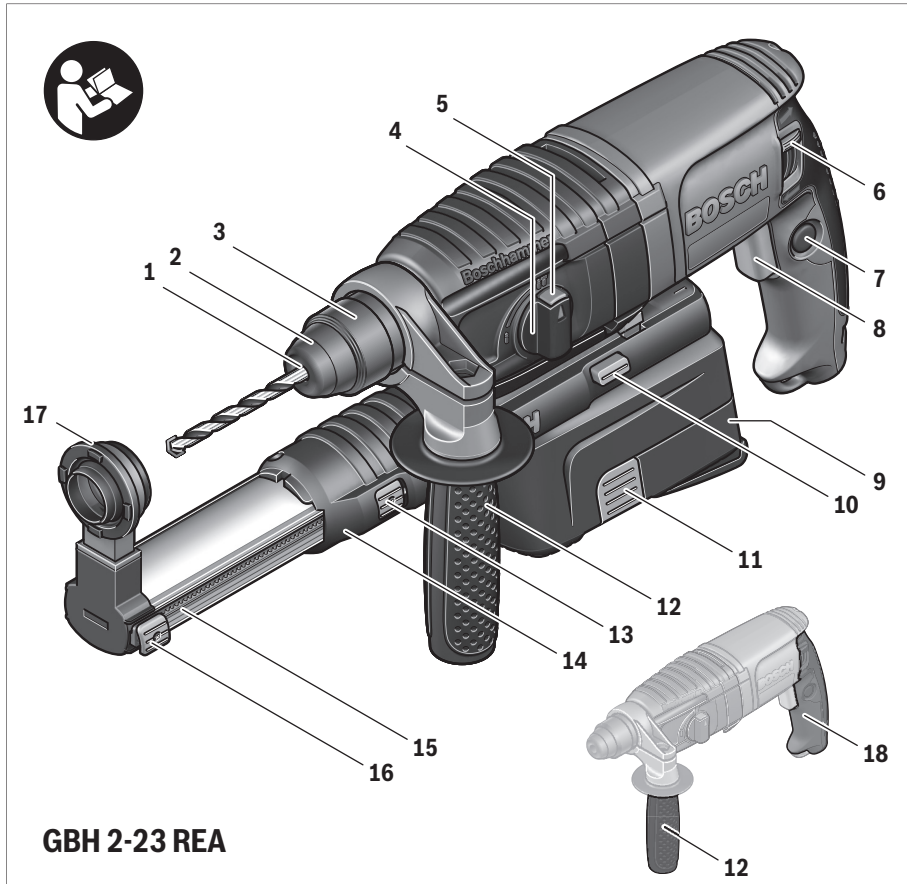


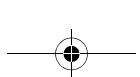
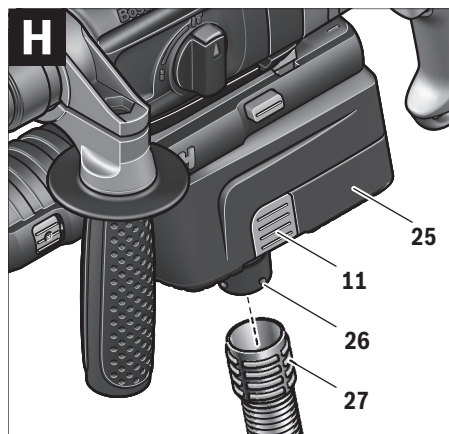
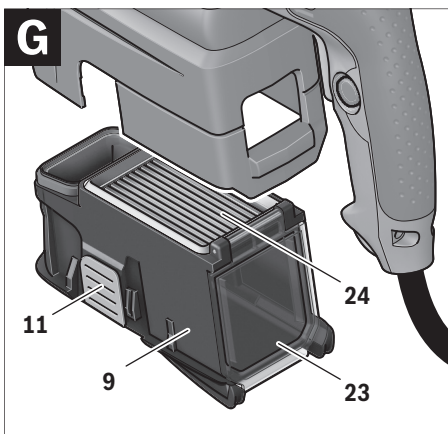
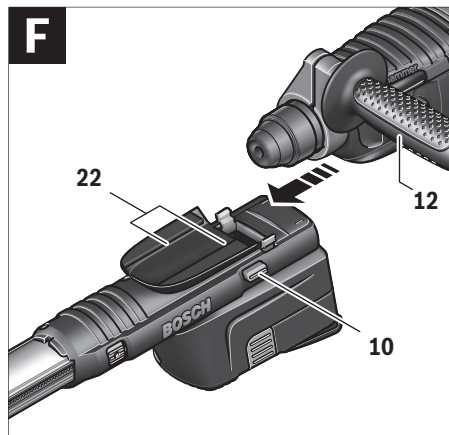
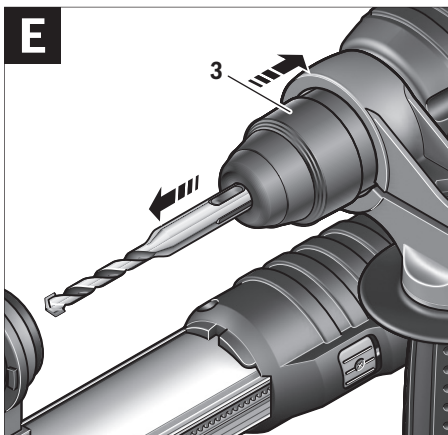
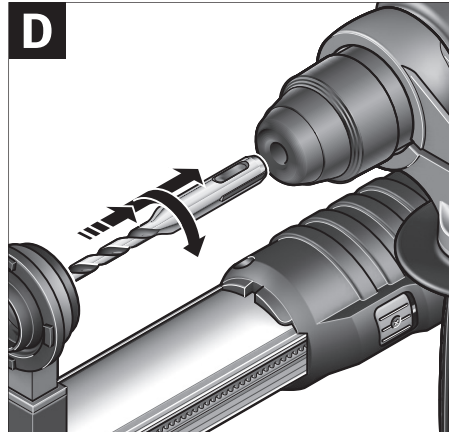
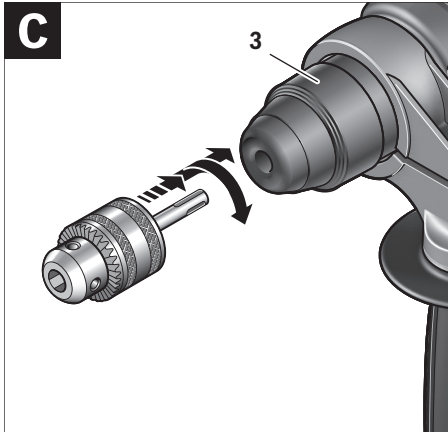
2 |

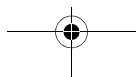
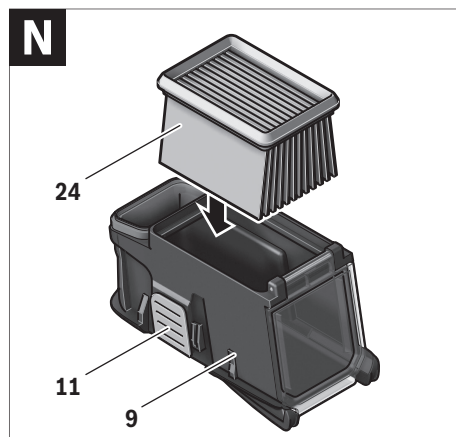
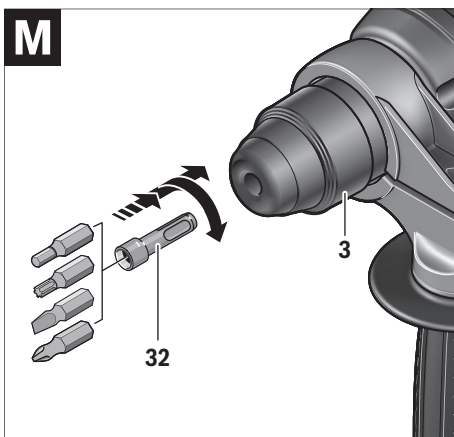
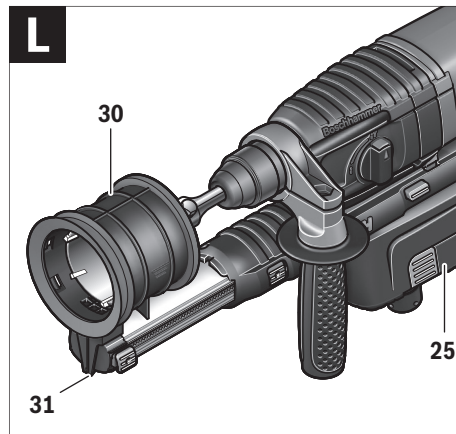
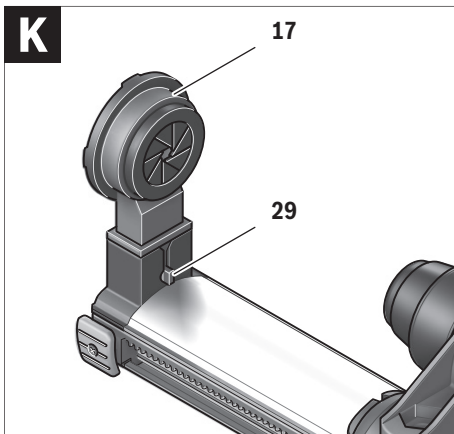
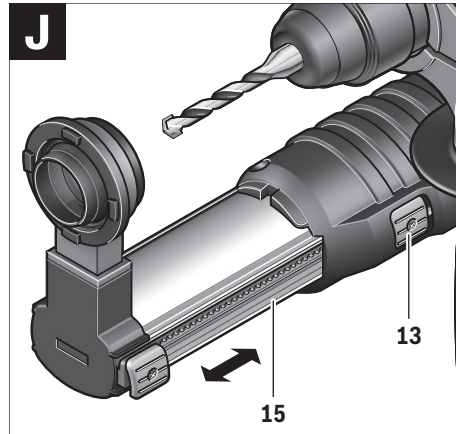
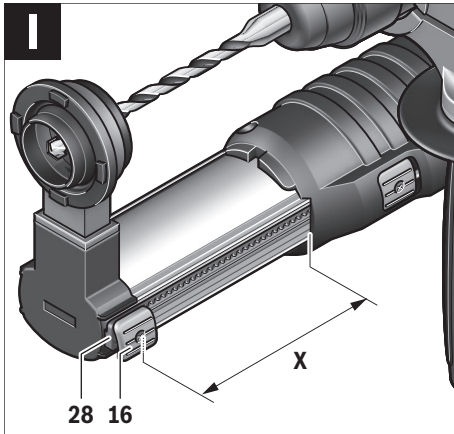


English ..... Page 6  
 中文 . . . . . 页 14  
 中文 . . . . . 頁 20  
 한국어 . . . . . 페이지 26  
 ภาษาไทย . . . . . หน้า 32  
 Bahasa Indonesia . . . . . Halaman 38  
 Tiếng Việt . . . . . Trang 45









## English

### Safety Notes

#### General Power Tool Safety Warnings

**⚠ WARNING** Read all safety warnings and all instructions. Failure to follow the warnings and instructions may result in electric shock, fire and/or serious injury.

**Save all warnings and instructions for future reference.**

The term "power tool" in the warnings refers to your mains-operated (corded) power tool or battery-operated (cordless) power tool.

#### Work area safety

- ▶ **Keep work area clean and well lit.** Cluttered or dark areas invite accidents.
- ▶ **Do not operate power tools in explosive atmospheres, such as in the presence of flammable liquids, gases or dust.** Power tools create sparks which may ignite the dust or fumes.
- ▶ **Keep children and bystanders away while operating a power tool.** Distractions can cause you to lose control.

#### Electrical safety

- ▶ **Power tool plugs must match the outlet. Never modify the plug in any way. Do not use any adapter plugs with earthed (grounded) power tools.** Unmodified plugs and matching outlets will reduce risk of electric shock.
- ▶ **Avoid body contact with earthed or grounded surfaces, such as pipes, radiators, ranges and refrigerators.** There is an increased risk of electric shock if your body is earthed or grounded.
- ▶ **Do not expose power tools to rain or wet conditions.** Water entering a power tool will increase the risk of electric shock.
- ▶ **Do not abuse the cord. Never use the cord for carrying, pulling or unplugging the power tool. Keep cord away from heat, oil, sharp edges and moving parts.** Damaged or entangled cords increase the risk of electric shock.
- ▶ **When operating a power tool outdoors, use an extension cord suitable for outdoor use.** Use of a cord suitable for outdoor use reduces the risk of electric shock.
- ▶ **If operating a power tool in a damp location is unavoidable, use a residual current device (RCD) protected supply.** Use of an RCD reduces the risk of electric shock.

#### Personal safety

- ▶ **Stay alert, watch what you are doing and use common sense when operating a power tool. Do not use a power tool while you are tired or under the influence of drugs, alcohol or medication.** A moment of inattention while operating power tools may result in serious personal injury.
- ▶ **Use personal protective equipment. Always wear eye protection.** Protective equipment such as dust mask, non-skid safety shoes, hard hat, or hearing protection used for appropriate conditions will reduce personal injuries.

▶ **Prevent unintentional starting. Ensure the switch is in the off-position before connecting to power source and/or battery pack, picking up or carrying the tool.**

Carrying power tools with your finger on the switch or energising power tools that have the switch on invites accidents.

- ▶ **Remove any adjusting key or wrench before turning the power tool on.** A wrench or a key left attached to a rotating part of the power tool may result in personal injury.
- ▶ **Do not overreach. Keep proper footing and balance at all times.** This enables better control of the power tool in unexpected situations.
- ▶ **Dress properly. Do not wear loose clothing or jewellery. Keep your hair, clothing and gloves away from moving parts.** Loose clothes, jewellery or long hair can be caught in moving parts.
- ▶ **If devices are provided for the connection of dust extraction and collection facilities, ensure these are connected and properly used.** Use of dust collection can reduce dust-related hazards.

#### Power tool use and care

- ▶ **Do not force the power tool. Use the correct power tool for your application.** The correct power tool will do the job better and safer at the rate for which it was designed.
- ▶ **Do not use the power tool if the switch does not turn it on and off.** Any power tool that cannot be controlled with the switch is dangerous and must be repaired.
- ▶ **Disconnect the plug from the power source and/or the battery pack from the power tool before making any adjustments, changing accessories, or storing power tools.** Such preventive safety measures reduce the risk of starting the power tool accidentally.
- ▶ **Store idle power tools out of the reach of children and do not allow persons unfamiliar with the power tool or these instructions to operate the power tool.** Power tools are dangerous in the hands of untrained users.
- ▶ **Maintain power tools. Check for misalignment or binding of moving parts, breakage of parts and any other condition that may affect the power tool's operation. If damaged, have the power tool repaired before use.** Many accidents are caused by poorly maintained power tools.
- ▶ **Keep cutting tools sharp and clean.** Properly maintained cutting tools with sharp cutting edges are less likely to bind and are easier to control.
- ▶ **Use the power tool, accessories and tool bits etc. in accordance with these instructions, taking into account the working conditions and the work to be performed.** Use of the power tool for operations different from those intended could result in a hazardous situation.

#### Service

- ▶ **Have your power tool serviced by a qualified repair person using only identical replacement parts.** This will ensure that the safety of the power tool is maintained.

### Hammer Safety Warnings

- ▶ **Wear ear protectors.** Exposure to noise can cause hearing loss.
- ▶ **Use auxiliary handle(s), if supplied with the tool.** Loss of control can cause personal injury.
- ▶ **Hold power tool by insulated gripping surfaces, when performing an operation where the cutting accessory may contact hidden wiring or its own cord.** Cutting accessory contacting a "live" wire may make exposed metal parts of the power tool "live" and could give the operator an electric shock.
- ▶ **Use suitable detectors to determine if utility lines are hidden in the work area or call the local utility company for assistance.** Contact with electric lines can lead to fire and electric shock. Damaging a gas line can lead to explosion. Penetrating a water line causes property damage or may cause an electric shock.
- ▶ **When working with the machine, always hold it firmly with both hands and provide for a secure stance.** The power tool is guided more secure with both hands.
- ▶ **Secure the workpiece.** A workpiece clamped with clamping devices or in a vice is held more secure than by hand.
- ▶ **Always wait until the machine has come to a complete stop before placing it down.** The tool insert can jam and lead to loss of control over the power tool.

**Products sold in GB only:** Your product is fitted with an BS 1363/A approved electric plug with internal fuse (ASTA approved to BS 1362).

If the plug is not suitable for your socket outlets, it should be cut off and an appropriate plug fitted in its place by an authorised customer service agent. The replacement plug should have the same fuse rating as the original plug.

The severed plug must be disposed of to avoid a possible shock hazard and should never be inserted into a mains socket elsewhere.

### Product Description and Specifications



**Read all safety warnings and all instructions.** Failure to follow the warnings and instructions may result in electric shock, fire and/or serious injury.

#### Intended Use

The machine is intended for hammer drilling in concrete, brick and stone. It is also suitable for drilling without impact in wood, metal, ceramic and plastic. Machines with electronic control and right/left rotation are also suitable for screwdriving.

### Product Features

The numbering of the product features refers to the illustration of the machine on the graphics page.

- 1 SDS-plus tool holder
- 2 Dust protection cap
- 3 Locking sleeve
- 4 Selector switch for drilling/hammer drilling
- 5 Release button for drilling/hammer drilling selector switch
- 6 Rotational direction switch
- 7 Lock-on button for On/Off switch
- 8 On/Off switch
- 9 Dust box, complete
- 10 Release button of the dust extraction
- 11 Unlocking button of the dust box
- 12 Auxiliary handle (insulated gripping surface)
- 13 Button for adjustment of the telescopic guide
- 14 Dust extraction
- 15 Telescopic guide
- 16 Button for depth stop adjustment
- 17 Dust collector for drill bit
- 18 Handle (insulated gripping surface)
- 19 Securing screw for key type drill chuck\*
- 20 Key type drill chuck\*
- 21 SDS-plus adapter shank for drill chuck\*
- 22 Guide groove of the dust extraction
- 23 Dust box flap
- 24 Filter element
- 25 Adapter box for external dust extraction\*
- 26 Vacuum connection\*
- 27 Vacuum hose\*
- 28 Depth stop
- 29 Release button of the dust collector
- 30 Dust collector for core bits\*
- 31 Latching projection of the dust collector\*
- 32 Universal bit holder with SDS-plus shank\*

**\*Accessories shown or described are not part of the standard delivery scope of the product. A complete overview of accessories can be found in our accessories program.**

8 | English

**Technical Data**

Rotary Hammer	GBH 2-23 REA	
Article number		3 611 B50 5..
Speed control		●
Right/left rotation		●
Dust Extraction		●
Rated power input	W	710
Impact rate	min <sup>-1</sup>	0 – 4400
Impact energy per stroke according to EPTA-Procedure 05/2009	J	2.5
Speed	min <sup>-1</sup>	0 – 1 000
Tool holder		SDS-plus
Spindle collar diameter	mm	43 (Euro-Norm)
Maximum drilling diameter without dust extraction:		
– Concrete	mm	23
– Brickwork (with core bit)	mm	68
– Steel	mm	13
– Wood	mm	30
Maximum drilling diameter with dust extraction:		
– Concrete	mm	16
– Brickwork (with core bit)	mm	68
Suction capacity	l/min	450
Dust box capacity (for level drilling)		
– Drill hole 6 x 30 mm	pce.	100
– Drill hole 8 x 30 mm	pce.	60
– Drill hole 12 x 50 mm	pce.	16
Weight according to EPTA-Procedure 01:2014	kg	3.6
Weight without dust extraction	kg	2.9
Protection class		□/II

The values given are valid for a nominal voltage [U] of 230 V. For different voltages and models for specific countries, these values can vary.

**Assembly**

- ▶ **Before any work on the machine itself, pull the mains plug.**

**Auxiliary Handle**

- ▶ **Operate your machine only with the auxiliary handle 12.**

**Changing the position of the auxiliary handle (see figure A)**

The auxiliary handle **12** can be set to any position for a secure and low-fatigue working posture.

- Turn the bottom part of the auxiliary handle **12** in counter-clockwise direction and swivel the auxiliary handle **12** to the desired position. Then retighten the bottom part of the auxiliary handle **12** by turning in clockwise direction.

**Selecting Drill Chucks and Tools**

For hammer drilling and chiselling (chiselling only with MV 200 accessory), SDS-plus tools are required that are inserted in the SDS-plus drill chuck.

For drilling without impact in wood, metal, ceramic and plastic as well as for screwdriving, tools without SDS-plus are used (e.g., drill bits with cylindrical shank). For these tools, a keyless chuck or a key type drill chuck are required.

**Changing the Key Type Drill Chuck**

To work with tools without SDS-plus (e.g., drills with cylindrical shank), a suitable drill chuck must be mounted (key type drill chuck or keyless chuck, accessories).

**Mounting the Key Type Drill Chuck (see figure B)**

- Screw the SDS-plus adapter shank **21** into a key type drill chuck **20**. Secure the key type drill chuck **20** with the securing screw **19**. **Please observe that the securing screw has a left-hand thread.**

**Inserting the Key Type Drill Chuck (see figure C)**

- Clean the shank end of the adapter shank and apply a light coat of grease.
- Insert the key type drill chuck with the adapter shank into the tool holder with a turning motion until it automatically locks.
- Check the locking effect by pulling the key type drill chuck.



### Removing the Key Type Drill Chuck

- Push the locking sleeve **3** toward the rear and pull out the key type drill chuck **20**.

### Changing the Tool

The dust protection cap **2** largely prevents the entry of drilling dust into the tool holder during operation. When inserting the tool, take care that the dust protection cap **2** is not damaged.

- ▶ **A damaged dust protection cap should be changed immediately. We recommend having this carried out by an after-sales service.**

### Inserting SDS-plus Drilling Tools (see figure D)

The SDS-plus drill chuck allows for simple and convenient changing of drilling tools without the use of additional tools.

- Clean and lightly grease the shank end of the tool.
- Insert the tool in a twisting manner into the tool holder until it latches itself.
- Check the latching by pulling the tool.

As a requirement of the system, the SDS-plus drilling tool can move freely. This causes a certain radial run-out at no-load, which has no effect on the accuracy of the drill hole, as the drill bit centres itself upon drilling.

### Removing SDS-plus Drilling Tools (see figure E)

- Push back the locking sleeve **3** and remove the tool.

### Inserting Drilling Tools without SDS-plus

**Note:** Do not use tools without SDS-plus for hammer drilling or chiselling! Tools without SDS-plus and their drill chucks are damaged by hammer drilling or chiselling.

- Insert a key type drill chuck **20** (see “Changing the Key Type Drill Chuck”, page 8).
- Open the key type drill chuck **20** by turning until the tool can be inserted. Insert the tool.
- Insert the chuck key into the corresponding holes of the key type drill chuck **20** and clamp the tool uniformly.
- Set the selector switch **4** to the “Drilling” symbol.

### Removing Drilling Tools without SDS-plus

- Turn the sleeve of the key type drill chuck **20** with the drill chuck key in anticlockwise direction until the drilling tool can be removed.

### Dust Extraction

- ▶ Dust from materials such as lead-containing coatings, some wood types, minerals and metal can be harmful to one’s health. Touching or breathing-in the dust can cause allergic reactions and/or lead to respiratory infections of the user or bystanders.

Certain dust, such as oak or beech dust, is considered carcinogenic, especially in connection with wood-treatment additives (chromate, wood preservative). Materials containing asbestos may only be worked by specialists.

- As far as possible, use a dust extraction system suitable for the material.
- Provide for good ventilation of the working place.
- It is recommended to wear a P2 filter-class respirator.

Observe the relevant regulations in your country for the materials to be worked.

- ▶ **Prevent dust accumulation at the workplace.** Dust can easily ignite.

- ▶ **Warning! Danger of fire! Do not work metal or wooden materials with the dust extraction mounted.** Hot metal chips can self-ignite or ignite parts of the dust extraction.

**Note:** Do not use the dust extraction **14** when chiselling or screwdriving.

The dust extraction **14** retracts while working, so that the dust collector is always kept close to structural surface being drilled. The dust extraction automatically switches on and off with the power tool.

To achieve optimum extraction results, please observe the following notes:

- The drilling tool being used may not project over the dust collector **17** or **30** (Example for an SDS-plus drill bit: Max. total length approx. 160 mm, working length approx. 100 mm).
- Pay attention that the dust collector faces flush against the workpiece or the wall. At the same time, this makes working at a right angle easier.
- After reaching the requested drilling depth, first pull the drill bit out of the drill hole and then switch the machine off.
- Check the condition of the filter element **24** regularly. Replace a damaged filter element immediately.

### Mounting/Removing the Dust Extraction (see figure F)

- To remove the dust extraction, push the release button **10** and pull off the dust extraction toward the front. If required, pivot the auxiliary handle **12** to the side.
- To mount the dust extraction **14**, slide it via the guide grooves **22** onto the support guide of the machine until it can be heard to engage.

### Integrated Dust Extraction with Dust Box (see figure G)

The filling level of the dust box **9** can easily be checked through the transparent flap **23**.

Empty the dust collector in good time, otherwise the suction performance will be impaired.

- For removal of the dust box **9**, push the two unlocking buttons **11** and pull the dust box downward out of the dust extraction **14**.
- Before opening the dust box **9**, gently strike or tap it against a firm surface to loosen the dust from the filter element **24**.
- Open the dust box flap **23** on the bottom side and empty the dust box.
- Shut the dust box flap **23** and reinsert the dust box from below into the dust extraction **14** until it can be heard to engage.
- Check the filter element **24** for damage. Replace it immediately when damaged.

### External Dust Extraction (see figure H)

For dust extraction with a vacuum cleaner, the adapter box **25** (accessory), which is inserted into the dust extraction **14** instead of the dust box **9**, is required.

## 10 | English

- For removal of the dust box **9**, push the two unlocking buttons **11** and pull the dust box downward out of the dust extraction **14**.
- Insert the adapter box **25** from below into the dust extraction until it can be heard to engage.
- Place a vacuum hose **27** (accessory) onto the vacuum connection **26**. Connect the vacuum hose **27** with a vacuum cleaner (accessory). An overview for the connection of various vacuum cleaners can be found at the end of these instructions.

The vacuum cleaner must be suitable for the material being worked.

When vacuuming dry dust that is especially detrimental to health or carcinogenic, use a special vacuum cleaner.

**Adjusting the Drilling Depth (see figure I)**

The required drilling depth **X** can be set with the depth stop **28**.

- Insert the SDS-plus drilling tool to the stop into the SDS-plus tool holder **1**. Otherwise, the movability of the SDS-plus drilling tool can lead to incorrect adjustment of the drilling depth.
- Without switching the power tool on, apply it firmly to the drilling location. The SDS-plus drilling tool must face against the surface.
- Push the button for depth stop adjustment **16** and adjust the depth stop **28** so that the clearance **X** in the figure corresponds with your requested drilling depth.

**Adapting the Dust Extraction to the Tool Length (see figure J)**

For more convenient working with short drilling tools, the length of the dust extraction **14** can be adapted.

- Push and hold button **13** and slide the telescopic guide **15** into the dust extraction **14** until the dust collector is close to the tip of the drilling tool.
- To draw out the telescopic guide, push button **13** again.

**Dust Collector for Drill Bits (see figure K)**

- To change the dust collector **17**, push the release button **29** and pull the dust collector out of the dust extraction.
- To insert the dust collector **17**, push it from above into the dust extraction **14** until it can be heard to engage.

**Dust Collector for Core Bits (Accessory) (see figure L)**

For drilling with core bits, the dust collector for drill bits **17** must be replaced against a special dust collector for core bits **30** (accessory). When using the dust collector for core bits, the adapter box **25** (accessory) must be used for dust extraction, not the dust box **9**.

- If required, remove the dust collector for drill bits **17**.
- To insert the dust collector for core bits **30**, push it from above into the dust extraction until it can be heard to engage.
- For removal of the dust collector for core bits **30**, push the latching projection **31** outward and pull off the dust collector upward.

**Operation****Starting Operation**

- ▶ **Observe correct mains voltage! The voltage of the power source must agree with the voltage specified on the nameplate of the machine. Power tools marked with 230 V can also be operated with 220 V.**

**Products sold in AUS and NZ only:** Use a residual current device (RCD) with a rated residual current of 30 mA or less.

**Setting the operating mode**

With the selector switch for drilling/hammer drilling **4**, the operating mode of the machine is selected.

**Note:** Change the operating mode only when the machine is switched off! Otherwise, the machine can be damaged.

- To change the operating mode, press the release button **5** and turn the drilling/hammer drilling selector switch **4** to the desired position until it can be heard to latch.



Position for **hammer drilling** in concrete or stone as well as for chiselling (chiselling only with the MV 200 accessory)



Position for **drilling** without impact in wood, metal, ceramic and plastic as well as for screw-driving

**Reversing the rotational direction**

The rotational direction switch **6** is used to reverse the rotational direction of the machine.

- ▶ **Actuate the rotational direction switch 6 only when the machine is at a standstill.**

⚙️ **Right rotation:** Turn the selector switch for drilling/hammer drilling **6** on both sides to the stop in the position ←.

⚙️ **Left rotation:** Turn the selector switch for drilling/hammer drilling **6** on both sides to the stop in the position →.

Set the direction of rotation for hammer drilling, drilling and chiselling always to right rotation.

**Switching On and Off**

- To **start** the machine, press the On/Off switch **8**.
- To **lock** the On/Off switch, keep it pressed and additionally push the lock-on button **7**.
- To **switch off** the machine, release the On/Off switch **8**. When the On/Off switch **8** is locked, press it first and then release it.

**Setting the Speed/Impact Rate**

The speed/impact rate of the switched on power tool can be variably adjusted, depending on how far the On/Off switch **8** is pressed.

Light pressure on the On/Off switch **8** results in low speed/impact rate. Further pressure on the switch increases the speed/impact rate.

**Overload Clutch**

- ▶ **If the tool insert becomes caught or jammed, the drive to the drill spindle is interrupted. Because of the forces that occur, always hold the power tool firmly with both hands and provide for a secure stance.**
- ▶ **If the power tool jams, switch the machine off and loosen the tool insert. When switching the machine on with the drilling tool jammed, high reaction torques can occur.**

**Working Advice**

- ▶ **Before any work on the machine itself, pull the mains plug.**

**Chiselling**

For chiselling, a MV 200 SDS-plus chiselling attachment (accessory), which is inserted into the SDS-plus tool holder **1**, is required.

The dust extraction **14** may not be mounted for chiselling.

**Inserting Screwdriver Bits (see figure M)**

- ▶ **Apply the power tool to the screw/nut only when it is switched off.** Rotating tool inserts can slip off.

To work with screwdriver bits, a universal bit holder **32** with SDS-plus shank (accessory) is required.

The dust extraction **14** may not be mounted for screwdriving.

- Clean the shank end of the adapter shank and apply a light coat of grease.
- Insert the universal bit holder with a turning motion into the tool holder until it automatically locks.
- Check the locking effect by pulling the universal bit holder.
- Insert a screwdriver bit into the universal bit holder. Use only screwdriver bits that match the screw head.
- To remove the universal bit holder, pull the locking sleeve **3** toward the rear and remove the universal bit holder **32** out of the tool holder.

**Maintenance and Service****Maintenance and Cleaning**

- ▶ **Before any work on the machine itself, pull the mains plug.**
- ▶ **For safe and proper working, always keep the machine and ventilation slots clean.**
- ▶ **A damaged dust protection cap should be changed immediately. We recommend having this carried out by an after-sales service.**
- Clean the tool holder **1** each time after using.

**Changing the Filter Element (see figure N)**

In order to maintain the filter performance, the filter element **24** of the dust box **9** must be changed after approx. 15 operating hours.

- For removal of the dust box **9**, push the two unlocking buttons **11** and pull the dust box downward out of the dust extraction **14**.
- Remove the filter element **24** upward and insert a new filter element.

- Reinsert the dust box into the dust extraction **14** from below again until it can be heard to engage.

**Note:** If the filter element **24** is damaged (e.g. holes, damage to the soft sealing material), it must be replaced immediately. Working with a damaged filter element can cause damage to the power tool.

Also replace the filter element **24** when the vacuuming performance is insufficient, even when the dust box **9** is empty.

If the replacement of the supply cord is necessary, this has to be done by Bosch or an authorized Bosch service agent in order to avoid a safety hazard.

**After-sales Service and Application Service**

Our after-sales service responds to your questions concerning maintenance and repair of your product as well as spare parts. Exploded views and information on spare parts can also be found under:

**www.bosch-pt.com**

Bosch's application service team will gladly answer questions concerning our products and their accessories.

In all correspondence and spare parts orders, please always include the 10-digit article number given on the nameplate of the product.

**Cambodia**

Robert Bosch (Cambodia) Co., Ltd  
Unit 8BC, GT Tower, 08th Floor, Street 169,  
Czechoslovakia Blvd, Sangkat Veal Vong  
Khan 7 Makara, Phnom Penh  
VAT TIN: 100 169 511  
Tel.: +855 23 900 685  
Tel.: +855 23 900 660  
www.bosch.com.kh

**People's Republic of China****China Mainland**

Bosch Power Tools (China) Co., Ltd.  
567, Bin Kang Road  
Bin Jiang District 310052  
Hangzhou, P.R. China  
Tel.: 4008268484  
Fax: (0571) 87774502  
E-Mail: contact.ptcn@cn.bosch.com  
www.bosch-pt.com.cn

**HK and Macau Special Administrative Regions**

Robert Bosch Co. Ltd.  
21st Floor, 625 King's Road  
North Point, Hong Kong  
Customer Service Hotline: +852 2101 0235  
Fax: +852 2590 9762  
E-Mail: info@hk.bosch.com  
www.bosch-pt.com.hk

**India**

Bosch Service Center  
69, Habibullah Road, (Next to PSBB School), T. Nagar  
Chennai - 600077  
Phone: (044) 64561816

**12 | English**

**Bosch Service Center Rishyamook**  
85A, Panchkuin Road  
New Delhi – 110001  
Phone: (011) 43166190

**Bosch Service Center**  
79, Crystal Bldg., Dr. Annie Besant Road, Worli  
Mumbai – 400018  
Phone: (022) 39569936 / (022) 39569959 /  
(022) 39569967 / (022) 24952071

**Indonesia**

**PT Robert Bosch**  
Palma Tower 10<sup>th</sup> Floor  
Jalan RA Kartini II-S Kaveling 6  
Pondok Pinang, Kebayoran Lama  
Jakarta Selatan 12310  
Tel.: (21) 3005-5800  
www.bosch-pt.co.id

**Malaysia**

**Robert Bosch Sdn. Bhd.** (220975-V) PT/SMY  
No. 8A, Jalan 13/6  
46200 Petaling Jaya  
Selangor  
Tel.: (03) 79663194  
Toll-Free: 1800 880188  
Fax: (03) 79583838  
E-Mail: kiathoe.chong@my.bosch.com  
www.bosch-pt.com.my

**Pakistan**

**Robert Bosch Middle East FZE – Pakistan Liaison Office**  
2nd Floor Plaza # 10, CCA Block, DHA Phase 5  
Lahore, 54810  
Phone: +92(303)4444311  
Email: Faisal.Khan@bosch.com

**Philippines**

**Robert Bosch, Inc.**  
28th Floor Fort Legend Towers,  
3rd Avenue corner 31st Street,  
Fort Bonifacio, Global City,  
1634 Taguig City  
Tel.: (632) 8703871  
Fax: (632) 8703870  
www.bosch-pt.com.ph

**Singapore**

**Powerwell Service Centre Ptd Ltd**  
**Bosch Authorised Service Centre (Power Tools)**  
4012 Ang Mo Kio Ave 10, #01-02 TECHplace  
Singapore 569628  
Tel.: 6452 1770  
Fax: 6452 1760  
E-Mail: ask@powerwellsc.com  
www.powerwellsc.com  
www.bosch-pt.com.sg

**Thailand**

**Robert Bosch Ltd.**  
Liberty Square Building  
No. 287, 11 Floor  
Silom Road, Bangrak  
Bangkok 10500  
Tel.: 02 6393111  
Fax: 02 2384783  
Robert Bosch Ltd., P. O. Box 2054  
Bangkok 10501  
www.bosch.co.th

**Bosch Service – Training Centre**  
La Salle Tower Ground Floor Unit No.2  
10/11 La Salle Moo 16  
Srinakharin Road  
Bangkaew, Bang Plee  
Samutprakarn 10540  
Tel.: 02 7587555  
Fax: 02 7587525

**Vietnam**

**Branch of Bosch Vietnam Co., Ltd in HCMC**  
Floor 10, 194 Golden Building  
473 Dien Bien Phu Street  
Ward 25, Binh Thanh District, Ho Chi Minh City  
Tel.: (08) 6258 3690  
Fax: (08) 6258 3692  
Hotline: (08) 6250 8555  
www.bosch-pt.com.vn

**Armenia, Azerbaijan, Georgia, Kyrgyzstan, Mongolia, Tajikistan, Turkmenistan, Uzbekistan**

**TOO “Robert Bosch” Power Tools, After Sales Service**  
Rayimbek Ave., 169/1  
050050, Almaty, Kazakhstan  
Service Email: service.pt.ka@bosch.com  
Official Website: www.bosch.com, www.bosch-pt.com

**Bahrain**

**Hatem Al Juffali Technical Equipment Establishment.**  
Kingdom of Bahrain, Setra Highway, Al Aker Area  
Phone: +966126971777-311  
Fax: +97317704257  
Email: h.berjas@eajb.com.sa

**Egypt**

**Unimar**  
20 Markaz kadmat  
El tagmoa EL Aoul – New Cairo  
Phone: + 20 2224 76091-95  
Phone: + 20 2224 78072-73  
Fax: + 20 2224 78075  
Email: adelzaki@unimaregypt.com

**Iran**

**Robert Bosch Iran**  
3rd Floor, No 3, Maadiran Building  
Aftab St., Khodami St., Vanak Sq.  
Tehran 1994834571  
Phone: +9821- 86092057

**Iraq**

Sahba Technology Group  
Al Muthana airport road  
Baghdad  
Phone: +9647901906953  
Phone Dubai: +97143973851  
Email: bosch@sahbatechnology.com

**Jordan**

Roots Arabia – Jordan  
Nasser Bin Jameel street, Building 37 Al Rabiah  
11194 Amman  
Phone: +962 6 5545778  
Email: bosch@rootsjordan.com

**Kuwait**

Al Qurain Automotive Trading Company  
Shuwaikh Industrial Area, Block 1, Plot 16, Street 3rd  
P.O. Box 164 – Safat 13002  
Phone: 24810844  
Fax: 24810879  
E-mail: josephkr@aaalmutawa.com

**Lebanon**

Tehini Hana & Co. S.A.R.L.  
P.O. Box 90-449  
Jdeideh  
Dora-Beirut  
Phone: +9611255211  
Email: service-pt@tehini-hana.com

**Libya**

El Naser for Workshop Tools  
Swanee Road, Alfalah Area  
Tripoli  
Phone: +218 21 4811184

**Oman**

Malatan Trading & Contracting LLC  
P.O. Box 131  
Ruwi, 112 Sultanate of Oman  
Phone: +968 99886794  
Email: malatanpowertools@malatan.net

**Qatar**

International Construction Solutions W L L  
P. O. Box 51, Doha  
Phone: +974 40065458  
Fax: +974 4453 8585  
Email: csd@icsdoha.com

**Saudi Arabia**

Juffali Technical Equipment Co. (JTECO)  
Kilo 14, Madinah Road, Al Bawadi District  
Jeddah 21431  
Phone: +966 2 6672222 Ext. 1528  
Fax: +966 2 6676308  
Email: roland@ejb.com.sa

**Syria**

Dallal Establishment for Power Tools  
P.O. Box 1030  
Aleppo  
Phone: +963212116083  
Email: rita.dallal@hotmail.com

**United Arab Emirates**

Central Motors & Equipment LLC, P.O. Box 1984  
Al-Wahda Street – Old Sana Building  
Sharjah  
Phone: +971 6 593 2777  
Fax: +971 6 533 2269  
Email: powertools@centralmotors.ae

**Yemen**

Abualrejal Trading Corporation  
Sana'a Zubieri St. Front to new Parliament Building  
Phone: +967-1-202010  
Fax: +967-1-279029  
Email: tech-tools@abualrejal.com

**Ethiopia**

Forever plc  
Kebele 2,754, BP 4806,  
Addis Ababa  
Phone: +251 111 560 600  
Email: foreverplc@ethionet.et

**Ghana**

C.WOERMANN LTD.  
Nsawam Road/Avenor Junction, P.O. Box 1779  
Accra  
Phone: +233 302 225 141

**Kenya**

Robert Bosch East Africa Ltd  
Mpaka Road P.O. Box 856  
00606 Nairobi

**Nigeria**

Robert Bosch Nigeria Ltd.  
52 – 54 Isaac John Street P.O. Box  
GRA Ikeja – Lagos

**Republic of South Africa****Customer service**

Hotline: (011) 6519600

**Gauteng – BSC Service Centre**

35 Roper Street, New Centre  
Johannesburg  
Tel.: (011) 4939375  
Fax: (011) 4930126  
E-Mail: bsctools@icon.co.za

**KZN – BSC Service Centre**

Unit E, Almar Centre  
143 Crompton Street  
Pinetown  
Tel.: (031) 7012120  
Fax: (031) 7012446  
E-Mail: bsc.dur@za.bosch.com

## 14 | 中文

**Western Cape – BSC Service Centre**

Democracy Way, Prosperity Park  
Milnerton  
Tel.: (021) 5512577  
Fax: (021) 5513223  
E-Mail: bsc@zsd.co.za

**Bosch Headquarters**

Midrand, Gauteng  
Tel.: (011) 6519600  
Fax: (011) 6519880  
E-Mail: rbsa-hq.pts@za.bosch.com

**Tanzania**

Diesel & Autoelectric Service Ltd.  
117 Nyerere Rd., P.O. Box 70839  
Vingunguti 12109, Dar Es Salaam  
Phone: +255 222 861 793/794

**Australia, New Zealand and Pacific Islands**

Robert Bosch Australia Pty. Ltd.  
Power Tools  
Locked Bag 66  
Clayton South VIC 3169  
Customer Contact Center  
Inside Australia:  
Phone: (01300) 307044  
Fax: (01300) 307045

Inside New Zealand:  
Phone: (0800) 543353  
Fax: (0800) 428570

Outside AU and NZ:  
Phone: +61 3 95415555  
www.bosch-pt.com.au  
www.bosch-pt.co.nz

**Disposal**

The machine, accessories and packaging should be sorted for environmental-friendly recycling.



Do not dispose of power tools into household waste!

Subject to change without notice.

**中文****安全规章****电动工具通用安全警告**

**警告！** 阅读所有警告和所有说明！不遵照以下警告和说明会导致电击、着火和/或严重伤害。

保存所有警告和说明书以备查阅。

在所有下列的警告中术语“电动工具”指市电驱动（有线）电动工具或电池驱动（无线）电动工具。

**工作场地的安全**

- ▶ **保持工作场地清洁和明亮。** 混乱和黑暗的场地会引发事故。
- ▶ **不要在易爆环境，如有易燃液体、气体或粉尘的环境下操作电动工具。** 电动工具产生的火花会点燃粉尘或气体。
- ▶ **让儿童和旁观者离开后操作电动工具。** 注意力不集中会使操作者失去对工具的控制。

**电气安全**

- ▶ **电动工具插头必须与插座相配。绝不能以任何方式改装插头。** 需接地的电动工具不能使用任何转换插头。未经改装的插头和相配的插座将减少电击危险。
- ▶ **避免人体接触接地表面，如管道、散热片和冰箱。** 如果你身体接地会增加电击危险。
- ▶ **不得将电动工具暴露在雨中或潮湿环境中。** 水进入电动工具将增加电击危险。
- ▶ **不得滥用电线。绝不能用电线搬运、拉动电动工具或拔出其插头。使电线远离热源、油、锐边或运动部件。** 受损或缠绕的软线会增加电击危险。
- ▶ **当在户外使用电动工具时，使用适合户外使用的外接软线。** 适合户外使用的软线将减少电击危险。
- ▶ **如果在潮湿环境下操作电动工具是不可避免的，应使用剩余电流动作保护器（RCD）。** 使用 RCD 可减少电击危险。

**人身安全**

- ▶ **保持警觉，当操作电动工具时关注所从事的操作并保持清醒。** 当你感到疲倦，或在有药物、酒精或治疗反应时，不要操作电动工具。在操作电动工具时瞬间的疏忽会导致严重人身伤害。
- ▶ **使用个人防护装置。始终佩戴护目镜。** 安全装置，诸如适当条件下使用防尘面具、防滑安全鞋、安全帽、听力防护等装置能减少人身伤害。
- ▶ **防止意外起动。确保开关在连接电源和/或电池盒、拿起或搬运工具时处于关断位置。** 手指放在已接通电源的开关上或开关处于接通时插入插头可能会导致危险。
- ▶ **在电动工具接通之前，拿掉所有调节钥匙或扳手。** 遗留在电动工具旋转零件上的扳手或钥匙会导致人身伤害。
- ▶ **手不要伸展得太长。时刻注意立足点和身体平衡。** 这样在意外情况下能很好地控制电动工具。
- ▶ **着装适当。不要穿宽松衣服或佩戴饰品。让衣服、手套和头发远离运动部件。** 宽松衣服、佩饰或长发可能会卷入运动部件中。
- ▶ **如果提供了与排屑、集尘设备连接用的装置，要确保他们连接完好且使用得当。** 使用这些装置可减少尘屑引起的危险。

### 电动工具使用和注意事项

- ▶ **不要滥用电动工具，根据用途使用适当的电动工具。** 选用适当设计的电动工具会使你工作更有效、更安全。
- ▶ **如果开关不能接通或关断工具电源，则不能使用该电动工具。** 不能用开关来控制的电动工具是危险的且必须进行修理。
- ▶ **在进行任何调节、更换附件或贮存电动工具之前，必须从电源上拔掉插头和 / 或使电池盒与工具脱离。** 这种防护性措施将减少工具意外起动的危险。
- ▶ **将闲置不用的电动工具贮存在儿童所及范围之外，并且不要让不熟悉电动工具或对这些说明不了解的人操作电动工具。** 电动工具在未经培训的用户手中是危险的。
- ▶ **保养电动工具。检查运动件是否调整到位或卡住，检查零件破损情况和影响电动工具运行的其他状况。** 如有损坏，电动工具应在使用前修理好。许多事故由维护不良的电动工具引发。
- ▶ **保持切削刀具锋利和清洁。** 保养良好的有锋利切削刃的刀具不易卡住而且容易控制。
- ▶ **按照使用说明书，考虑作业条件和进行的作业来使用电动工具、附件和工具的刀头等。** 将电动工具用于那些与其用途不符的操作可能会导致危险。

### 维修

- ▶ **将你的电动工具送交专业维修人员，使用同样的备件进行修理。** 这样将确保所维修的电动工具的安全性。

### 锤类工具的安全警告

- ▶ **戴好耳罩。** 暴露在噪声中会引起听力损伤。
- ▶ **使用随工具提供的辅助手柄。** 操作失手会引起人身伤害。
- ▶ **在切削附件可能触及暗线或其自身软线之处进行操作时，要通过绝缘握持面来握持工具。** 切削附件碰到带电导线会使工具外露的金属零件带电从而使操作者受到电击。
- ▶ **使用合适的侦测装置侦察隐藏的电线，或者向当地的相关单位寻求支援。** 接触电线可能引起火灾并使操作者触电。损坏了瓦斯管会引起爆炸。凿穿水管不仅会造成严重的财物损失，也可能导致触电。
- ▶ **工作时必须用双手握紧电动工具，并且要确保立足稳固。** 使用双手比较能够握稳电动工具。
- ▶ **固定好工件。** 使用固定装置或老虎钳固定工件，会比用手持握工件更牢固。
- ▶ **等待电动工具完全静止后才能够放下机器。** 机器上的工具可能在工作中被夹住，而令您无法控制电动工具。

### 产品和功率描述



**阅读所有的警告提示和指示。** 如未确实遵循警告提示和指示，可能导致电击，火灾并且 / 或其他的严重伤害。

### 按照规定使用机器

本电动工具适合在混凝土，砖墙和石材上进行震动钻。另外也可以使用本电动工具在木材，金属，陶瓷和塑料上进行无震动功能的正常钻。有电子调节装置和正反转功能的电动工具也能够拧转螺丝。

### 插图上的机件

机件的编号和电动工具详解图上的编号一致。

- 1 SDS- plus (四坑系统) 工具接头
- 2 防尘盖
- 3 锁定套筒
- 4 "正常钻 / 震动钻" 的转换开关
- 5 "正常钻 / 震动钻" 转换开关的解锁按键
- 6 正反转开关
- 7 起停开关的锁紧键
- 8 起停开关
- 9 集尘盒
- 10 吸尘装置的解锁按键
- 11 集尘盒的解锁按键
- 12 辅助手柄 (绝缘握柄)
- 13 伸缩导引的调整键
- 14 吸尘装置
- 15 伸缩导引
- 16 调整深度尺的按键
- 17 钻头的集尘环
- 18 手柄 (绝缘握柄)
- 19 齿环夹头上的固定螺丝\*
- 20 齿环夹头\*
- 21 夹头的 SDS- plus (四坑系统) 接头柄\*
- 22 吸尘装置的固定槽
- 23 集尘盒盒盖
- 24 过滤组件
- 25 连接其它吸尘装置的转接盒\*
- 26 吸管接头\*
- 27 吸管\*
- 28 深度尺
- 29 集尘环的解锁按键
- 30 针对空心钻头的集尘环\*
- 31 集尘环的固定凸起\*
- 32 有 SDS- plus (四坑系统) 接头柄的通用连杆\*

\*图表或说明上提到的附件，并不包含在基本的供货范围中。本公司的附件清单中有完整的附件供应项目。

## 16 | 中文

## 技术数据

锤钻	GBH 2-23 REA	
物品代码	3 611 B50 5..	
转速控制装置	●	
正 / 逆转功能	●	
吸尘功能	●	
额定输入功率	瓦	710
冲击次数	次 / 分	0 - 4400
单一冲击强度符合 EPTA-Procedure 05/2009 的规定	焦耳	2,5
转速	次 / 分	0 - 1000
工具夹头	SDS-plus (四坑系统)	
主轴颈直径	毫米	43 (欧洲标准)
无吸尘功能时的最大钻孔直径:		
- 混凝土	毫米	23
- 墙壁 (使用空心钻头)	毫米	68
- 钢板	毫米	13
- 木材	毫米	30
有吸尘功能时的最大钻孔直径:		
- 混凝土	毫米	16
- 墙壁 (使用空心钻头)	毫米	68
吸尘功率	公升 / 每分	450
集尘盒容量 (进行水平钻孔时)		
- 孔 6 x 30 毫米	个	100
- 孔 8 x 30 毫米	个	60
- 孔 12 x 50 毫米	个	16
重量符合 EPTA-Procedure 01:2014	公斤	3,6
不含吸尘装备的重量	公斤	2,9
绝缘等级	□/II	

本说明书提供的参数是以 230 V 为依据, 于低电压地区, 此数据有可能不同。

## 安装

- ▶ **维修电动工具或换装零、配件之前, 务必从插座上拔出插头。**

## 辅助手柄

- ▶ **操作电动工具时务必使用辅助手柄 12。**

## 转动辅助手柄 (参考插图 A)

您可以根据需要改变辅助手柄 12 的位置, 以提高工作安全和增加工作的舒适性。

- 朝著逆时针方向转动辅助手柄 12。把辅助手柄 12 摆动到需要的位置。接著再朝顺时针方向转紧辅助手柄 12。

## 选择夹头和工具

进行震动钻和凿击 (凿击时必须安装附件 MV 200) 时必须使用能够安装在 SDS-plus (四坑系统) 夹头上的 SDS-plus (四坑系统) 工具。

在木材, 金属, 陶材和塑料上进行无震动功能的正常钻, 以及拧转螺丝时, 必须使用无 SDS-plus 的工具 (例如带圆柱柄的钻头)。上述工具必须配合快速夹头或齿环夹头一起使用。

## 更换齿环夹头

必须在机器上安装合适的夹头 (齿环夹头, 快速夹头或附件) 后, 才能使用无 SDS-plus (四坑系统) 的工具 (例如有圆柱柄的钻头)。



**组合齿环夹头 (参考插图 B)**

- 把有 SDS-plus (四坑系统) 接头柄的通用连杆 21 转入齿环夹头 20 中。以螺丝 19 固定齿环夹头 20。注意，固定螺丝有左螺纹。

**安装齿环夹头 (参考插图 C)**

- 清洁接头柄的末端并在接头柄末端涂抹少许油脂。
- 把齿环夹头的接头柄拧入机器的工具接头中，至接头柄自动锁定为止。
- 抽拉齿环夹头，以确定夹头是否已经锁定了。

**拆卸齿环夹头**

- 向后抽拉锁定套筒 3，接著便可以拔出齿环夹头 20。

**更换工具**

防尘盖 2 可以防止工作时凿削废尘侵入夹头中。安装工具时必须小心，勿损坏防尘盖 2。

- ▶ **如果防尘盖损坏了必须马上更换。最好委托本公司的顾客服务处换装。**

**安装 SDS-plus (四坑系统) 工具 (参考插图 D)**

有了 SDS-plus (四坑系统) 夹头，不必使用工具也可以快速便利地安装钻头。

- 清洁工具柄并在柄上塗少许润滑脂。
- 把工具转入工具夹头中，至工具自动锁牢为止。
- 抽拉工具以确定它是否正确锁紧了。

SDS-plus (四坑系统) 系统的工具是活动的，因此在无负载状态下此类工具会偏心旋转。开始钻孔时工具便会自动定心，所以上述现象并不会影响钻孔的准确度。

**拆卸 SDS-plus (四坑系统) 工具 (参考插图 E)**

- 向后推移锁定套筒 3 並取出工具。

**安装无 SDS-plus (四坑系统) 的工具**

**指示：** 不可以使用无 SDS-plus (四坑系统) 系统的工具进行锤钻和凿削！没有 SDS-plus (四坑系统) 系统的工具和夹头会在进行锤钻和凿削时受损。

- 装上齿环夹头 20 (参考 "更换齿环夹头", 第 16 页)。
- 转动齿环夹头 20 至能够装入工具为止，安装好工具。
- 把夹头扳手插入齿环夹头 20 上的扳手孔中，均匀地拧紧扳手来固定好工具。
- 把转换开关 4 拧转到 "正常钻" 的符号上。

**拆卸无 SDS-plus (四坑系统) 的工具**

- 使用夹头扳手，朝著逆时针方向转动齿环夹头 20 上的套筒，至能够拿出工具为止。

**吸尘功能**

- ▶ 含铅的颜料以及某些木材、矿物和金属的加工废尘有害健康。机器操作者或者工地附近的人如果接触、吸入这些废尘，可能会有过敏反应或者感染呼吸道疾病。

某些尘埃 (例如加工橡木或山毛榉的废尘) 可能致癌，特别是和处理木材的添加剂 (例如木材的防腐剂等) 结合之后。只有经过专业训练的人才能够加工含石棉的物料。

- 尽可能使用适合物料的吸尘装置。
- 工作场所要保持空气流通。
- 最好佩戴 P2 滤网等级的口罩。

请留心并遵守贵国和加工物料有关的法规。

- ▶ **避免让工作场所堆积过多的尘垢。** 尘埃容易被点燃。

- ▶ **注意有起火的危险！安装了吸尘装置之后不可以加工木材或金属。** 灼热的废料可能自然或引燃吸尘装备的零件。

**指示：** 进行凿击和拧转螺丝的工作时，不可以使用吸尘装置 14。

工作时吸尘装置 14 的弹簧会向后收缩，因此集尘环会紧贴着工件的表面。透过电动工具可以开动和关闭吸尘装备。

请遵循以下各项指示，以确保最佳的吸尘效果。

- 使用的工具不可以凸出于集尘环 17 或 30 之外 (例如 SDS-plus [四坑系统] 钻头：最大总长约为 160 毫米，工作长度约为 100 毫米)。
- 注意，集尘环必须平贴在工件表面或墙上，此时钻头和工件表面成直角，可以减轻工作负担。
- 到达需要的钻孔深度后，先从钻孔中拔出钻头接著再关闭电动工具。
- 定期检查过滤组件 24。如果过滤组件损坏了必须马上更换。

**拆卸 / 安装吸尘装置 (参考插图 F)**

- 按了解锁按键 10 并向前抽拉即可以取出吸尘装置。
- 必要时得把辅助手柄 12 移动到侧面。
- 安装吸尘装置 14 时，先把固定槽 22 推入电动工具的固定槽衔接中，必须推入至听见卡入声响为止。

**透过机器本身的集尘盒收集废尘 (参考插图 G)**

从透明的盖子 23 可以轻易地检查集尘盒 9 的充填状况。

如果集尘盒满了得马上倾倒，否则会影响吸尘功效。

- 拆卸集尘盒 9 按下两个解锁按键 11，并向下抽拉位在吸尘装置 14 中的集尘盒。
- 打开集尘盒 9 之前，必须先结实的底垫上轻敲盒子，以便敲落过滤组件 24 上的灰尘。
- 打开盒子下方的盖子 23 并倒出盒中的废尘。

## 18 | 中文

- 关上盖子 23，把集尘盒从下方推入吸尘装置 14 中，至听见卡住声嚯为止。
- 检查过滤组件 24，如果过滤组件损坏了必须即刻换上新的组件。

**外接其他的吸尘器（参考插图 H）**

如果外接其它的吸尘器则必须使用转接盒 25（附件）。把转接盒安装在吸尘装置 14 中的集尘盒 9 的安装位置上。

- 拆卸集尘盒 9 按下两个解锁按键 11，并向下抽拉位在吸尘装置 14 中的集尘盒。
- 从下方把转接盒 25 推入吸尘装置中，至听见卡住声嚯为止。
- 把吸管 27（附件）插入吸管接头 26 中。把吸管 27 的另一端安装在吸尘器（附件）上。本说明书的末页有各种吸尘器的列表清单。

根据工件的物料选择合适的吸尘装置。

吸集可能危害健康，可能导致癌症或干燥的废尘时，务必使用特殊的吸尘装置。

**调整钻深（参考插图 I）**

使用深度尺 28 可以设定需要的钻深 X。

- 把 SDS-plus（四坑系统）工具插入 SDS-plus（四坑系统）接头 1 中，并把工具推到底。如果未安装好工具，会影响设定深度的准确性。
- 把尚未开动的电动工具紧紧地顶在工件上。
- SDS-plus（四坑系统）- 工具也必须紧贴着工件。
- 按下调整深度尺的按键 16，接著移动深度尺 28 让插图中标示的 X 相当于您所需要的钻深。

**根据工具长度调整吸尘装置（参考插图 J）**

使用短的工具时，可以适当调整吸尘装置 14 的长度，以便提高工作的舒适度。

- 按住按键 13，并把伸缩导引 15 推入吸尘装置 14 中至集尘环紧靠着工具尖端为止。
- 再度按下按键 13 便可以拉出伸缩导引。

**针对钻头的集尘环（参考插图 K）**

- 更换集尘环 17 时得先按下解锁按键 29，接著再从吸尘装置中拉出集尘环。
- 安装集尘环，从上方把集尘环 17 压入吸尘装置 14 中，至能够听见卡入声嚯为止。

**针对空心钻头的集尘环（附件）（参考插图 L）**

使用空心钻头钻孔时，必须以特殊的集尘环 30（附件）代替针对钻头的集尘环 17。安装了针对空心钻头的集尘环后，不可以使用集尘盒 9 吸尘，必须在机器上安装转接盒 25（附件）并且连接其它的吸尘器。

- 必要时得拆除针对钻头的集尘环 17。
- 安装针对空心钻头的集尘环时，得从上方把集尘环 30 压入吸尘装置中，至能够听见卡入声嚯为止。
- 拆卸集尘环 30 时，先按下固定凸起 31，接著再向上拉出集尘环。

**操作****操作机器**

- ▶ **注意电源的电压！电源的电压必须和电动工具铭牌上标示的电压一致。**

**设定操作模式**

使用“正常钻 / 震动钻”的转换开关 4，可以变换电动工具的操作方式。

**指示：**务必先关闭电动工具，然后才可以改变操作功能！否则会损坏电动工具。

- 变换操作方式前，先按下解锁按键 5 并且把“正常钻 / 震动钻”的转换开关 4 拧转的需要的位置上，至听见卡入声嚯为止。



在混凝土或石材上进行**震动钻**或凿击（凿击时必须使用附件 MV 200）时的开关位置。



在木材，金属，陶材和塑料上进行无震动功能的**正常钻**以及拧转螺丝时的设定位置

**改变转向**

使用正逆转开关 6 可以改变电动工具的转向。

- ▶ **在电动工具完全静止时才可以**使用正逆转开关 6。

⌚ **正转：**把机器两侧的正逆转开关 6 推到底，让开关停留在此符号上 ◀。

⌚ **逆转：**把机器两侧的正逆转开关 6 推到底，让开关停留在此符号上 ▶。

进行震动钻、正常钻和凿削时，都必须把转向设定为正转。

**开动 / 关闭**

- 按下起停开关 8，可以**开动**电动工具。
- **锁定**起停开关，按住起停开关并同时按下锁紧键 7。
- **关闭**电动工具，放开起停开关 8，如果起停开关 8 被锁定了，先按下起停开关紧接着再放开开关。

**调整转速 / 冲击次数**

随著在起停开关 8 上施压大小，可以无级式地提高或降低转速 / 冲击次数。

轻按起停开关 8，机器以低转速 / 冲击次数运作。增强施加在起停开关上的压力，可以提高机器的转速 / 冲击次数。

**过载离合器**

- ▶ **如果工具卡住了，传往主轴的动力会中断。此时会产生非常大的震动力。因此操作机器时务必要用双手握紧机器，并且要确保立足稳固。**

- ▶ 如果电动工具卡住了，先关闭电动工具，再取出工具。开动工具被卡住的电动工具，会产生很高的反应力矩。

### 有关操作方式的指点

- ▶ 维修电动工具或换装零、配件之前，务必从插座上拔出插头。

#### 凿击

进行凿击时必须使用 SDS-plus（四坑系统）- 凿刀附加件 MV 200（附件），这样才能够把凿刀安装在 SDS-plus（四坑系统）- 工具接头 1 中。

凿击时，不可以安装吸尘装置 14。

#### 安装螺丝批嘴（参考插图 M）

- ▶ 先关闭电动工具，然后再把工具放置在螺母 / 螺丝上。安装在接头上的工具如果仍继续转动，容易从螺丝头上滑开。

使用螺丝批嘴时必须在机器上安装有 SDS-plus（四坑系统）接头柄的通用连杆 32。

拧转螺丝时，不可以安装吸尘装置 14。

- 清洁接头柄的末端并在接头柄末端涂抹少许油脂。
- 把通用连杆拧入工具接头中，并让连杆自动锁定。
- 抽拉连杆，检查连杆是否已经正确锁牢。
- 把螺丝批嘴插入通用连杆中。必须使用与螺丝头大小相符的螺丝批嘴。
- 拆卸通用连杆时必须先向后抽拉锁定套筒 3，接着便可以工具接头上取出通用连杆 32。

## 维修和服务

### 维修和清洁

- ▶ 维修电动工具或换装零、配件之前，务必从插座上拔出插头。
- ▶ 电动工具和通风间隙都必须保持清洁，这样才能够提高工作品质和安全性。
- ▶ 如果防尘盖损坏了必须马上更换。最好委托本公司的顾客服务处换装。
- 每次操作完毕后，都得清洁工具接头 1。

#### 更换过滤组件（参考插图 N）

每经过 15 个工作小时，得更换集尘盒 9 中的过滤组件 24，以确保过滤功效。

- 拆卸集尘盒 9 按下两个解锁按键 11，并向下抽拉位在吸尘装置 14 中的集尘盒。
- 向下取出过滤组件 24 并安装新的过滤组件。
- 从下方把集尘盒推入吸尘装置 14 中，至听见卡住声嚮为止。

**指示：**如果过滤组件 24 损坏了必须马上更换（例如出现洞孔，或组件上的柔软密封材料损坏了）。使用已经损坏的过滤组件，可能损伤电动工具。

如果已经倒空了集尘盒 9，但是吸尘功效仍未改善，此时也得更换过滤组件 24。

如果必须更换连接线，务必把这项工作交给博世或者经授权的博世电动工具顾客服务执行，以避免危害机器的安全性能。

### 顾客服务处和顾客咨询中心

本公司顾客服务处负责回答有关本公司产品的修理、维护和备件的问题。以下的网页中有爆炸图和备件的资料：

[www.bosch-pt.com](http://www.bosch-pt.com)

博世顾客咨询团队非常乐意为您解答有关本公司产品及附件的问题。

如需查询和订购备件，请务必提供产品型号铭牌上的 10 位数货号。

有关保证，维修或更换零件事宜，请向合格的经销商查询。

#### 中国大陆

博世电动工具（中国）有限公司

中国 浙江省 杭州市

滨江区滨康路 567 号

邮政编码：310052

免费服务热线：4008268484

传真：(0571) 87774502

电邮：[contact.ptcn@cn.bosch.com](mailto:contact.ptcn@cn.bosch.com)

[www.bosch-pt.com.cn](http://www.bosch-pt.com.cn)

罗伯特·博世有限公司

香港北角英皇道 625 号 21 楼

客户服务热线：+852 2101 0235

传真：+852 2590 9762

电邮：[info@hk.bosch.com](mailto:info@hk.bosch.com)

网站：[www.bosch-pt.com.hk](http://www.bosch-pt.com.hk)

#### 制造商地址：

Robert Bosch Power Tools GmbH

罗伯特·博世电动工具有限公司

70538 Stuttgart / GERMANY

70538 斯图加特 / 德国

### 处理废弃物

必须以符合环保的方式，回收再利用损坏的机器、附件和废弃的包装材料。



不可以把电动工具丢入家庭垃圾中！

#### 保留修改权。

## 中文

### 安全規章

#### 電動工具通用安全警告

**警告** 閱讀所有警告和所有說明。不遵照以下警告和說明會導致電擊、着火和/或嚴重傷害。

保存所有警告和說明書以備查閱。

在所有下列的警告中術語“電動工具”指市電驅動（有線）電動工具或電池驅動（無線）電動工具。

#### 工作場地的安全

- ▶ 保持工作場地清潔和明亮。混亂和黑暗的場地會引發事故。
- ▶ 不要在易爆環境，如有易燃液體、氣體或粉塵的環境下操作電動工具。電動工具產生的火花會點燃粉塵或氣體。
- ▶ 讓兒童和旁觀者離開後操作電動工具。注意力不集中會使你失去對工具的控制。

#### 電氣安全

- ▶ 電動工具插頭必須與插座相配。絕不能以任何方式改裝插頭。需接地的電動工具不能使用任何轉換插頭。未經改裝的插頭和相配的插座將減少電擊危險。
- ▶ 避免人體接觸接地表面，如管道、散熱片和冰箱。如果你身體接地會增加電擊危險。
- ▶ 不得將電動工具暴露在雨中或潮濕環境中。水進入電動工具將增加電擊危險。
- ▶ 不得濫用電線。絕不能用電線搬運、拉動電動工具或拔出其插頭。使電線遠離熱源、油、銳邊或運動部件。受損或纏繞的軟線會增加電擊危險。
- ▶ 當在戶外使用電動工具時，使用適合戶外使用的外接軟線。適合戶外使用的軟線，將減少電擊危險。
- ▶ 如果在潮濕環境下操作電動工具是不可避免的，應使用剩餘電流動作保護器（RCD）。使用 RCD 可減小電擊危險。

#### 人身安全

- ▶ 保持警覺，當操作電動工具時關注所從事的操作並保持清醒。當你感到疲倦，或在有藥物、酒精或治療反應時，不要操作電動工具。在操作電動工具時瞬間的疏忽會導致嚴重人身傷害。
- ▶ 使用個人防護裝置。始終佩戴護目鏡。安全裝置，諸如適當條件下使用防塵面具、防滑安全鞋、安全帽、聽力防護等裝置能減少人身傷害。
- ▶ 防止意外起動。確保開關在連接電源和/或電池盒、拿起或搬運工具時處於關斷位置。手指放在已接通電源的開關上或開關處於接通時插入插頭可能會導致危險。

- ▶ 在電動工具接通之前，拿掉所有調節鑰匙或扳手。遺留在電動工具旋轉零件上的扳手或鑰匙會導致人身傷害。
- ▶ 手不要伸展得太長。時刻注意立足點和身體平衡。這樣在意外情況下能很好地控制電動工具。
- ▶ 著裝適當。不要穿寬鬆衣服或佩戴飾品。讓你的衣服、手套和頭髮遠離運動部件。寬鬆衣服、佩飾或長髮可能會捲入運動部件中。
- ▶ 如果提供了與排屑、集塵設備連接用的裝置，要確保他們連接完好且使用得當。使用這些裝置可減少塵屑引起的危險。

#### 電動工具使用和注意事項

- ▶ 不要濫用電動工具，根據用途使用適當的電動工具。選用適當設計的電動工具會使你工作更有效、更安全。
- ▶ 如果開關不能接通或關斷工具電源，則不能使用該電動工具。不能用開關來控制的電動工具是危險的且必須進行修理。
- ▶ 在進行任何調節、更換附件或貯存電動工具之前，必須從電源上拔掉插頭和/或使電池盒與工具脫開。這種防護性措施將減少工具意外起動的危險。
- ▶ 將閒置不用的電動工具貯存在兒童所及範圍之外，並且不要讓不熟悉電動工具或對這些說明不瞭解的人操作電動工具。電動工具在未經培訓的用戶手中是危險的。
- ▶ 保養電動工具。檢查運動件是否調整到位或卡住，檢查零件破損情況和影響電動工具運行的其他狀況。如有損壞，電動工具應在使用前修理好。許多事故由維護不良的電動工具引發。
- ▶ 保持切削刀具鋒利和清潔。保養良好的有鋒利切削刃的刀具不易卡住而且容易控制。
- ▶ 按照使用說明書，考慮作業條件和進行的作業來使用電動工具、附件和工具的刀頭等。將電動工具用於那些與其用途不符的操作可能會導致危險。

#### 檢修

- ▶ 將你的電動工具送交專業維修人員，必須使用同樣的備件進行更換。這樣將確保所維修的電動工具的安全性。

#### 針對電鎚的安全規章

- ▶ 佩戴耳罩。工作噪音會損壞聽力。
- ▶ 如果電動工具提供了輔助手柄便要使用它。操作時失控可能導致傷害。
- ▶ 如果安裝在此裝置上的切割配件可能會在作業期間割到暗藏的電線或自身的電源線，請務必從裝置握把上的絕緣處來握住該裝置。切割配件萬一接觸到帶電導線，可能會連帶使裝置上的金屬部件帶電，進而導致操作者觸電。

- ▶ **使用合適的偵測裝置偵察隱藏的電線，或者向當地的相關單位尋求支援。** 接觸電線可能引起火災並讓操作者觸電。損壞了瓦斯管會引起爆炸。鑿穿水管不僅會造成嚴重的財物損失，也可能導致觸電。
- ▶ **工作時必須用雙手握緊電動工具，並且要確保立足穩固。** 使用雙手比較能夠握穩電動工具。
- ▶ **固定好工件。** 使用固定裝置或老虎鉗固定工件，會比用手持握工件更牢固。
- ▶ **等待電動工具完全靜止後才能夠放下機器。** 機器上的工具可能在工作中被夾住，而令您無法控制電動工具。

## 產品和功率描述



**閱讀所有的警告提示和指示。** 如未確實遵循警告提示和指示，可能導致電擊、火災並且 / 其他的嚴重傷害。

### 按照規定使用機器

本電動工具適合在混凝土，磚牆和石材上進行震動鑽。另外也可以使用本電動工具在木材，金屬，陶材和塑料上進行無震動功能的正常鑽。有電子調節裝置和正逆轉功能的電動工具也能夠擰轉螺絲。

### 插圖上的機件

機件的編號和電動工具詳解圖上的編號一致。

- 1 SDS- plus (四坑系統) 工具接頭
- 2 防塵蓋
- 3 鎖定套筒
- 4 " 正常鑽 / 震動鑽 " 的轉換開關

- 5 " 正常鑽 / 震動鑽 " 轉換開關的解鎖按鍵
- 6 正逆轉開關
- 7 起停開關的鎖緊鍵
- 8 起停開關
- 9 集塵盒
- 10 吸塵裝置的解鎖按鍵
- 11 集塵盒的解鎖按鍵
- 12 輔助手柄 (絕緣握柄)
- 13 伸縮導引的調整鍵
- 14 吸塵裝置
- 15 伸縮導引
- 16 調整深度尺的按鍵
- 17 鑽頭的集塵環
- 18 手柄 (絕緣握柄)
- 19 齒環夾頭上的固定螺絲\*
- 20 齒環夾頭\*
- 21 夾頭的 SDS- plus (四坑系統) 接頭柄\*
- 22 吸塵裝置的固定槽
- 23 集塵盒盒蓋
- 24 過濾組件
- 25 連接其它吸塵裝置的轉接盒\*
- 26 吸管接頭\*
- 27 吸管\*
- 28 深度尺
- 29 集塵環的解鎖按鍵
- 30 針對空心鑽頭的集塵環\*
- 31 集塵環的固定凸起\*
- 32 有 SDS- plus (四坑系統) 接頭柄的通用連桿\*

\*圖表或說明上提到的附件，並不包含在基本的供貨範圍中。本公司的附件清單中有完整的附件供應項目。

### 技術性數據

鑽鑽	GBH 2-23 REA	
物品代碼		3 611 B50 5..
轉速控制裝置		●
正 / 逆轉功能		●
吸塵功能		●
額定輸入功率	瓦	710
沖擊次數	次 / 分	0 - 4400
單一衝擊強度符合 EPTA-Procedure 05/2009 的規定	焦耳	2,5
轉速	次 / 分	0 - 1000
工具夾頭		SDS-plus (四坑系統)
主軸頸直徑	毫米	43 (歐洲標準)

本說明書提供的參數是以 230 伏特為依據，於低電壓地區，此數據有可能不同。

## 22 | 中文

鑿鑽		GBH 2-23 REA
無吸塵功能時的最大鑽孔直徑：		
- 混凝土	毫米	23
- 牆壁（使用空心鑽頭）	毫米	68
- 鋼板	毫米	13
- 木材	毫米	30
有吸塵功能時的最大鑽孔直徑：		
- 混凝土	毫米	16
- 牆壁（使用空心鑽頭）	毫米	68
吸塵功率	公升 / 每分	450
集塵盒容量（進行水平鑽孔時）		
- 孔 6 x 30 毫米	個	100
- 孔 8 x 30 毫米	個	60
- 孔 12 x 50 毫米	個	16
重量符合 EPTA-Procedure 01:2014	公斤	3,6
不含吸塵裝備的重量	公斤	2,9
絕緣等級		□/II

本說明書提供的參數是以 230 伏特為依據，於低電壓地區，此數據有可能不同。

## 安裝

- ▶ **維修電動工具或換裝零、配件之前，務必從插座上拔出插頭。**

### 輔助手柄

- ▶ **操作電動工具時務必使用輔助手柄 12。**

#### 轉動輔助手柄（參考插圖 A）

您可以根據需要改變輔助手柄 12 的位置，以提高工作安全和增加工作的舒適性。

- 朝著逆時針方向轉動輔助手柄 12。把輔助手柄 12 擺動到需要的位置。接著再朝順時針方向轉緊輔助手柄 12。

### 選擇夾頭和工具

進行震動鑽和鑿擊（鑿擊時必須安裝附件 MV 200）時必須使用 能夠安裝在 SDS-plus（四坑系統）夾頭上的 SDS-plus（四坑系統）工具。

在木材，金屬，陶材和塑料上進行無震動功能的正常鑽，以及擰轉螺絲時，必須使用無 SDS-plus 的工具（例如帶圓柱柄的鑽頭）。上述工具必須配合快速夾頭或齒環夾頭一起使用。

### 更換齒環夾頭

必須在機器上安裝合適的夾頭（齒環夾頭，快速夾頭或附件）後，才能使用無 SDS-plus（四坑系統）的工具（例如圓柱柄的鑽頭）。

### 組合齒環夾頭（參考插圖 B）

- 把有 SDS-plus（四坑系統）接頭柄的通用連桿 21 轉入齒環夾頭 20 中。以螺絲 19 固定齒環夾頭 20。**注意，固定螺絲有左螺紋。**

### 安裝齒環夾頭（參考插圖 C）

- 清潔接頭柄的末端並在接頭柄末端塗抹少許油脂。
- 把齒環夾頭的接頭柄擰入機器的工具接頭中，至接頭柄自動鎖定為止。
- 抽拉齒環夾頭，以確定夾頭是否已經鎖定了。

### 拆卸齒環夾頭

- 向后抽拉鎖定套筒 3，接著便可以拔出齒環夾頭 20。

### 更換工具

防塵蓋 2 可以防止工作時鑿削廢塵侵入夾頭中。安裝工具時必須小心，勿損壞防塵蓋 2。

- ▶ **如果防塵蓋壞了必須馬上更換。最好委托本公司的顧客服務處換裝。**

### 安裝 SDS-plus（四坑系統）工具（參考插圖 D）

有了 SDS-plus（四坑系統）夾頭，不必使用工具也可以快速便利地安裝鑽頭。

- 清潔工具柄並在柄上塗少許潤滑脂。
- 把工具轉入工具夾頭中，至工具自動鎖牢為止。
- 抽拉工具以確定它是否正確鎖緊了。

SDS-plus（四坑系統）系統的工具是活動的，因此在無負載狀態下此類工具會偏心旋轉。開始鑽孔時工具便會自動定心，所以上述現象並不會影響鑽孔的準確度。

**拆卸 SDS-plus (四坑系統) 工具 (參考插圖 E)**

- 向後推移鎖定套筒 3 並取出工具。

**安裝無 SDS-plus (四坑系統) 的工具**

**指示：** 不可以使用無 SDS-plus (四坑系統) 系統的工具進行錘鑽和鑿削！沒有 SDS-plus (四坑系統) 系統的工具和夾頭會在進行錘鑽和鑿削時受損。

- 裝上齒環夾頭 20 (參考 "更換齒環夾頭" 第 22 頁)。
- 轉動齒環夾頭 20 至能夠裝入工具為止，安裝好工具。
- 把夾頭扳手插入齒環夾頭 20 上的扳手孔中，均勻地擰緊扳手來固定好工具。
- 把轉換開關 4 擰轉到 "正常鑽" 的符號上。

**拆卸無 SDS-plus (四坑系統) 的工具**

- 使用夾頭扳手，朝著逆時針方向轉動齒環夾頭 20 上的套筒，至能夠拿出工具為止。

**吸塵功能**

- ▶ 含鉛的顏料以及某些木材、礦物和金屬的加工廢塵有害健康。機器操作者或者工地附近的人如果接觸、吸入這些廢塵，可能會有過敏反應或者感染呼吸道疾病。

某些塵埃 (例如加工橡木或山毛櫸的廢塵) 可能致癌，特別是和處理木材的添加劑 (例如木材的防腐劑等) 結合之後。只有經過專業訓練的人才能夠加工含石棉的物料。

- 盡可能使用適合物料的吸塵裝置。
- 工作場所要保持空氣流通。
- 最好佩戴 P2 濾網等級的口罩。

請留心並遵守貴國和加工物料有關的法規。

- ▶ **避免讓工作場所堆積過多的塵垢。** 塵埃容易被點燃。
- ▶ **注意有起火的危險！** 安裝了吸塵裝置之後不可以加工木材或金屬。灼熱的廢料可能自燃或引燃吸塵裝置的零件。

**指示：** 進行鑿擊和擰轉螺絲的工作時，不可以使用吸塵裝置 14。

工作時吸塵裝置 14 的彈簧會向後收縮，因此集塵環會緊貼著工件的表面。透過電動工具可以開動和關閉吸塵裝置。

請遵循以下各項指示，以確保最佳的吸塵效果。

- 使用的工具不可以凸出于集塵環 17 或 30 之外 (例如 SDS-plus [四坑系統] 鑽頭：最大總長約為 160 毫米，工作長度約為 100 毫米)。
- 注意，集塵環必須平貼在工件表面或牆上，此時鑽頭和工件表面成直角，可以減輕工作負擔。
- 到達需要的鑽孔深度後，先從鑽孔中拔出鑽頭接著再關閉電動工具。
- 定期檢查過濾組件 24。如果過濾組件損壞了必須馬上更換。

**拆卸 / 安裝吸塵裝置 (參考插圖 F)**

- 按了解鎖按鍵 10 並向前抽拉即可以取出吸塵裝置。
- 必要時得把輔助手柄 12 移動到側面。
- 安裝吸塵裝置 14 時，先把固定槽 22 推入電動工具的固定槽銜接中，必須推入至聽見卡入聲響為止。

**透過機器本身的集塵盒收集廢塵 (參考插圖 G)**

從透明的蓋子 23 可以輕易地檢查集塵盒 9 的充填狀況。

如果集塵盒滿了得馬上傾倒，否則會影響吸塵功效。

- 拆卸集塵盒 9 按下兩個解鎖按鍵 11，並向下抽拉位在吸塵裝置 14 中的集塵盒。
- 打開集塵盒 9 之前，必須先在結實的底墊上輕敲盒子，以便敲落過濾組件 24 上的灰塵。
- 打開盒子下方的蓋子 23 並倒出盒中的廢塵。
- 關上蓋子 23，把集塵盒從下方推入吸塵裝置 14 中，至聽見卡住聲響為止。
- 檢查過濾組件 24，如果過濾組件損壞了必須即刻換上新的組件。

**外接其他的吸塵器 (參考插圖 H)**

如果外接其它的吸塵器則必須使用轉接盒 25 (附件)。把轉接盒安裝在吸塵裝置 14 中的集塵盒 9 的安裝位置上。

- 拆卸集塵盒 9 按下兩個解鎖按鍵 11，並向下抽拉位在吸塵裝置 14 中的集塵盒。
- 從下方把轉接盒 25 推入吸塵裝置中，至聽見卡住聲響為止。
- 把吸管 27 (附件) 插入吸管接頭 26 中。把吸管 27 的另一端安裝在吸塵器 (附件) 上。本說明書的末頁有各種吸塵器的列表清單。

根據工件的物料選擇合適的吸塵裝置。

吸塵可能危害健康，可能導致癌症或乾燥的廢塵時，務必使用特殊的吸塵裝置。

**調整鑽深 (參考插圖 I)**

使用深度尺 28 可以設定需要的鑽深 X。

- 把 SDS-plus (四坑系統) 工具插入 SDS-plus (四坑系統) 接頭 1 中，並把工具推到底。如果未安裝好工具，會影響設定深度的準確性。
- 把尚未開動的電動工具緊緊地頂在工件上。SDS-plus (四坑系統) 工具也必須緊貼著工件。
- 按下調整深度尺的按鍵 16，接著移動深度尺 28 讓插圖中標示的 X 相當于您所需要的鑽深。

**根據工具長度調整吸塵裝置 (參考插圖 J)**

使用短的工具時，可以適當地調整吸塵裝置 14 的長度，以便提高工作的舒適度。

- 按住按鍵 13，並把伸縮導引 15 推入吸塵裝置 14 中至集塵環緊靠著工具尖端為止。
- 再度按下按鍵 13 便可以拉出伸縮導引。

## 24 | 中文

**針對鑽頭的集塵環 (參考插圖 K)**

- 更換集塵環 17 時得先按下解鎖按鍵 29, 接著再從吸塵裝置中拉出集塵環。
- 安裝集塵環, 從上方把集塵環 17 壓入吸塵裝置 14 中, 至能夠聽見 卡入聲響為止。

**針對空心鑽頭的集塵環 (附件) (參考插圖 L)**

使用空心鑽頭鑽孔時, 必須以特殊的集塵環 30 (附件) 代替針對鑽頭的 集塵環 17。安裝了針對空心鑽頭的集塵環後, 不可以使用集塵盒 9 吸塵, 必須在機器上安裝轉接盒 25, (附件) 並且連接其它的吸塵器。

- 必要時得拆除針對鑽頭的集塵環 17。
- 安裝針對空心鑽頭的集塵環時, 得從上方把集塵環 30 壓入吸塵裝置中, 至能夠聽見 卡入聲響為止。
- 拆卸集塵環 30 時, 先按下固定凸起 31, 接著再向上拉出集塵環。

**操作****操作機器**

- ▶ **注意電源的電壓!** 電源的電壓必須和電動工具銘牌上標示的電壓一致。

**設定操作模式**

使用 " 正常鑽 / 震動鑽 " 的轉換開關 4, 可以變換電動工具的操作方式。

**指示:** 務必先關閉電動工具, 然後才可以改變操作功能! 否則會損壞電動工具。

- 變換操作方式前, 先按下解鎖按鍵 5 並且把 " 正常鑽 / 震動鑽 " 的轉換開關 4 擰轉的需要的位置上, 至聽見卡入聲響為止。



在混凝土或石材上進行 **震動鑽** 或鑿擊 (鑿擊時必須使用附件 MV 200) 時的開關位置。



在木材, 金屬, 陶材和塑料上進行無震動功能的 **正常鑽** 以及擰轉螺絲時的設定位置。

**改變轉向**

使用正逆轉開關 6 可以改變電動工具的轉向。

- ▶ **在電動工具完全靜止時才可以使用正逆轉開關 6。**

⌚ **正轉:** 把機器兩側的正逆轉開關 6 推到底, 讓開關停留在此符號上 ◀。

⌚ **逆轉:** 把機器兩側的正逆轉開關 6 推到底, 讓開關停留在此符號上 ▶。

進行震動鑽、正常鑽和鑿削時, 都必須把轉向設定為正轉。

**開動 / 關閉**

- 按下起停開關 8, 可以 **開動** 電動工具。
- **鎖定** 起停開關, 按住起停開關並同時按下鎖緊鍵 7。
- **關閉** 電動工具, 放開起停開關 8。如果起停開關 8 被鎖定了, 先按下起停開關緊接著再放開開關。

**調整轉速 / 沖擊次數**

隨著在起停開關 8 上施壓大小, 可以無級式地提高或降低轉速 / 沖擊次數。

輕按起停開關 8, 機器以低轉速 / 沖擊次數運作。增強施加在起停開關上的壓力, 可以提高機器的轉速 / 沖擊次數。

**過載離合器**

- ▶ **如果工具卡住了, 傳往主軸的動力會中斷。此時會產生非常大的震動力。因此操作機器時務必要用雙手握緊機器, 並且要確立足穩固。**
- ▶ **如果電動工具卡住了, 先關閉電動工具, 再取出工具。開動工具被卡住的電動工具, 會產生很高的反應力矩。**

**有關操作方式的指點**

- ▶ **維修電動工具或換裝零、配件之前, 務必從插座上拔出插頭。**

**鑿擊**

進行鑿擊時必須使用 SDS-plus (四坑系統) - 鑿刀附加件 MV 200 (附件), 這樣才能夠 把鑿刀安裝在 SDS-plus (四坑系統) - 工具接頭 1 中。

鑿擊時, 不可以安裝吸塵裝置 14。

**安裝螺絲批嘴 (參考插圖 M)**

- ▶ **先關閉電動工具, 然後再把工具放置在螺母 / 螺絲上。安裝在接頭上的工具如果仍繼續轉動, 容易從螺絲頭上滑開。**

使用螺絲批嘴時必須在機器上安裝有 SDS-plus (四坑系統) 接頭柄的通用連桿 32。

擰轉螺絲時, 不可以安裝吸塵裝置 14。

- 清潔接頭柄的末端並在接頭柄末端塗抹少許油脂。
- 把通用連桿擰入工具接頭中, 並讓連桿自動鎖定。
- 抽拉連桿, 檢查連桿是否已經正確鎖牢。
- 把螺絲批嘴插入通用連桿中。必須使用與螺絲頭大小相符的螺絲批嘴。
- 拆卸通用連桿時必須先向後抽拉鎖定套筒 3, 接著便可以從 工具接頭上取出通用連桿 32。

**維修和服務****維修和清潔**

- ▶ **維修電動工具或換裝零、配件之前, 務必從插座上拔出插頭。**



- ▶ **電動工具和通風間隙都必須保持清潔，這樣才能夠提高工作品質和安全性。**
- ▶ **如果防塵蓋壞了必須馬上更換。最好委托本公司的顧客服務處換裝。**
  - 每次操作完畢後，都得清潔工具接頭 1。

#### 更換過濾組件 (參考插圖 N)

每經過 15 個工作小時，得更換集塵盒 9 中的過濾組件 24，以確保過濾功效。

- 拆卸集塵盒 9 按下兩個解鎖按鍵 11，並向下抽拉位在吸塵裝置 14 中的集塵盒。
- 向下取出過濾組件 24 安裝新的過濾組件。
- 從下方把集塵盒推入吸塵裝置 14 中，至聽見卡住聲響為止。

**指示：** 如果過濾組件 24 損壞了必須馬上更換 (例如出現洞孔，或組件上的柔軟密封材料損壞了)。使用已經損壞的過濾組件，可能損傷電動工具。

如果已經倒空了集塵盒 9，但是吸塵功效仍未改善，此時也得更換過濾組件 24。

如果必須更換連接線，務必把這項工作交給博世或者經授權的博世電動工具顧客服務執行，以避免危害機器的安全性能。

#### 顧客服務處和顧客諮詢中心

本公司顧客服務處負責回答有關本公司產品的修理、維護和備件的問題。以下的網頁中有爆炸圖和備件的

資料：

[www.bosch-pt.com](http://www.bosch-pt.com)

博世顧客諮詢團隊非常樂意為您解答有關本公司產品及附件的問題。

當您需要諮詢或訂購備用零組件時，請務必提供本產品型號銘牌上的 10 位項目編號。

#### 台灣

台灣羅伯特博世股份有限公司

建國北路一段 90 號 6 樓

台北市 10491

電話：(02) 2515 5388

傳真：(02) 2516 1176

[www.bosch-pt.com.tw](http://www.bosch-pt.com.tw)

#### 製造商地址：

Robert Bosch Power Tools GmbH


羅伯特·博世電動工具有限公司

70538 Stuttgart / GERMANY

70538 斯圖加特 / 德國

#### 處理廢棄物

必須以符合環保的方式，回收再利用損壞的機器、附件和廢棄的包裝材料。

 不可以把電動工具丟入家庭垃圾中。

保留修改權。

設備名稱：鏈鑽，型號：GBH 2 - 23 REA

限用物質及其符號

單元	鉛 (Pb)	汞 (Hg)	鎘 (Cd)	六價鉻 (Cr <sup>+6</sup> )	多溴聯苯 (PBB)	多溴二苯醚 (PBDE)
開關	—	0	0	0	0	0
電容器	0	0	0	0	0	0
馬達	0	0	0	0	0	0
電源線	0	0	0	0	0	0
外殼 (塑料)	0	0	0	0	0	0

備考 1. "超出 0.1 wt %" 及 "超出 0.01 wt %" 係指限用物質之百分比含量超出 百分比含量基準值。

備考 2. "0" 係指該項限用物質之百分比含量未超出百分比含量基準值。

備考 3. "—" 係指該項限用物質為排除項目。

## 한국어

### 안전 수칙

#### 전동공구용 일반 안전수칙

**!** 경고 모든 안전수칙과 지시 사항을 상세히 읽고 지켜야 합니다. 다음의 안전수칙과 지시 사항을 준수하지 않으면 화재 위험이 있으며 감전 혹은 중상을 입을 수 있습니다.

앞으로의 참고를 위해 이 안전수칙과 사용 설명서를 잘 보관하십시오.

다음에서 사용되는 “전동공구” 라는 개념은 전원에 연결하여 사용하는 전동 기기 (전선이 있는) 나 배터리를 사용하는 전동 기기 (전선이 없는) 를 의미합니다.

#### 작업장 안전

- ▶ 작업장을 항상 깨끗이 하고 조명을 밝게 하십시오. 작업장 환경이 어수선하거나 어두우면 사고를 초래할 수 있습니다.
- ▶ 가연성 유체, 가스 또는 분진이 있어 폭발 위험이 있는 환경에서 전동공구를 사용하지 마십시오. 전동공구는 분진이나 증기에 점화하는 스파크를 일으킬 수 있습니다.
- ▶ 전동공구를 사용할 때 구경꾼이나 어린이 혹은 다른 사람이 작업장에 접근하지 못하게 하십시오. 다른 사람이 주의를 산만하게 하면 기기에 대한 통제를 잃기 쉽습니다.

#### 전기에 관한 안전

- ▶ 전동공구의 전원 플러그가 전원 콘센트에 잘 맞아야 합니다. 플러그를 조금이라도 변경시켜서는 안됩니다. 접지된 전동공구를 사용할 때 어댑터 플러그를 사용하지 마십시오. 변형되지 않은 플러그와 잘 맞는 콘센트를 사용하면 감전의 위험을 감소할 수 있습니다.
- ▶ 파이프 관, 라디에이터, 레인지, 냉장고와 같은 접지 표면에 몸이 닿지 않도록 하십시오. 몸에 닿을 경우 감전될 위험이 높습니다.
- ▶ 전동공구를 비에 맞지 않게 하고 습기 있는 곳에 두지 마십시오. 전동공구에 물이 들어가면 감전될 위험이 높습니다.
- ▶ 전원 코드를 잡고 전동공구를 운반하거나 걸어 놓아서는 안되며, 콘센트에서 전원 플러그를 뽑을 때 전원 코드를 잡아 당겨서는 절대로 안됩니다. 전원 코드가 열과 오일에 접촉하는 것을 피하고, 날카로운 모서리나 기기의 가동 부위에 닿지 않도록 주의하십시오. 손상되거나 영킨 전원 코드는 감전을 유발할 수 있습니다.
- ▶ 실외에서 전동공구로 작업할 때는 실외용으로 적당한 연장 전원 코드만을 사용하십시오. 실외용 연장 전원 코드를 사용하면 감전의 위험을 줄일 수 있습니다.

- ▶ 전동공구를 습기 찬 곳에서 사용해야 할 경우에는 누전 차단기를 사용하십시오. 누전 차단기를 사용하면 감전 위험을 줄일 수 있습니다.

#### 사용자 안전

- ▶ 신중하게 작업하십시오. 작업을 할 때 주의를 하며, 전동공구를 사용할 때 경솔하게 행동하지 마십시오. 피로한 상태이거나 약물 복용 및 음주한 후에는 전동공구를 사용하지 마십시오. 전동공구를 사용할 때 잠시라도 주의를 산만해지면 중상을 입을 수 있습니다.
- ▶ 작업자 안전을 위한 장치를 사용하십시오. 항상 보안경을 착용하십시오. 전동공구의 종류와 사용에 따라 먼지 보호 마스크, 미끄러지지 않는 안전한 신발, 안전모 또는 귀마개 등의 안전한 복장을 하면 상해의 위험을 줄일 수 있습니다.
- ▶ 실수로 기기가 작동되지 않도록 주의하십시오. 전동공구를 전원에 연결하거나 배터리를 끼우기 전에, 혹은 기기를 들거나 운반하기 전에, 전원 스위치가 꺼져 있는지 다시 확인하십시오. 전동공구를 운반할 때 전원 스위치가 손가락을 대거나 전원 스위치가 켜진 상태에서 전원을 연결하면 사고 위험이 높습니다.
- ▶ 전동공구를 사용하기 전에 조절하는 톨이나 나사 키 등을 빼 놓으십시오. 회전하는 부위에 있는 톨이나 나사 키로 인해 상처를 입을 수 있습니다.
- ▶ 자신을 과신하지 마십시오. 불안정한 자세를 피하고 항상 평형을 이룬 상태로 작업하십시오. 안정된 자세와 평형한 상태로 작업해야만이 의외의 상황에서도 전동공구를 안전하게 사용할 수 있습니다.
- ▶ 알맞은 작업복을 입으십시오. 헐렁한 복장을 하거나 장신구를 착용하지 마십시오. 머리카락 또는 장갑이 가동하는 기기 부위에 가까이 닿지 않도록 주의하십시오. 헐렁한 복장, 장신구 혹은 긴 머리는 가동 부위에 말려 사고를 초래할 수 있습니다.
- ▶ 분진 추출장치나 수거장치의 조립이 가능한 경우, 이 장치가 연결되어 있는지, 제대로 작동이 되는지 확인하십시오. 이러한 분진 추출장치를 사용하면 분진으로 인한 사고 위험을 줄일 수 있습니다.

#### 전동공구의 올바른 사용과 취급

- ▶ 기기를 과부하 상태에서 사용하지 마십시오. 작업할 때 이에 적당한 전동공구를 사용하십시오. 알맞은 전동공구를 사용하면 지정된 성능 한도 내에서 더 효율적으로 안전하게 작업할 수 있습니다.
- ▶ 전원 스위치가 고장 난 전동공구를 사용하지 마십시오. 전원 스위치가 작동되지 않는 전동공구는 위험하므로, 반드시 수리를 해야 합니다.
- ▶ 기기에 세팅을 하거나 액세서리 부품을 교환하거나 혹은 기기를 보관할 때, 항상 전원 콘센트에서 플러그를 미리 빼어 놓으십시오. 이러한 조치는 실수로 전동공구가 작동하게 되는 것을 예방합니다.
- ▶ 사용하지 않는 전동공구는 어린이 손이 닿지 않는 곳에 보관하고, 전동공구 사용에 익숙지 않거나 이 사용 설명서를 읽지 않은 사람은 기기를 사용해서는 안

됩니다. 경험이 없는 사람이 전동공구를 사용하면 위험합니다.

- ▶ 전동공구를 조심스럽게 관리하십시오. 가동 부위가 하자 없이 정상적인 기능을 하는지, 걸리는 부위가 있는지, 혹은 전동공구의 기능에 중요한 부품이 손상되지 않았는지 확인하십시오. 손상된 기기의 부품은 전동공구를 다시 사용하기 전에 반드시 수리를 맡기십시오. 제대로 관리하지 않은 전동공구의 경우 많은 사고를 유발합니다.
- ▶ 절단 공구를 날카롭고 깨끗하게 관리하십시오. 날카로운 절단면이 있고 잘 관리된 절단공구는 걸리는 경우가 드물고 조절하기도 쉽습니다.
- ▶ 전동공구, 액세서리, 장착하는 공구 등을 사용할 때, 이 지시 사항과 특별히 기종 별로 나와있는 사용 방법을 준수하십시오. 이때 작업 조건과 실시하려는 작업 내용을 고려하십시오. 원래 사용 분야가 아닌 다른 작업에 전동공구를 사용할 경우 위험한 상황을 초래할 수 있습니다.

#### 서비스

- ▶ 전동공구 수리는 반드시 전문 인력에게 맡기고, 수리 정비 시 보쉬 순정 부품만을 사용하십시오. 그렇게 함으로써 기기의 안전성을 오래 유지할 수 있습니다.

#### 해머용 안전 수칙

- ▶ 귀마개를 착용하십시오. 소음의 영향으로 인해 청각을 상실할 수 있습니다.
- ▶ 보조 손잡이가 전동공구와 함께 공급되는 경우 이를 사용하십시오. 통제를 잃게 되면 상해를 입을 수 있습니다.
- ▶ 작업할 때 틀날이 보이지 않는 전선이나 기기 자체의 코드에 닿을 위험이 있으면 전동공구의 절연된 손잡이 면을 잡으십시오. 전류가 흐르는 전선에 접촉하게 되면 기기의 금속 부위에도 전기가 통해 감전될 위험이 있습니다.
- ▶ 보이지 않는 배관 설비를 확인하려면 적당한 탐지기를 사용하거나 담당 에너지 공급회사에 문의하십시오. 전선에 접하게 되면 화재나 전기 충격을 야기할 수 있습니다. 가스관을 손상시키면 폭발 위험이 있습니다. 수도관을 파손하게 되면 재산 피해를 유발하거나 전기 충격을 야기할 수 있습니다.
- ▶ 전동공구를 두 손으로 꼭 잡고 안전한 자세로 작업하십시오. 전동공구는 두 손으로 사용하면 더 안전합니다.
- ▶ 작업물을 잘 고정하십시오. 고정장치나 기계 바이스에 끼워서 작업하면 손으로 잡는 것보다 더 안전합니다.
- ▶ 전동공구를 내려놓기 전에 기기가 완전히 멈추는지를 확인하십시오. 벨트가 걸려 전동공구에 대한 통제가 어려워질 수 있습니다.

## 제품 및 성능 소개



모든 안전수칙과 지시 사항을 상세히 읽고 지켜야 합니다. 다음의 안전수칙과 지시 사항을 준수하지 않으면 화재 위험이 있으며 감전 혹은 중상을 입을 수 있습니다.

#### 규정에 따른 사용

본 전동공구는 콘크리트, 벽돌, 석재 등에 해머 드릴 작업을 하는데 사용해야 합니다. 또한 목재, 금속, 세라믹 그리고 플라스틱에 타격이 필요없는 드릴작업에도 적합합니다. 전자식 속도 조절 및 역회전 기능이 있는 전동공구는 또한 스크류작업을 하는 데에도 사용할 수 있습니다.

#### 제품의 주요 명칭

제품의 주요 명칭에 표기되어 있는 번호는 기기 그림이 나와있는 면을 참고하십시오.

- 1 SDS- plus 톨 홀더
- 2 먼지 보호 캡
- 3 잠금 슬라이브
- 4 “드릴작업 / 해머 드릴작업” 선택 스위치
- 5 “드릴작업 / 해머 드릴작업” 선택 스위치용 해제 버튼
- 6 회전방향 선택 스위치
- 7 전원 스위치 잠금 버튼
- 8 전원 스위치
- 9 분진 박스 세트
- 10 분진 추출장치 해제 버튼
- 11 분진 박스 해제 버튼
- 12 보조 손잡이 (절연된 손잡이 부위)
- 13 텔레스코프 가이드 조절 버튼
- 14 분진 추출장치
- 15 텔레스코프 가이드
- 16 깊이 조절자 조절용 버튼
- 17 드릴 비트용 집진기
- 18 손잡이 (절연된 손잡이 부위)
- 19 키 타입 척 안전 나사\*
- 20 키 타입 척\*
- 21 드릴 척용 SDS- plus 어댑터 축\*
- 22 분진 추출장치 가이드 홀
- 23 분진 박스 뚜껑
- 24 필터 부위
- 25 외부 분진 추출장치용 어댑터 박스\*
- 26 흡입 연결 부위\*
- 27 흡입 호스\*
- 28 깊이 조절자

**28 | 한국어**

- 29 집진기 해제 버튼
- 30 코어 비트용 집진기\*
- 31 집진기 걸쇠\*

32 SDS-plus 어댑터 축이 있는 유니버설 홀더\*  
 \*도면이나 설명서에 나와있는 액세서리는 표준 공급부품에 속하지 않습니다. 전체 액세서리는 저희 액세서리 프로그램을 참고하십시오.

**제품 사양**

해머 드릴	GBH 2-23 REA	
제품 번호	3 611 B50 5..	
속도 제어	●	
역회전 기능	●	
분진 추출장치	●	
소비 전력	W	710
타격률	min <sup>-1</sup>	0-4400
EPTA-Procedure 05/2009 에 따른 스트로크당 충격 에너지	J	2.5
속도	rpm	0-1000
툴 홀더	SDS- plus	
스핀들 넥 직경	mm	43 (유로 규격)
분진 추출장치가 없을 경우 최대 천공 직경:		
- 콘크리트	mm	23
- 벽돌 (코어 비트 사용 시)	mm	68
- 철재	mm	13
- 목재	mm	30
분진 추출장치가 있을 경우 최대 천공 직경:		
- 콘크리트	mm	16
- 벽돌 (코어 비트 사용 시)	mm	68
흡입 성능	l/min	450
분진 박스 용량 (수평 드릴작업 시)		
- 천공 6 x 30 mm	개수	100
- 천공 8 x 30 mm	개수	60
- 천공 12 x 50 mm	개수	16
EPTA 공정 01:2014 에 따른 중량	kg	3.6
분진 추출장치 비포함 중량	kg	2.9
안전 등급	□/II	

자료는 정격 전압 [U] 230 V 를 기준으로 한 것입니다. 전압이 낮거나 각국의 특수한 모델에 따라 달라질 수 있습니다.

**조립**

▶ 전동공구를 보수 정비하기 전에 반드시 콘센트에서 전원 플러그를 빼십시오.

**보조 손잡이**

▶ 반드시 보조 손잡이 12 를 장착하여 전동공구를 사용하십시오.

**보조 손잡이 조절하기 (그림 A 참조)**

보조 손잡이 12 는 안전하고 피로가 적은 자세로 작업할 수 있도록 모든 위치로 움직여 조립할 수 있습니다.  
 - 보조 손잡이 12 의 아래 쪽을 시계 반대 방향으로 돌리고 보조 손잡이 12 를 원하는 위치로 돌립니다. 그리고 나서 보조 손잡이 12 의 아래 쪽을 시계 방향으로 다시 돌려 조립합니다.

**드릴 척과 비트 선택하기**

해머 드릴작업을 하거나 치즐작업 (별매 액세서리 MV 200 을 사용하는 경우에만 가능) 을 하려면 SDS-plus 드릴 척에 끼우는 SDS-plus 드릴 비트가 필요합니다.

목재, 금속, 세라믹 그리고 플라스틱에 타격없이 드릴작업을 하거나 스크류작업을 하려면 SDS-plus 가 아닌 비트를 사용해야 합니다 (예를 들면 실린더 축이 있는 드릴 비트). 이러한 비트를 사용할 경우 순간 교환 키레스 척이나 키 타입 척이 필요합니다.

### 키 타입 칩 교환하기

SDS- plus 가 아닌 비트 ( 예를 들면 실린더 샤프트가 있는 드릴 비트 ) 로 작업하려면 , 적당한 드릴 칩을 조립해서 사용해야 합니다 ( 키 타입 칩이나 순간 교환 키레스 칩 , 별매 액세서리 ) .

### 키 타입 칩 조립하기 ( 그림 B 참조 )

- SDS- plus 어댑터 축 **21** 을 키 타입 칩 **20** 안으로 돌려 끼웁니다 . 키 타입 칩 **20** 에 안전 나사 **19** 를 끼워 안전하게 합니다 . **이때 안전 나사가 원나사라는 것에 주의하십시오 .**

### 키 타입 칩 장착하기 ( 그림 C 참조 )

- 어댑터 축의 끼워지는 부분을 깨끗이 닦고 약간 그리스를 바릅니다 .
- 어댑터 축이 있는 키 타입 칩이 자동으로 잠길 때까지 틀 돌더 안으로 돌리면서 끼웁니다 .
- 키 타입 칩을 당겨보아 제대로 잠겼는지 확인해 보십시오 .

### 키 타입 칩 탈착하기

- 잠금 슬라이브 **3** 을 뒤로 당긴 상태에서 키 타입 칩 **20** 을 뺍니다 .

### 액세서리의 교환

먼지 막이 캡 **2** 은 드릴작업 시 발생하는 먼지가 스며드는 것을 거의 방지합니다 . 비트를 끼울 때 먼지 막이 캡 **2** 이 손상되지 않도록 주의하십시오 .

- ▶ **손상된 먼지 막이 캡은 즉시 교환해야 합니다 . 서비스 센터에 의뢰하여 교환하도록 하는 것이 좋습니다 .**

### SDS- plus 삽입 비트 장착하기 ( 그림 D 참조 )

SDS- plus 드릴 칩을 사용하면 별도의 공구를 사용하지 않고도 간단하고 쉽게 비트를 교환할 수 있습니다 .

- 끼우려는 비트의 끝 부분을 깨끗이 닦고 그리스를 바릅니다 .
- 비트가 저절로 잠길 때까지 틀 돌더에 돌리면서 끼웁니다 .
- 비트를 잡아당겨 보아 제대로 끼워졌는지 확인해 보십시오 .

SDS- plus 비트는 시스템상 충분히 움직이게 되어 있습니다 . 그래서 공전 상태에서 편심 현상이 생기지만 드릴작업 시에는 다시 저절로 중심을 잡습니다 . 이는 작업의 정확성에 어떠한 영향도 미치지 않습니다 .

### SDS- plus 삽입 비트 탈착하기 ( 그림 E 참조 )

- 잠금 슬라이브 **3** 을 뒤로 당긴 상태에서 비트를 뺍니다 .

### SDS- plus 가 아닌 삽입 비트 장착하기

**참고 :** 해머 드릴작업이나 치출작업을 할 때

SDS- plus 가 아닌 비트를 사용하지 마십시오 !

SDS- plus 가 아닌 비트와 그 드릴 칩이 해머 드릴작업과 치출작업으로 인해 손상됩니다 .

- 키 타입 칩 **20** 을 끼웁니다 ( “ 키 타입 칩 교환하기 ” 참조 , 29 쪽 ) .

- 키 타입 칩 **20** 을 비트가 끼워질 수 있을 정도 까지 돌려 열어 준 다음에 비트를 끼웁니다 .
- 드릴 칩 키를 키 타입 칩 **20** 의 각 구멍에 끼우고 비트를 고루 조입니다 .
- 선택 스위치 **4** 를 “ 드릴작업 ” 위치에 맞추십시오 .

### SDS- plus 가 아닌 삽입 비트 탈착하기

- 드릴 칩 키를 사용하여 키 타입 칩 **20** 의 슬라이브를 비트가 빠질 때까지 시계 반대 방향으로 돌립니다 .

### 분진 추출장치

- ▶ **납 성분을 포함한 페인트나 몇몇 나무 종류 , 또는 광물 성분 그리고 철과 같은 재료의 분진은 건강을 해칠 수 있습니다 . 이 분진을 만지거나 호흡할 경우 , 사용자나 주변 사람들은 알레르기 반응이나 호흡기 장애를 일으킬 수 있습니다 .** 락나나무나 너도밤나무와 같은 특정한 분진은 암을 유발시키며 , 특히 목재 처리용으로 사용되는 부가 원료 ( 크로마트 , 목재 보호제 ) 와 혼합되면 암을 유발 시키게 됩니다 . 석면 성분을 포함한 재료는 오직 전문가가 작업을 해야 합니다 .

- 가능하면 작업물 소재에 적당한 분진 추출장치를 사용하십시오 .
- 작업장의 통풍이 잘 되도록 하십시오 .
- 필터등급 P2 가 장착된 호흡 마스크를 사용하십시오 .

작업용 재료에 관해 국가가 지정한 규정을 고려 하십시오 .

- ▶ **작업장에 분진이 쌓이지 않도록 하십시오 .** 분진이 쉽게 발화할 수 있습니다 .

- ▶ **주의 , 화재 위험 ! 분진 추출장치를 조립한 상태로 목재나 금속 소재에 작업해서는 안됩니다 .** 뜨거운 금속 조각으로 인해 불이 나거나 분진 추출장치 부분에 점화될 수 있습니다 .

**참고 :** 치출작업이나 스크류작업을 할 때 분진 추출장치 **14** 를 사용하지 마십시오 .

분진 추출장치 **14** 는 작업 시 집진기가 항상 작업물 표면에 밀접하게 닿도록 뒤로 밀려납니다 . 분진 추출장치는 전동공구와 함께 자동으로 스위치가 켜지고 꺼집니다 .

분진 추출을 최적으로 유지하려면 다음 사항을 준수해야 합니다 :

- 사용하는 비트가 집진기 **17** 이나 **30** 밖으로 나와서는 안됩니다 ( 예를 들면 SDS-plus 드릴 비트 : 최대 총 길이 약 160 mm , 작업 길이 약 100 mm ) .
- 집진기가 작업물과 일직선 상에 있거나 벽에 밀접하게 닿도록 해야 합니다 . 그래야 만이 동시에 수직작업이 용이하기 때문입니다 .
- 원하는 천공 깊이가 되고 나면 드릴을 먼저 천공 구멍에서 뺀 다음에 스위치를 끄십시오 .
- 필터 **24** 의 상태를 정기적으로 확인하십시오 . 필터가 손상된 경우 즉시 교환해 주십시오 .

30 | 한국어

**분진 추출장치 탈착하기 / 장착하기 (그림 F 참조)**

- 분진 추출장치를 탈착하려면 해제 버튼 **10**을 누른 상태로 분진 추출장치를 앞으로 당겨 빼십시오. 이때 경우에 따라 보조 손잡이 **12**를 옆으로 돌리십시오.
- 분진 추출장치 **14**를 장착하려면 가이드 홈 **22**이 전동공구에 있는 끼우는 부위 안으로 분명히 끼워지는 소리가 들릴 때까지 밀어 넣습니다.

**분진 박스가 장착된 통합 분진 장치 (그림 G 참조)**

분진 박스 **9**의 충전 상태는 투명한 뚜껑 **23**을 통해 확인할 수 있습니다.

분진 박스를 적시에 비워 주어야 만이 흡입 성능이 정상으로 유지됩니다.

- 분진 박스 **9**를 탈착하려면 양쪽 해제 버튼 **11**을 누른 상태에서 분진 박스를 분진 추출장치 **14** 아래 쪽으로 잡아 당깁니다.
- 분진 박스 **9**를 열기 전에 필터 **24**에 있는 분진을 털기 위해 단단한 바닥에 살짝 두드리십시오.
- 아래 쪽에 있는 뚜껑 **23**을 누르고 분진 박스를 비워 주십시오.
- 뚜껑 **23**을 닫고 분진 박스를 다시 분진 추출장치 **14**에 아래 쪽으로 끼워 분명히 걸리는 소리가 날 때까지 밀어 넣습니다.
- 필터 **24**이 손상되지 않았는지 확인하고, 손상된 경우 바로 교환해 주십시오.

**외부 분진 처리 (그림 H 참조)**

진공 청소기를 사용하여 분진 처리를 하려면 분진 추출장치 **14**에 들어가는 분진 박스 **9** 대신에 어댑터 박스 **25** (별매 액세서리)를 끼워야 합니다.

- 분진 박스 **9**를 탈착하려면 양쪽 해제 버튼 **11**을 누른 상태에서 분진 박스를 분진 추출장치 **14** 아래 쪽으로 잡아 당깁니다.
- 어댑터 박스 **25**를 분진 추출장치 아래 쪽으로 끼워 분명히 걸리는 소리가 날 때까지 밀어 넣습니다.
- 흡입 호스 **27** (별매 액세서리)을 흡입 연결 부위 **26**에 끼웁니다. 흡입 호스 **27**을 진공 청소기 (별매 액세서리)에 연결하십시오. 연결이 가능한 진공 청소기 목록이 이 사용 설명서 후면에 나와 있습니다.

진공 청소기는 작업하는 소재에 적당한 것이어야 합니다.

특히 건강에 유해한 발암성 혹은 건조한 분진을 처리해야 할 경우에는 특수한 청소기를 사용해야 합니다.

**천공 깊이 조절하기 (그림 I 참조)**

원하는 천공 깊이 **X**는 깊이 조절자 **28**로 조절할 수 있습니다.

- SDS-plus 비트를 SDS-plus 툴 홀더 **1**의 끝까지 밀어 넣습니다. SDS-plus 비트가 움직이게 되면 천공 깊이를 정확하게 세팅할 수 없게 됩니다.
- 전동공구의 스위치를 켜지 않은 상태로 드릴작업을 하려는 부위에 바삭 땁니다. 이때 SDS-plus 비트가 표면에 닿아야 합니다.

- 깊이 조절자 조절용 버튼 **16**을 누른 상태로 깊이 조절자 **28**을 그림에 나와있는 간격 **X**가 원하는 천공 깊이가 될 때까지 조절하십시오.

**분진 추출장치를 비트 길이에 맞추기 (그림 J 참조)**

- 짧은 비트로 손쉽게 작업하기 위해 분진 추출장치 **14**의 길이를 조절할 수 있습니다.
- 버튼 **13**을 누른 상태로 텔레스코프 가이드 **15**를 집진기가 비트의 앞부분에 가까이 될 때까지 분진 추출장치 **14** 안으로 밀어 넣습니다.
- 텔레스코프 가이드를 다시 빼려면 버튼 **13**을 다시 누르십시오.

**드릴 비트용 집진기 (그림 K 참조)**

- 집진기 **17**을 교환하려면 해제 버튼 **29**을 누른 상태로 집진기를 분진 추출장치에서 빼면 됩니다.
- 집진기 **17**을 장착하려면 위에서 부터 분진 추출장치 **14** 안으로 분명히 걸리는 소리가 날 때까지 눌러 끼웁니다.

**코어 비트용 집진기 (별매 액세서리) (그림 L 참조)**

코어 비트를 사용하는 드릴작업의 경우 드릴 비트 집진기 **17**을 특수한 집진기 **30** (별매 액세서리)로 교환해야 합니다. 코어 비트용 집진기를 사용할 경우 분진 추출장치가 있는 분진 박스 **9**가 아니라 어댑터 박스 **25** (별매 액세서리)를 장착해야 합니다.

- 필요에 따라 드릴 비트용 집진기 **17**을 빼십시오.
- 코어 비트용 집진기 **30**을 장착하려면 이를 위에서 부터 분진 추출장치 안으로 분명히 걸리는 소리가 날 때까지 눌러 끼웁니다.
- 집진기 **30**을 탈착하려면 집진기 걸쇠 **31**을 바깥 쪽으로 누르고 집진기를 위로 당겨 뺍니다.

**작동**

**기계 시동**

▶ **공공 배전 전압에 주의! 공급되는 전원의 전압은 전동공구의 명판에 표기된 전압과 동일해야 합니다.**

**작동 모드 설정하기**

“드릴작업 / 해머 드릴작업” 선택 스위치 **4**로 전동공구의 작동 모드를 선택할 수 있습니다.

**참고:** 전동공구 스위치가 꺼진 상태에서만 작동 모드를 변경하십시오! 그렇지 않으면 전동공구가 손상될 수 있습니다.

- 작동 모드를 변경하려면 해제 버튼 **5**를 누른 상태에서 “드릴작업 / 해머 드릴작업” 선택 스위치 **4**를 분명히 걸리는 소리가 날 때까지 원하는 위치로 돌리십시오.



콘크리트나 석재에 **해머 드릴작업**을 하거나 치질작업 (별매 액세서리 MV 200을 사용하는 경우에만 가능)을 할 때 위치



목재, 금속, 세라믹 그리고 플라스틱에 드릴작업을 하거나 스크류작업을 할 때 위치

### 회전방향 설정하기

회전방향 선택 스위치 6으로 전동공구의 회전방향을 바꿀 수 있습니다.

▶ **회전방향 선택 스위치 6은 전동공구가 정지된 상태에서만 사용해야 합니다.**

⌚ **우회전:** 회전방향 선택 스위치 6의 양쪽이 ← 위치가 되도록 끝까지 밀니다.

⌚ **좌회전:** 회전방향 선택 스위치 6의 양쪽이 → 위치가 되도록 끝까지 밀니다.

해머 드릴작업, 드릴작업 혹은 치출작업을 하려면 회전방향이 반드시 우회전에 있어야 합니다.

### 전원 스위치 작동

- 전동공구의 스위치를 켜려면 전원 스위치 8을 누릅니다.
- 전원 스위치를 잠금 상태로 유지하려면 이를 누른 상태에서 잠금 버튼 7을 누릅니다.
- 전동공구의 스위치를 끄려면 전원 스위치 8을 놓으십시오. 고정된 전원 스위치 8의 경우 먼저 눌렀다가 다시 놓습니다.

### 속도 / 타격을 조절하기

전원 스위치 8에 가하는 힘의 강약에 따라 작동 중에도 전동공구의 속도 / 타격을 무단으로 조절할 수 있습니다.

전원 스위치 8을 살짝 누르면 낮은 속도 / 타격률로 작동합니다. 좀 더 세게 누르면 속도 / 타격률이 증가합니다.

### 과부하 클러치

▶ 드릴 비트가 끼여거나 박힌 경우 드릴 스피들의 작동이 중단됩니다. 이때 생기는 충격에 대비해서 전동공구를 두 손으로 꼭 잡고 안전한 자세로 작업해야 합니다.

▶ 전동공구의 작동이 중단되면 스위치를 끄고 드릴 비트를 뺍니다. 드릴 비트가 꽂힌 상태에서 스위치를 켜면 강한 반동력이 생길 수 있습니다.

### 사용방법

▶ 전동공구를 보수 정비하기 전에 반드시 콘센트에서 전원 플러그를 빼십시오.

### 치출작업

치출작업을 하려면 SDS-plus 톨 홀더 1에 끼우는 SDS-plus 치출용 장치 MV 200 (별매 액세서리)이 필요합니다.

분진 추출장치 14가 조립된 상태에서 치출작업을 해서는 안됩니다.

### 스크류 드라이버 비트 장착하기 (그림 M 참조)

▶ 전동공구의 스위치가 꺼진 상태에서만 나사못에 대십시오. 회전하는 드릴 비트가 미끄러질 수 있습니다.

스크류 드라이버 비트를 사용하려면 SDS-plus 어댑터 축이 있는 유니버설 홀더 32 (별매 액세서리)이 필요합니다.

스크류작업을 할 때 분진 추출장치 14가 조립되어 있어서는 안됩니다.

- 어댑터 축의 끼워지는 부분을 깨끗이 닦고 약간 그리스를 바릅니다.
- 유니버설 홀더가 저절로 잠길 때까지 톨 홀더 안으로 돌리면서 끼웁니다.
- 유니버설 홀더를 당겨보아 제대로 잠겼는지 확인하십시오.
- 스크류 드라이버 비트 한 개를 유니버설 홀더에 끼웁니다. 스크류 헤드에 맞는 스크류 드라이버 비트만을 사용하십시오.
- 유니버설 홀더를 빼려면 잠금 슬리브 3을 뒤로 당긴 상태에서 유니버설 홀더 32를 톨 홀더에서 빼면 됩니다.

## 보수 정비 및 서비스

### 보수 정비 및 유지

▶ 전동공구를 보수 정비하기 전에 반드시 콘센트에서 전원 플러그를 빼십시오.

▶ 안전하고 올바른 작동을 위하여 전동공구와 전동공구의 통풍구를 항상 깨끗이 하십시오.

▶ 손상된 먼지 막이 캡은 즉시 교환해야 합니다. 서비스 센터에 의뢰하여 교환하도록 하는 것이 좋습니다.

- 톨 홀더 1을 사용한 후 매번 깨끗이 닦으십시오.

### 필터 교환하기 (그림 N 참조)

필터의 성능을 유지하려면 분진 박스 9의 필터 24을 매 15 운전 시간마다 교환해 주어야 합니다.

- 분진 박스 9를 탈착하려면 양쪽 해제 버튼 11을 누른 상태에서 분진 박스를 분진 추출장치 14 아래 쪽으로 잡아 당깁니다.
- 필터 24를 위로 빼내고 새로운 필터를 끼웁니다.
- 분진 박스를 분명히 걸리는 소리가 날 때까지 다시 분진 추출장치 14 아래 쪽으로 끼워 넣습니다.

**참고:** 필터 24이 손상된 경우 (구멍이 나거나 부드러운 밀폐 소재가 손상된 경우) 바로 교환해 주십시오. 손상된 필터로 작업할 경우 전동공구가 손상될 수 있습니다.

분진 박스 9가 비어 있는데도 흡입 성능이 좋지 않을 경우에도 필터 24를 교환해 주십시오.

연결 코드를 교환해야 할 경우 안전을 기하기 위해 보쉬사나 보쉬 지정 전동공구 서비스 센터에 맡겨야 합니다.

## 32 | ภาษาไทย

**보쉬 AS 및 고객 상담**

보쉬는 귀하의 제품 및 수리에 관한 문의를 받고 있습니다.

AS 센터 정보 및 제품에 대한 고객 상담은 하기 고객 콜센터 및 이메일 상담을 이용해주시기 바랍니다.

**고객 콜센터 : 080-955-0909**

**이메일 상담 :**

**Bosch-pt.hotline@kr.bosch.com**

문의나 대체 부품 주문 시에는 반드시 제품 네임 플레이트에 있는 10 자리의 부품번호를 알려 주십시오.

Bosch Korea, RBKR  
Mechanics and Electronics Ltd.  
PT/SAX-ASA

298 Bojeong-dong Giheung-gu  
Yongin-si, Gyeonggi-do, 446-913  
080-955-0909

**처리**

기기와 액세서리 및 포장 등은 친환경적인 방법으로 재활용할 수 있도록 분류하십시오.



전동공구를 가정용 쓰레기로 처리하지 마십시오!

위 사항은 사전 예고 없이 변경될 수도 있습니다.

**ภาษาไทย****กฎระเบียบเพื่อความปลอดภัย****คำเตือนทั่วไปเพื่อความปลอดภัยในการใช้เครื่องมือไฟฟ้า**

**⚠ คำเตือน** ต้องอ่านคำเตือนเพื่อความปลอดภัยและคำสั่งทั้งหมด การไม่ปฏิบัติตามคำเตือนและคำสั่งอาจเป็นสาเหตุให้ถูกไฟฟ้าดูด เกิดไฟไหม้ และ/หรือได้รับบาดเจ็บอย่างร้ายแรง

**เก็บรักษาคำเตือนและคำสั่งทั้งหมดสำหรับเปิดอ่านในภายหลัง**

คำว่า "เครื่องมือไฟฟ้า" ในคำเตือนหมายถึง เครื่องมือไฟฟ้าของท่านที่ทำงานด้วยพลังงานไฟฟ้าที่ต่อจากเต้าเสียบ (มีสายไฟฟ้า) และเครื่องมือไฟฟ้าที่ทำงานด้วยพลังงานไฟฟ้าจากแบตเตอรี่ (ไร้สาย)

**ความปลอดภัยในสถานที่ทำงาน**

- ▶ **รักษาสถานที่ทำงานให้สะอาดและมีไฟส่องสว่าง** ที่สถานที่ที่มีดหรือกรงูร้งนามาซึ่งอุบัติเหตุ
- ▶ **อย่าใช้เครื่องมือไฟฟ้าในสภาพแวดล้อมที่เสี่ยงต่อการติดระเบิดได้** เช่น ในที่มีมีของเหลว แก๊ส หรือฝุ่นที่ติดไฟได้ เมื่อใช้เครื่องมือไฟฟ้าจะเกิดประกายไฟซึ่งอาจจุดฝุ่นหรือไอให้ลุกเป็นไฟได้

- ▶ **ขณะใช้เครื่องมือไฟฟ้าทำงาน ต้องกันเด็กและผู้ยืนดูให้ออกห่าง** การหันเหความสนใจอาจทำให้ท่านขาดการควบคุมเครื่องได้

**ความปลอดภัยเกี่ยวกับไฟฟ้า**

- ▶ **ปลั๊กของเครื่องมือไฟฟ้าต้องมีขนาดพอดีกับเต้าเสียบอย่าตัดแปลงหรือแก้ไขตัวปลั๊กอย่างเด็ดขาด** อย่าต่อปลั๊กต่อใดๆ เข้ากับเครื่องมือไฟฟ้าที่มีสายดิน ปลั๊กที่ไม่ตัดแปลงและเต้าเสียบที่เข้ากันช่วยลดความเสี่ยงจากการถูกไฟฟ้าดูด
- ▶ **หลีกเลี่ยงไม่ให้ร่างกายสัมผัสกับพื้นผิวของสิ่งของที่ต่อสายดินไว้** เช่น ท่อ เครื่องทำความร้อน เตา และตู้เย็น จะเสี่ยงอันตรายจากการถูกไฟฟ้าดูดมากขึ้นหากกระแสไฟฟ้าวิ่งผ่านร่างกายของท่านลงดิน
- ▶ **อย่าวางเครื่องมือไฟฟ้าตากฝนหรือทิ้งไว้ในที่ชื้นและหากน้ำเข้าในเครื่องมือไฟฟ้า จะเพิ่มความเสี่ยงจากการถูกไฟฟ้าดูด**
- ▶ **อย่าใช้สายไฟฟ้าอย่างผิดๆ** อย่าถือเครื่องมือไฟฟ้าที่สาย อย่าใช้สายแฉกหรือสายไฟหรืออย่าดึงสายไฟฟ้าเพื่อถอดปลั๊กออกจากเต้าเสียบ กันสายไฟฟ้าออกห่างจากความร้อน น้ำมัน ขอบแหลมคม หรือส่วนของเครื่องที่กำลังเคลื่อนไหว สายไฟฟ้าที่ชำรุดหรือพันกันยุ่งเพิ่มความเสี่ยงจากการถูกไฟฟ้าดูด
- ▶ **เมื่อใช้เครื่องมือไฟฟ้าทำงานกลางแจ้ง ให้ใช้สายไฟต่อที่ได้รับบริการรับรองให้ใช้ต่อในที่กลางแจ้งเท่านั้น** การใช้สายไฟต่อที่เหมาะสมสำหรับงานกลางแจ้งช่วยลดอันตรายจากการถูกไฟฟ้าดูด
- ▶ **หากไม่สามารถหลีกเลี่ยงการใช้เครื่องมือไฟฟ้าทำงานในสถานที่เปียกชื้นได้ ให้ใช้สวิตช์ตัดวงจรเมื่อเกิดการรั่วไหลของไฟฟ้าจากสายดิน** การใช้สวิตช์ตัดวงจรเมื่อเกิดการรั่วไหลของไฟฟ้าจากสายดินช่วยลดความเสี่ยงต่อการถูกไฟฟ้าดูด

**ความปลอดภัยของบุคคล**

- ▶ **ท่านต้องอยู่ในสภาพเตรียมพร้อม ระมัดระวังในสิ่งที่กำลังทำอยู่ และมีสติขณะใช้เครื่องมือไฟฟ้าทำงาน** อย่าใช้เครื่องมือไฟฟ้าขณะที่ท่านกำลังเหนื่อย หรืออยู่ภายใต้การครอบงำของฤทธิ์ของยาเสพติด แอลกอฮอล์ และยา เมื่อใช้เครื่องมือไฟฟ้าทำงาน ในชั่วขณะที่ท่านขาดความเอาใจใส่อาจทำให้บุคคลบาดเจ็บอย่างรุนแรงได้
- ▶ **ใช้อุปกรณ์ปกป้องร่างกาย สวมแว่นตาป้องกันเสมอ** อุปกรณ์ปกป้อง เช่น หน้ากากกันฝุ่น รองเท้ากันลื่น หมวกแข็ง หรือประภททุกชิ้นเสียงดัง ที่เลือกใช้ตามความเหมาะสมกับสภาพการทำงาน สามารถลดอันตรายต่อบุคคลได้
- ▶ **ป้องกันการติดเครื่องโดยไม่ตั้งใจ** ต้องดูให้แน่ใจว่าสวิตช์อยู่ในตำแหน่งปิดก่อนเสียบปลั๊กไฟเข้าในเต้าเสียบ และ/หรือใส่แท่งแบตเตอรี่ ยกขึ้นหรือถือเครื่องมือ การถือเครื่องโดยใช้นิ้วหัวที่สวิตช์ หรือเสียบพลังไฟฟ้าขณะสวิตช์เปิดอยู่ อาจนำไปสู่อุบัติเหตุที่ร้ายแรงได้
- ▶ **เอาเครื่องมือปรับแต่งหรือประแจปากตายออกจากเครื่องมือไฟฟ้าก่อนเปิดสวิตช์** เครื่องมือหรือประแจปากตายที่วางอยู่กับส่วนของเครื่องที่กำลังหมุนจะทำให้บุคคลบาดเจ็บได้



- ▶ หลีกเลี่ยงการตั้งค่าที่ผิดปกติ ตั้งทำยีนที่มั่นคงและวางน้ำหนักให้สมดุลตลอดเวลา ในลักษณะนี้ท่านสามารถควบคุมเครื่องมือไฟฟ้าในสถานการณ์ที่ไม่คาดคิดได้ดีกว่า
- ▶ ใส่เสื้อผ้าที่เหมาะสม อย่าใส่เสื้อผ้าหลวมหรือสวมเครื่องประดับ เอาหมวก เสื้อผ้า และถุงมือออกห่างส่วนของเครื่องที่กำลังหมุน เสื้อผ้าหลวม เครื่องประดับ และผมยาวอาจเข้าไปติดในส่วนของเครื่องที่กำลังหมุนได้
- ▶ หากต้องต่อเครื่องมือไฟฟ้าเข้ากับเครื่องดูดฝุ่นหรือเครื่องเก็บผง ดูให้แน่ใจว่าการเชื่อมต่อและการใช้งานเป็นไปอย่างถูกต้อง การใช้อุปกรณ์ดูดฝุ่นช่วยลดอันตรายที่เกิดจากฝุ่นได้

#### การใช้และการดูแลรักษาเครื่องมือไฟฟ้า

- ▶ อย่าใช้เครื่องมือไฟฟ้าอย่างหักโหม ใช้เครื่องมือไฟฟ้าที่ถูกต้องตรงตามลักษณะงาน เครื่องมือไฟฟ้าที่ถูกต้องจะทำงานได้ดีกว่าและปลอดภัยกว่าในระดับสมรรถภาพที่ออกแบบไว้
- ▶ อย่าใช้เครื่องมือไฟฟ้าที่สวิทช์เปิดปิดเสีย เครื่องมือไฟฟ้าที่ไม่สามารถควบคุมการเปิดปิดด้วยสวิทช์ได้ เป็นเครื่องมือไฟฟ้าที่ไม่ปลอดภัยและต้องส่งซ่อมแซม
- ▶ ก่อนปรับแต่งเครื่อง เปลี่ยนอุปกรณ์ประกอบ หรือเก็บเครื่องเข้าที่ ต้องถอดปลั๊กไฟออกจากเต้าเสียบและ/หรือถอดแฉกแบตเตอรี่ออกจากเครื่องมือไฟฟ้า มาตรวจการป้องกันเพื่อความปลอดภัยนี้ช่วยลดความเสี่ยงจากการติดเครื่องโดยไม่ได้ตั้งใจ
- ▶ เมื่อเลิกใช้งานเครื่องมือไฟฟ้า ให้เก็บเครื่องไว้ในที่ที่เด็กหยิบไม่ถึง และไมอนุญาตให้บุคคลที่ไม่คุ้นเคยกับเครื่องหรือบุคคลที่ไม่ได้อ่านคำแนะนำนี้ใช้เครื่องมือไฟฟ้าเป็นของอันตรายหากตกอยู่ในมือของผู้ใช้ที่ไม่ได้รับการฝึกฝน
- ▶ เอาใจใส่ดูแลรักษาเครื่อง ตรวจสอบหาส่วนที่เคลื่อนไหวได้ของเครื่องว่าวางอยู่ตรงแนวหรือติดขัดหรือไม่ ตรวจสอบการแตกหักของชิ้นส่วนและสภาพอื่นใดที่อาจมีผลต่อการทำงานของเครื่องมือไฟฟ้า หากชำรุดต้องส่งเครื่องมือไฟฟ้าซ่อมแซมก่อนใช้งาน อุบัติเหตุหลายอย่างเกิดขึ้นเนื่องจากดูแลรักษาเครื่องไม่ดีพอ
- ▶ รักษาเครื่องมือตัดให้คมและสะอาด หากบำรุงรักษาเครื่องมือที่มีขอบตัดแหลมคมอย่างถูกต้อง จะสามารถตัดได้ลื่นไม่ติดขัดและควบคุมได้ง่ายกว่า
- ▶ ใช้เครื่องมือไฟฟ้า อุปกรณ์ประกอบ เครื่องมือ และอุปกรณ์อื่นๆ ให้ตรงตามคำแนะนำนี้ และในลักษณะตามที่เครื่องมือไฟฟ้าประเภทนั้นๆ กำหนดไว้ โดยต้องคำนึงถึงเงื่อนไขการทำงานและงานที่จะทำด้วย การใช้เครื่องมือไฟฟ้าทำงานที่ต่างไปจากวัตถุประสงค์การใช้งานของเครื่อง อาจนำไปสู่สถานการณ์ที่เป็นอันตรายได้

#### การบริการ

- ▶ ส่งเครื่องมือไฟฟ้าให้ช่างผู้เชี่ยวชาญตรวจสอบและใช้อะไหล่เปลี่ยนของแท้เท่านั้น ในลักษณะนี้ท่านจะแน่ใจได้ว่าเครื่องมือไฟฟ้าอยู่ในสภาพที่ปลอดภัย

#### คำเตือนเพื่อความปลอดภัยสำหรับส่วนต่อ

- ▶ สวมประภทป้องกันเสียงดัง การรับฟังเสียงดังอาจทำให้ท่านสูญเสียการได้ยิน
- ▶ หากด้ามจับเพิ่มจัดส่งมาพร้อมกับเครื่อง ให้ใช้ด้ามจับเพิ่มร่วมด้วย การสูญเสียการควบคุมอาจทำให้บุคคลบาดเจ็บได้
- ▶ เมื่อทำงานในบริเวณที่อุปกรณ์ตัดอาจสัมผัสกับสายไฟฟ้าที่ซ่อนอยู่หรือสายไฟฟ้าของเครื่อง ต้องจับเครื่องมือไฟฟ้าตรงด้ามจับที่หุ้มฉนวน หากอุปกรณ์ตัดสัมผัสกับสายที่มีกระแสไฟฟ้าไหลผ่านจะทำให้ส่วนที่เป็นโลหะของเครื่องมือไฟฟ้าเกิดมีกระแสไฟฟ้าด้วย และส่งผลให้ผู้ใช้เครื่องมือถูกไฟฟ้ากระตุกได้
- ▶ ใช้เครื่องตรวจที่เหมาะสมตรวจหาท่อ สายไฟฟ้า หรือสายโทรศัพท์ ที่อาจซ่อนอยู่ในบริเวณที่ทำงาน หรือขอความช่วยเหลือจากบริษัทสาธารณูปโภคในท้องถิ่น การสัมผัสกับสายไฟฟ้าอาจทำให้เกิดไฟไหม้หรือถูกไฟฟ้าดูด การทำให้ท่อแก๊สเสียหายอาจทำให้เกิดระเบิด การเจาะเข้าในท่อน้ำทำให้ทรัพย์สินเสียหาย หรืออาจเป็นเหตุให้ถูกไฟฟ้าดูดได้
- ▶ เมื่อใช้เครื่องทำงาน ต้องใช้มือทั้งสองจับเครื่องให้แน่น และตั้งทำยีนที่มั่นคงเสมอ เครื่องมือไฟฟ้าสามารถเคลื่อนมาได้มั่นคงกว่าเมื่อใช้มือทั้งสองข้างจับ
- ▶ ยึดชิ้นงานให้แน่น การยึดชิ้นงานด้วยเครื่องหนีบหรือแท่นจับจะมั่นคงกว่าการยึดด้วยมือ
- ▶ ก่อนวางเครื่องลงบนพื้นทุกครั้งต้องรอให้เครื่องหยุดนิ่งอยู่กับที่เสมอ มิฉะนั้นเครื่องมือที่ปล่อยอาจดิ้นขัดและนำไปสู่การสูญเสียการควบคุมเครื่องมือไฟฟ้า

#### รายละเอียดผลิตภัณฑ์และข้อมูลจำเพาะ



ต้องอ่านคำเตือนเพื่อความปลอดภัยและคำสั่งทั้งหมด การไม่ปฏิบัติตามคำเตือนและคำสั่งอาจเป็นสาเหตุให้ถูกไฟฟ้าดูด เกิดไฟไหม้ และ/หรือได้รับบาดเจ็บอย่างร้ายแรง

#### ประโยชน์การใช้งานของเครื่อง

เครื่องนี้ใช้สำหรับเจาะตอกในคอนกรีต อิฐ และหิน นอกจากนี้ยังเหมาะสำหรับเจาะโดยไม่กระทบแก๊สในไม้ โลหะ เซรามิก และพลาสติกเครื่องที่มีระบบควบคุมอิเล็กทรอนิกส์และการหมุนช่วย/ขวาสามารถใช้ขันสลักูได้ด้วย

#### ส่วนประกอบผลิตภัณฑ์

ลำดับเลขของส่วนประกอบผลิตภัณฑ์อ้างอิงถึงส่วนประกอบของเครื่องที่แสดงในหน้าภาพประกอบ

- 1 ด้ามจับเครื่องมือ SDS-plus
- 2 ฝาครอบกันฝุ่น
- 3 ปลอกสำหรับล้อ
- 4 สวิทช์สลับสำหรับการเจาะ/การเจาะตอก
- 5 ปุ่มปลดล๊อคสวิทช์สลับสำหรับการเจาะ/การเจาะตอก
- 6 สวิทช์เปลี่ยนทิศทางการหมุน
- 7 ปุ่มล๊อคสวิทช์เปิด-ปิด

**34 | ภาษาไทย**

- |  |   |
|--|---|
| <b>8</b> สวิตช์เปิด-ปิด                        | <b>22</b> ร่องนำสำหรับอุปกรณ์ดูดฝุ่น            |
| <b>9</b> กล่องเก็บผง สมบูรณ์แบบ                | <b>23</b> ฝาปิดกล่องเก็บผง                      |
| <b>10</b> ปุ่ม มปลดล็คอุปกรณ์ดูดฝุ่น           | <b>24</b> ตัวกรอง                               |
| <b>11</b> ปุ่ม มปลดล็คกล่องเก็บผง              | <b>25</b> กล่องเชื่อมต่อสำหรับการดูดฝุ่นภายนอก* |
| <b>12</b> ด้ามจับเพิ่ม (พื้นผิวจับหุ้มฉนวน)    | <b>26</b> ท่อต่อดูดฝุ่น*                        |
| <b>13</b> ปุ่ม มปรับลากล่องนำ                  | <b>27</b> ท่อดูดฝุ่น*                           |
| <b>14</b> การดูดฝุ่น                           | <b>28</b> ก้านวัดความลึก                        |
| <b>15</b> ลากล่องนำ                            | <b>29</b> ปุ่มปลดล็อคแหวนเก็บฝุ่น               |
| <b>16</b> ปุ่ม มปรับก้านวัดความลึก             | <b>30</b> แหวนเก็บฝุ่นสำหรับดอกถอนแกน*          |
| <b>17</b> แหวนเก็บฝุ่นสำหรับดอกสว่าน           | <b>31</b> ขอสลักแหวนเก็บฝุ่น*                   |
| <b>18</b> ด้ามจับ (พื้นผิวจับหุ้มฉนวน)         | <b>32</b> ด้ามจับดอกทั่วไปที่มีก้าน SDS-plus*   |
| <b>19</b> สกรูยึดสำหรับหัวจับดอกชนิดมีเฟืองใน* |   |
| <b>20</b> หัวจับดอกชนิดมีเฟืองใน*              |   |
| <b>21</b> ก้านปรับ SDS-plus สำหรับหัวจับดอก*   |   |

\* อุปกรณ์ประกอบที่แสดงหรือระบุไม่รวมอยู่ในการจัดส่งมาตรฐาน กรุณาดูอุปกรณ์ประกอบทั้งหมดในรายการแสดงอุปกรณ์ประกอบของเรา

**ข้อมูลทางเทคนิค**

ส่วนโรตารี	GBH 2-23 REA	
หมายเลขสินค้า		3 611 B50 5..
การควบคุมความเร็วรอบ		●
การหมุนซ้าย/ขวา		●
การดูดฝุ่น		●
กำลังไฟฟ้าเข้ากำหนด	วัตต์	710
อัตรากระแสแตก	/นาที	0–4400
พลังงานกระแทกต่อครั้งตามระเบียบการ-EPTA-Procedure 05/2009	จูล	2.5
ความเร็วรอบ	รอบ/นาที	0–1 000
ด้ามจับเครื่องมือ		SDS-plus
เส้นผ่าศูนย์กลางปลอกหุ้มเพลลา	มม.	43 (มาตรฐาน-Euro)
เส้นผ่าศูนย์กลางการเจาะ ไม่มีการดูดฝุ่น สูงสุด:		
- คอนกรีต	มม.	23
- งานก่ออิฐ (ใช้ดอกถอนแกน)	มม.	68
- เหล็กกล้า	มม.	13
- ไม้	มม.	30
เส้นผ่าศูนย์กลางการเจาะ มีการดูดฝุ่น สูงสุด:		
- คอนกรีต	มม.	16
- งานก่ออิฐ (ใช้ดอกถอนแกน)	มม.	68
ประสิทธิภาพการดูด	ลิตร/วินาที	450
ความสามารถของกล่องเก็บผง (สำหรับการเจาะแนวราบ)		
- รูเจาะ 6 x 30 มม.	การเจาะ	100
- รูเจาะ 8 x 30 มม.	การเจาะ	60
- รูเจาะ 12 x 50 มม.	การเจาะ	16
น้ำหนักตามระเบียบการ-EPTA-Procedure 01:2014	กก.	3.6
น้ำหนักไม่รวมอุปกรณ์ดูดฝุ่น	กก.	2.9
ระดับความปลอดภัย		□/II
ค่าที่ใช้ได้กับแรงดันไฟฟ้าระบุ [U] 230 โวลต์ ค่าเหล่านี้อาจผิดเพี้ยนไปสำหรับแรงดันไฟฟ้าที่ต่ำกว่า และไม่เคลือบสำหรับเฉพาะประเทศ		

## การประกอบ

- ▶ **ดึงปลั๊กไฟออกจากเต้าเสียบก่อนปรับแต่งเครื่อง**

### ตามจับเพิ่ม

- ▶ **ให้ใช้เครื่องมือไฟฟ้าพร้อมกับตามจับเพิ่ม 12 เสมอ**

### การหมุนตามจับเพิ่ม (ดูภาพประกอบ A)

ท่านสามารถจับตามจับเพิ่ม 12 หันไปยังตำแหน่งใดก็ได้ เพื่อจะได้ทำงานที่มั่นคงและเหนียวน้อย

- หมุนส่วนล่างของตามจับเพิ่ม 12 ไปในทิศทางเข็มนาฬิกา และหันตามจับเพิ่ม 12 ไปยังตำแหน่งที่ต้องการ จากนั้นขันตามจับเพิ่ม 12 เข้าให้แน่นเหมือนเดิม โดยหมุนไปในทิศทางเข็มนาฬิกา

### การเลือกหัวจับดอกและเครื่องมือ

สำหรับการเจาะดอกและการสกัด (สกัดด้วยอุปกรณ์ประกอบ MV 200 เท่านั้น) ต้องใช้เครื่องมือ SDS-plus ที่ใส่เข้าไปในหัวจับดอก SDS-plus

สำหรับการเจาะโดยไม่กระทบแก๊สในไม้ โลหะ เซรามิก และพลาสติก รวมทั้งการขันสกรู ต้องใช้เครื่องมือที่ไม่มี SDS-plus (ต.ย. เช่น ดอกสว่านที่มีก้านทรงกระบอก) ต้องใช้หัวจับดอกไร้เฟืองในหรือหัวจับดอกที่มีเฟืองในสำหรับเครื่องมือเจาะประเภทนี้

### การเปลี่ยนหัวจับดอกชนิดมีเฟืองใน

เมื่อใช้เครื่องมือที่ไม่มี SDS-plus ทำงาน (ต.ย. เช่น ดอกสว่านที่มีก้านทรงกระบอก) ต้องประกอบหัวจับดอกที่เหมาะสมเข้า (หัวจับดอกชนิดมีเฟืองในหรือไร้เฟืองใน อุปกรณ์ประกอบ)

### การประกอบหัวจับดอกชนิดมีเฟืองใน (ดูภาพประกอบ B)

- ขันก้านปรับ SDS-plus 21 เข้าในหัวจับดอกชนิดมีเฟืองใน 20 ยึดหัวจับดอกชนิดมีเฟืองใน 20 ด้วยสกรูยึด 19 กรุณาสังเกตว่าสกรูยึดมีเกลียวหมุนทางซ้าย

### การใส่หัวจับดอกชนิดมีเฟืองใน (ดูภาพประกอบ C)

- ทำความสะอาดปลายก้านปรับ และเคลือบจาระบีบางๆ
- จับหัวจับดอกชนิดมีเฟืองในพร้อมก้านปรับหมุนใส่ในตามจับเครื่องมือจนเข้าล็อกโดยอัตโนมัติ
- ดึงหัวจับดอกชนิดมีเฟืองในเพื่อตรวจสอบการล็อก

### การถอดหัวจับดอกชนิดมีเฟืองใน

- ดันปลอกสำหรับล็อก 3 ไปด้านหลัง และดึงหัวจับดอกชนิดมีเฟืองใน 20 ออก

### การเปลี่ยนเครื่องมือ

ฝาครอบกันฝุ่น 2 สามารถป้องกันไม่ให้ฝุ่นที่เกิดจากการเจาะลอดเข้าไปในหัวจับดอกขณะปฏิบัติงานได้เป็นอย่างดี เมื่อใส่เครื่องมือ ต้องระวังอย่าทำให้ฝาครอบกันฝุ่น 2 ขาด

- ▶ **ควรเปลี่ยนฝาครอบกันฝุ่นที่ชำรุดโดยทันที เราขอแนะนำว่า ควรส่งให้ศูนย์บริการหลังการขายเปลี่ยนให้**

### การใส่เครื่องมือเจาะ SDS-plus (ดูภาพประกอบ D)

หัวจับดอก SDS-plus ทำให้ท่านสามารถเปลี่ยนเครื่องมือเจาะได้สะดวกง่ายดายโดยไม่ต้องใช้เครื่องมืออื่นๆ ช่วย

- ทำความสะอาดและทาสีบางๆ ที่ปลายก้านเครื่องมือ
- จับเครื่องมือหมุนใส่ในหัวจับดอกจนเครื่องมือล็อกตัวเอง
- ดึงเครื่องมือเพื่อตรวจสอบการล็อก

ตามเงื่อนไขของระบบทำงาน เครื่องมือเจาะ SDS-plus สามารถเคลื่อนไหวได้อย่างอิสระ ด้วยเหตุนี้ เมื่อปล่อยให้หัวจับดอก SDS-plus ว่างออกจนเครื่องมืออยู่ข้างๆ ซึ่งจะไม่ผลต่อความเที่ยงตรงของรูเจาะ เพราะเมื่อเจาะรู ดอกสว่านจะตั้งตัวให้อยู่ตรงกลางเอง

### การถอดเครื่องมือเจาะ SDS-plus (ดูภาพประกอบ E)

- ดันปลอกสำหรับล็อก 3 ไปด้านหลัง และเอาเครื่องมือออก

### การใส่เครื่องมือเจาะที่ไม่มี SDS-plus

**หมายเหตุ:** อย่าใช้เครื่องมือที่ไม่มี SDS-plus เพื่อเจาะดอกหรือสกัด! เครื่องมือที่ไม่มี SDS-plus รวมทั้งหัวจับดอกของเครื่องมืออาจชำรุดจากการเจาะดอกหรือสกัด

- ใส่หัวจับดอกชนิดมีเฟืองใน 20 (ดู "การเปลี่ยนหัวจับดอกชนิดมีเฟืองใน" หน้า 35)
- เปิดหัวจับดอกชนิดมีเฟืองใน 20 โดยการหมุนจนสามารถใส่เครื่องมือได้ จับเครื่องมือใส่เข้าไป
- ใส่ประแจหัวจับดอกเข้าไปในรูที่ลงรอยกันของหัวจับดอกชนิดมีเฟืองใน 20 และหนีบเครื่องมือเข้าเท่าๆ กัน
- สับสวิตช์ 4 ไปที่สัญลักษณ์ "การเจาะ"

### การถอดเครื่องมือเจาะที่ไม่มี SDS-plus

- หมุนปลอกของหัวจับดอกชนิดมีเฟืองใน 20 ด้วยประแจหัวจับดอกไปในทิศทางเข็มนาฬิกาจนสามารถถอดเครื่องมือเจาะออกมาได้

### การดูดฝุ่น

- ▶ ฝุ่นที่ได้จากวัสดุ เช่น เคลือบผิวที่มีสารตะกั่ว ไม้ยางประเภทแร้ธาตุ และโลหะ อาจเป็นอันตรายต่อสุขภาพ การสัมผัสหรือการหายใจเอาฝุ่นเข้าไปอาจทำให้เกิดปฏิกิริยาแพ้ฝุ่นและ/หรือนำมาซึ่งโรคติดเชื้อระบบหายใจแก่ผู้ใช้เครื่องมือหรือผู้ที่ยืนอยู่ใกล้เคียง

ฝุ่นบางประเภท เช่น ฝุ่นไม้โอ๊ก หรือไม้บีช นับเป็นสารที่ทำให้เกิดมะเร็ง โดยเฉพาะอย่างยิ่งเมื่อผสมกับสารเติมแต่งเพื่อบำบัดไม้ (โครเมต ผลิตภัณฑ์รักษาเนื้อไม้) สำหรับวัสดุที่มีแอลเบสทอสต้องให้ผู้เชี่ยวชาญทำงานเท่านั้น

- ใช้ระบบดูดฝุ่นออกที่เหมาะสมกับประเภทวัสดุ มากเท่าที่จะทำได้
- จัดสถานที่ทำงานให้มีการระบายอากาศที่ดี
- ขอแนะนำให้สวมหน้ากากป้องกันการติดเชื้อที่มีระดับ-ไส้กรอง P2

ปฏิบัติตามกฎข้อบังคับสำคัญอื่นๆ ที่เกี่ยวกับวัสดุชิ้นงานที่บังคับใช้ในประเทศของท่าน

- ▶ **ป้องกันการสะสมของฝุ่นในสถานที่ทำงาน** ฝุ่นสามารถถูกนำไ่มองอย่างง่ายดาย

- ▶ **ระวังอันตรายจากการถูกเป็นไฟ!** อย่าเจาะวัสดุที่เป็นโลหะหรือไม้โดยใช้อุปกรณ์ดูดฝุ่นร่วมด้วย เศษโลหะร้อนสามารถลุกไหม้ขึ้นเองหรือจุดชิ้นส่วนของอุปกรณ์ดูดฝุ่นให้ลุกไหม้ได้

**หมายเหตุ:** อย่าใช้อุปกรณ์ดูดฝุ่น 14 เมื่อสกัดหรือขันสกรู

### 36 | ภาษาไทย

อุปกรณ์ดูดฝุ่น **14** จะร่นกลับขณะทำงานเพื่อให้แหวนเก็บฝุ่น อยู่ชิดกับพื้นผิวโครงสร้างที่กำลังเจาะเสมอ อุปกรณ์ดูดฝุ่น เปิดและปิดสวิทช์โดยอัตโนมัติพร้อมเครื่องมือไฟฟ้า เพื่อการดูดออกให้ได้ประสิทธิภาพที่ดีที่สุด กรุณาปฏิบัติตาม ข้อสั่งเกิดดังต่อไปนี้:

- เครื่องมือเจาะที่ใช้อยู่ต้องไม่ยื่นยาวออกนอกแหวนเก็บฝุ่น **17** หรือ **30** (ตัวอย่างสำหรับดอกสว่าน SDS-plus: ความยาวทั้งหมดสูงสุดประมาณ 160 มม. ความยาว การใช้งานประมาณ 100 มม.)
- เอาใจใส่ให้แหวนเก็บฝุ่นวางทาบอย่างราบเรียบบน ชิ้นงานหรือฝาผนัง ในลักษณะนี้จะสามารถจับ เครื่องดื่มเป็นมุมจากได้ง่ายขึ้นในเวลาเดียวกัน
- เมื่อถึงความลึกการเจาะที่ต้องการแล้ว ให้เอาดอกสว่าน ออกจากรูเจาะก่อน จากนั้นจึงปิดสวิทช์เครื่อง
- ตรวจสอบสภาพตัวกรอง **24** อย่างสม่ำเสมอ เปลี่ยน ตัวกรองที่ชำรุดใหม่ทันที

#### การประกอบ/การถอดอุปกรณ์ดูดฝุ่น (รูปภาพประกอบ F)

- เมื่อต้องการถอดอุปกรณ์ดูดฝุ่น ให้กดปุ่มปลดล็อก **10** และดึงอุปกรณ์ดูดฝุ่นออกทางด้านหน้า หากจำเป็น ให้หมุนด้ามจับเพิ่ม **12** ไปทางด้านข้าง
- เมื่อต้องการประกอบอุปกรณ์ดูดฝุ่น **14** ให้เลื่อนอุปกรณ์ เข้าหาเครื่องโดยให้ร่องนำ **22** สวมบนร่องบนของ เครื่องจนได้ยินเสียงเข้าล็อก

#### การดูดฝุ่นในตัวด้วยกล่องเก็บผง (รูปภาพประกอบ G)

- สามารถตรวจสอบระดับเต็มฝุ่นของกล่องเก็บผง **9** ได้อย่างง่ายดายจากฝาปิดโปรเจกต์ **23**
- ต้องถ่ายเทกล่องเก็บผงให้ทันทั่วทั้ง มิฉะนั้นประสิทธิภาพ การดูดจะลดลง
- เมื่อต้องการถอดกล่องเก็บผง **9** ให้กดปุ่มปลดล็อกทั้งสอง **11** และดึงกล่องเก็บผงลงด้านล่างออกจากอุปกรณ์ดูดฝุ่น **14**
  - ก่อนเปิดกล่องเก็บผง **9** ควรจับกล่องเคาะเบาๆ บนพื้นแข็งเพื่อให้ฝุ่นหลุดออกจากตัวกรอง **24**
  - เปิดฝาปิดกล่องเก็บผง **23** ทางด้านท้าย และเทผงใน กล่องเก็บผงทิ้ง
  - ปิดฝาปิดกล่องเก็บผง **23** และใส่กล่องเก็บผงกลับเข้า ที่เดิมโดยจับกล่องใส่ทางด้านล่างเข้าในอุปกรณ์ดูดฝุ่น **14** จนได้ยินเสียงเข้าล็อก
  - ตรวจสอบหาจุดชำรุดที่ตัวกรอง **24** หากชำรุด ให้เปลี่ยน ตัวกรองใหม่ทันที

#### การดูดฝุ่นด้วยเครื่องดูดฝุ่นภายนอก (รูปภาพประกอบ H)

- สำหรับการดูดฝุ่นด้วยเครื่องดูดฝุ่น ต้องใช้กล่องเชื่อมต่อ **25** (อุปกรณ์ประกอบ) ที่ใส่เข้าในอุปกรณ์ดูดฝุ่น **14** แทนกล่องเก็บผง **9**
- เมื่อต้องการถอดกล่องเก็บผง **9** ให้กดปุ่มปลดล็อกทั้งสอง **11** และดึงกล่องเก็บผงลงด้านล่างออกจากอุปกรณ์ดูดฝุ่น **14**
  - ดันกล่องเชื่อมต่อ **25** จากด้านล่างเข้าในอุปกรณ์ดูดฝุ่นจน ได้ยินเสียงเข้าล็อก
  - สวมท่อดูดฝุ่น **27** (อุปกรณ์ประกอบ) เข้าบนท่อต่อดูดฝุ่น **26** ต่อท่อดูดฝุ่น **27** เข้ากับเครื่องดูดฝุ่น (อุปกรณ์ประกอบ) คำอธิบายโดยสรุปเกี่ยวกับเครื่องดูดฝุ่นประเภทต่างๆ ดูได้ ในส่วนท้ายของคู่มือนี้

เครื่องดูดฝุ่นต้องมีลักษณะการใช้งานที่เหมาะสมกับประเภทวัสดุ ชิ้นงาน

ในกรณีดูดฝุ่นแห้งที่เป็นอันตรายต่อสุขภาพอย่างยิ่งหรืออาจ ก่อให้เกิดมะเร็งได้ ให้ใช้เครื่องดูดฝุ่นพิเศษ

#### การปรับความลึกการเจาะ (รูปภาพประกอบ I)

ความลึกการเจาะที่ต้องการ **X** สามารถตั้งได้ด้วยก้านวัด ความลึก **28**

- ใส่เครื่องมือเจาะ SDS-plus เข้าในด้ามจับเครื่องมือ SDS-plus **1** จนสุด หากใส่ไม่สุดเครื่องมือเจาะ SDS-plus จะเคลื่อนที่ได้ และจะทำให้ปรับความลึกการเจาะ ได้ไม่ถูกต้อง
- จับเครื่องมือไฟฟ้าเข้าหาจุดที่จะเจาะอย่างมั่นคงโดยไม่ต้อง เปิดสวิทช์ เครื่องมือเจาะ SDS-plus ต้องหันเข้าหาพื้นผิว ที่จะเจาะ
- กดปุ่มปรับก้านวัดความลึก **16** และปรับก้านวัดความลึก **28** โดยให้ระยะห่าง **X** ในรูปเท่ากับความลึกการเจาะที่ต้องการ

#### การปรับอุปกรณ์ดูดฝุ่นให้เข้ากับความเร็วเครื่องมือ (รูปภาพประกอบ J)

- เมื่อต้องการใช้เครื่องมือเจาะขนาดเส้นทาบให้ได้ สะดวกสบายยิ่งขึ้น ต้องปรับความยาวของอุปกรณ์ดูดฝุ่น **14**
- กดปุ่ม **13** ค้างไว้ และเลื่อนลากล่องนำ **15** เข้าในอุปกรณ์ ดูดฝุ่น **14** จนแหวนเก็บฝุ่นประชิดปลายเครื่องมือเจาะ
  - เมื่อต้องการดึงลากล่องนำออก ให้กดปุ่ม **13** อีกครั้ง

#### แหวนเก็บฝุ่นสำหรับดอกสว่าน (รูปภาพประกอบ K)

- เมื่อต้องการเปลี่ยนแหวนเก็บฝุ่น **17** ให้กดปุ่มปลดล็อก **29** และดึงแหวนเก็บฝุ่นออกจากอุปกรณ์ดูดฝุ่น
- เมื่อต้องการใส่แหวนเก็บฝุ่น **17** ให้กดแหวนจากด้านบน เข้าในอุปกรณ์ดูดฝุ่น **14** จนได้ยินเสียงเข้าล็อก

#### แหวนเก็บฝุ่นสำหรับดอกกอนแกน (อุปกรณ์ประกอบ) (รูปภาพประกอบ L)

- สำหรับการเจาะด้วยดอกกอนแกน ต้องเปลี่ยนจากแหวน เก็บฝุ่นสำหรับดอกสว่าน **17** มาใช้แหวนเก็บฝุ่นสำหรับ ดอกกอนแกนแบบพิเศษ **30** (อุปกรณ์ประกอบ) เมื่อใช้แหวน เก็บฝุ่นสำหรับดอกกอนแกน ต้องใช้กล่องเชื่อมต่อ **25** (อุปกรณ์ประกอบ) เพื่อดูดฝุ่นออก อย่าใช้กล่องเก็บผง **9**
- หากจำเป็น ให้ถอดแหวนเก็บฝุ่นสำหรับดอกสว่าน **17** ออก
  - เมื่อต้องการใส่แหวนเก็บฝุ่นสำหรับดอกกอนแกน **30** ให้กดแหวนจากด้านบนเข้าในอุปกรณ์ดูดฝุ่นจนได้ยิน เสียงเข้าล็อก
  - เมื่อต้องการถอดแหวนเก็บฝุ่นสำหรับดอกกอนแกน **30** ให้กดขอสลักแหวนเก็บฝุ่น **31** ออกไปด้านบนและ ดึงแหวนเก็บฝุ่นออกทางด้านบน

## การปฏิบัติงาน

### เริ่มต้นปฏิบัติงาน

- ▶ ให้สังเกตแรงดันไฟฟ้า! แรงดันไฟฟ้าจากแหล่งจ่าย ไฟฟ้าต้องมีค่าตรงกับแรงดันไฟฟ้าที่ระบุไว้บน แผ่นป้ายพิกัดเครื่อง

**การตั้งวิธีการปฏิบัติงาน**

ท่านสามารถเลือกวิธีการปฏิบัติงานของเครื่องโดยการสลับสวิทช์สำหรับการเจาะ/การเจาะตอก 4

**หมายเหตุ:**

เปลี่ยนวิธีการปฏิบัติงานเฉพาะเมื่อเครื่องปิดสวิทช์อยู่เท่านั้น! มิฉะนั้นเครื่องจะชำรุดเสียหายได้

- เมื่อต้องการเปลี่ยนวิธีการปฏิบัติงาน ให้กดปุ่มปลดล็อค 5 และหมุนสวิทช์สำหรับการเจาะ/การเจาะตอก 4 ไปยังตำแหน่งที่ต้องการจนได้ยินเสียงเข้าล็อค



ตำแหน่งสำหรับ **การเจาะตอก** ในคอนกรีต หรือหิน รวมทั้งสำหรับการสกัด (สกัดด้วยอุปกรณ์ประกอบ MV 200 เท่านั้น)



ตำแหน่งสำหรับ **การเจาะ** โดยไม่กระแทก ในไม้ โลหะ เซรามิก และพลาสติก รวมทั้งการขันสกรู

**การกลับทิศทางการหมุน**

สวิทช์เปลี่ยนทิศทางการหมุน 6 ใช้สำหรับกลับทิศทางการหมุนของเครื่อง

- ▶ **สลับสวิทช์เปลี่ยนทิศทางการหมุน 6 เมื่อเครื่องหยุดนิ่งอยู่กับที่เท่านั้น**

🔍 **การหมุนทางขวา:** สลับสวิทช์เลือกการเจาะ/การเจาะตอก 6 ทั้งสองข้างจนสุดไปที่ตำแหน่ง ◀

🔍 **การหมุนทางซ้าย:** สลับสวิทช์เลือกการเจาะ/การเจาะตอก 6 ทั้งสองข้างจนสุดไปที่ตำแหน่ง ▶

ตั้งทิศทางการหมุนสำหรับการเจาะตอก การเจาะ และ การสกัด ไว้ที่การหมุนทางขวาเสมอ

**การเปิด-ปิดเครื่อง**

- **เปิดเครื่องทำงาน** โดยกดสวิทช์เปิด-ปิด 8
- **ล็อคสวิทช์เปิด-ปิด** โดยกดสวิทช์เปิด-ปิดค้างไว้และดันปุ่มล็อคสวิทช์เปิด-ปิด 7 เพิ่ม
- **ปิดเครื่อง** โดยปล่อยนิ้วจากสวิทช์เปิด-ปิด 8 หากสวิทช์เปิด-ปิด 8 ถูกล็อค ให้กดสวิทช์เปิด-ปิดก่อน แล้วจึงปล่อยนิ้ว

**การตั้งความเร็วรอบ/อัตรากระแทก**

ท่านสามารถปรับอัตราความเร็วรอบ/กระแทกของเครื่องมือไฟฟ้าที่เปิดสวิทช์ทำงานได้อย่างต่อเนื่อง ทั้งนี้ขึ้นอยู่กับแรงที่กดลงบนสวิทช์เปิด-ปิด 8

กดสวิทช์เปิด-ปิด 8 เยาวจะได้อัตราความเร็วรอบ/กระแทกค่า กดสวิทช์แรงขึ้นอัตราความเร็วรอบ/กระแทกจะเพิ่มขึ้น

**ผลลัพธ์ตัดการทำงานเกินกำลัง**

- ▶ **หากเครื่องมือที่ใส่อยู่เกิดขัดหรือติดแน่น แรงขับไปยังเพลาส่วนจะสะดุดหยุด เนื่องจากแรงบิดที่เกิดขึ้น ต้องถือเครื่องมือไฟฟ้าให้แน่นด้วยมือทั้งสองข้างและหาที่ยืนที่มั่นคงเสมอ**

- ▶ **หากเครื่องมือไฟฟ้าติดขัด ให้ปิดเครื่องและคลายเครื่องมือที่ใส่อยู่ให้เป็นอิสระ ในกรณีที่เปิดเครื่องทำงานโดยมีเครื่องมือเจาะติดขัดอยู่ อาจเกิดกำลังบิดสะท้อนอย่างรุนแรงขึ้นได้**

**ข้อแนะนำในการทำงาน**

- ▶ **ดึงปลั๊กไฟออกจากเต้าเสียบก่อนปรับแต่งเครื่อง**

**การสกัด**

สำหรับการสกัด ต้องใช้อุปกรณ์เสริมดอกสกัด SDS-plus รุ่น MV 200 (อุปกรณ์ประกอบ) ที่ใส่เข้าไปตามจับเครื่องมือ SDS-plus 1

สำหรับการสกัด ไม่ต้องประกอบอุปกรณ์ดูดฝุ่น 14 เข้า

**การใส่ดอกไขควง (ดูภาพประกอบ M)**

- ▶ **จับเครื่องมือไฟฟ้าเข้าบนหัวสกรู/นอตเมื่อเครื่องปิดอยู่เท่านั้น** เครื่องมือที่หมุนอยู่อาจลื่นไถล

เมื่อใช้ดอกไขควงทำงาน ต้องใช้ตามจับดอกทั่วไป 32 ที่มีก้าน SDS-plus (อุปกรณ์ประกอบ) ร่วมด้วย

สำหรับการขันสกรู ไม่ต้องประกอบอุปกรณ์ดูดฝุ่น 14 เข้า

- ทำความสะอาดปลายก้านปรับ และเคลือบจาระบีบางๆ
- จับตามจับดอกทั่วไปหมุนใส่ในตามจับเครื่องมือจนเข้าล็อคโดยอัตโนมัติ
- ดึงตามจับดอกทั่วไปเพื่อตรวจสอบการล็อค
- ใส่ดอกไขควงเข้าไปตามจับดอกทั่วไป ใช้เฉพาะดอกไขควงที่มีขนาดพอดีกับหัวสกรูเท่านั้น
- เมื่อต้องการถอดตามจับดอกทั่วไปออก ให้ดึงปลอกล็อค 3 ไปด้านหลัง และถอดตามจับดอกทั่วไป 32 ออกจากตามจับเครื่องมือ

**การบำรุงรักษาและการบริการ****การบำรุงรักษาและการทำความสะอาด**

- ▶ **ดึงปลั๊กไฟออกจากเต้าเสียบก่อนปรับแต่งเครื่อง**

- ▶ **เพื่อให้ทำงานได้อย่างถูกต้องและปลอดภัย ต้องรักษาเครื่องและช่องระบายอากาศให้สะอาดอยู่เสมอ**

- ▶ **ควรเปลี่ยนฝาครอบกันฝุ่นที่ชำรุดโดยทันที เราขอแนะนำว่า ควรส่งให้ศูนย์บริการหลังการขายเปลี่ยนให้**

- ทำความสะอาดตามจับเครื่องมือ 1 ทุกครั้งหลังเลิกใช้งาน

**การเปลี่ยนตัวกรอง (ดูภาพประกอบ N)**

เพื่อรักษาประสิทธิภาพการกรอง ต้องเปลี่ยนตัวกรอง 24 ของกล่องเก็บผง 9 หลังใช้งานไปแล้วประมาณ 15 ชั่วโมง

- เมื่อต้องการถอดกล่องเก็บผง 9 ให้กดปุ่มปลดล็อคทั้งสอง 11 และดึงกล่องเก็บผงลงด้านล่างออกจากอุปกรณ์ดูดฝุ่น 14

- ถอดตัวกรอง 24 ออกโดยยกขึ้นด้านบน และเปลี่ยนตัวกรองชิ้นใหม่

- ดันกล่องเก็บผงจากด้านล่างกลับเข้าไปในอุปกรณ์ดูดฝุ่น 14 อีกครั้งจนได้ยินเสียงเข้าล็อค

**หมายเหตุ:** หากตัวกรอง 24 ชำรุด (ต.ย. เช่น มีรู วัสดุกันรั่ว นิ่มๆ ชำรุด) ต้องเปลี่ยนชิ้นใหม่ทันที การทำงานด้วยตัวกรองชำรุด อาจทำให้เครื่องมือไฟฟ้าเสียหายได้

## 38 | Bahasa Indonesia

ต้องเปลี่ยนตัวกรอง **24** ด้วยเช่นกัน หากประสิทธิภาพการดูดไม่ดีพอ แม้ได้ถ่ายผงออกจากถังเก็บผง **9** ไปแล้วก็ตาม

เมื่อจำเป็นต้องเปลี่ยนสายไฟฟ้า ให้ส่งเครื่องให้บริษัท บ็อชหรือศูนย์บริการลูกค้าสำหรับเครื่องมือไฟฟ้า บ็อช ที่ได้รับมอบหมายทำการเปลี่ยนให้ เพื่อหลีกเลี่ยงอันตรายด้านความปลอดภัย

### การบริการหลังการขายและคำแนะนำการใช้งาน

ศูนย์บริการหลังการขายของเรายินดีตอบคำถามเกี่ยวกับการบำรุงรักษาและการซ่อมแซมผลิตภัณฑ์ของท่าน รวมทั้งชิ้นส่วนอะไหล่ ภาพแยกชิ้นประกอบและข้อมูลเกี่ยวกับชิ้นส่วนอะไหล่ยังสามารถดูได้ใน:

**www.bosch-pt.com**

ทีมงานให้คำแนะนำการใช้งานของ บ็อช ยินดีตอบคำถามเกี่ยวกับผลิตภัณฑ์ของเราและอุปกรณ์ประกอบของผลิตภัณฑ์ เมื่อต้องการสอบถามและสั่งซื้ออะไหล่ กรุณาแจ้งหมายเลขสินค้า **10** หลังบนแผ่นป้ายรุ่นของผลิตภัณฑ์ทุกครั้ง

### ไทย

บริษัท โรเบิร์ต บ็อช จำกัด  
ชั้น 11 ตึกลิเบอร์ตี สแควร์  
287 ถนนสีลม บางรัก  
กรุงเทพฯ 10500  
โทรศัพท์ 02 6393111  
โทรสาร 02 2384783  
บริษัท โรเบิร์ต บ็อช จำกัด ตู้ ปณ. 2054  
กรุงเทพฯ 10501 ประเทศไทย  
[www.bosch.co.th](http://www.bosch.co.th)

ศูนย์บริการซ่อมและฝึกอบรม บ็อช  
อาคาร ลาชาลทาวเวอร์ ชั้น G ห้องเลขที่ 2  
บ้านเลขที่ 10/11 หมู่ 16  
ถนนศรีนครินทร์  
ตำบลบางแก้ว อำเภอบางพลี  
จังหวัดสมุทรปราการ 10540  
ประเทศไทย  
โทรศัพท์ 02 7587555  
โทรสาร 02 7587525

### การกำจัดขยะ

เครื่องมือ อุปกรณ์ประกอบ และหีบห่อ ต้องนำไปแยกประเภทวัสดุเพื่อนำกลับมาใช้ใหม่โดยไม่ทำลายสภาพแวดล้อม



อย่าทิ้งเครื่องมือไฟฟ้าลงในขยะบ้าน!

ขอสงวนสิทธิ์ในการเปลี่ยนแปลงโดยไม่ต้องแจ้งล่วงหน้า

## Bahasa Indonesia

### Petunjuk-Petunjuk untuk Keselamatan Kerja

#### Petunjuk-Petunjuk Umum untuk Perkakas Listrik

**PERHATIKANLAH** Bacalah semua petunjuk-petunjuk untuk keselamatan kerja dan petunjuk-petunjuk untuk penggunaan.

Kesalahan dalam menjalankan petunjuk-petunjuk untuk keselamatan kerja dan petunjuk-petunjuk untuk penggunaan dapat mengakibatkan kontak listrik, kebakaran dan/atau luka-luka yang berat.

**Simpanlah semua petunjuk-petunjuk untuk keselamatan kerja dan petunjuk-petunjuk lainnya untuk penggunaan di masa depan.**

Kata „perkakas listrik“ yang disebutkan di dalam petunjuk-petunjuk untuk keselamatan kerja adalah sebutan untuk perkakas listrik pakai listrik jaringan (dengan kabel) dan untuk perkakas listrik tenaga baterai (tanpa kabel listrik).

#### Keselamatan kerja di tempat kerja

- ▶ **Jagalah supaya tempat kerja selalu bersih dan terang.** Tempat kerja yang tidak rapi atau tidak terang dapat mengakibatkan terjadinya kecelakaan.
- ▶ **Janganlah menggunakan perkakas listrik di tempat di mana dapat terjadi ledakan, di mana ada cairan, gas atau debu yang mudah terbakar.** Perkakas listrik dapat memancarkan bunga api yang lalu mengakibatkan debu atau uap terbakar.
- ▶ **Selama menggunakan perkakas listrik, jauhan anak-anak dan orang-orang lain dari tempat kerja.** Jika konsentrasi terganggu, bisa jadi Anda tidak bisa mengendalikan perkakas listrik tersebut.

#### Keamanan listrik

- ▶ **Steker dari perkakas listrik harus cocok pada stopkontak. Janganlah sekali-kali merubah steker. Janganlah menggunakan steker perantara bersama dengan perkakas listrik yang mempunyai hubungan arde.** Steker yang tidak dirubah dan stopkontak yang cocok mengurangi bahaya terjadinya kontak listrik.
- ▶ **Jagalah supaya badan Anda tidak bersentuhan dengan permukaan yang mempunyai hubungan arde, misalnya pipa-pipa, radiator pemanas ruangan, kompor listrik dan lemari es.** Ada risiko besar terjadi kontak listrik, jika badan Anda mempunyai hubungan arde.
- ▶ **Jagalah supaya perkakas listrik tidak kena hujan atau menjadi basah.** Air yang masuk ke dalam perkakas listrik menambah risiko terjadinya kontak listrik.
- ▶ **Janganlah menyalahgunakan kabel listrik untuk mengangkat dan menggantungkan perkakas listrik atau untuk menarik steker dari stopkontak. Jagalah supaya kabel listrik tidak kena panas, minyak, pinggirannya yang tajam atau bagian-bagian perkakas**

yang bergerak. Kabel listrik yang rusak atau tersangkut menambah risiko terjadinya kontak listrik.

- ▶ **Jika Anda menggunakan perkakas listrik di luar gedung, gunakanlah hanya kabel sambungan yang juga cocok untuk pemakaian di luar gedung.** Penggunaan kabel sambungan yang cocok untuk pemakaian di luar gedung mengurangi risiko terjadinya kontak listrik.
- ▶ **Jika penggunaan perkakas listrik di tempat yang basah tidak bisa dihindarkan, gunakanlah sakelar pengaman terhadap arus penyimpangan.** Penggunaan sakelar pengaman terhadap arus penyimpangan mengurangi risiko terjadinya kontak listrik.

#### Keselamatan kerja

- ▶ **Berhati-hatilah selalu, perhatikanlah apa yang Anda kerjakan dan bekerjalah dengan seksama jika menggunakan perkakas listrik. Janganlah menggunakan perkakas listrik, jika Anda capai atau berada di bawah pengaruh narkoba, minuman keras atau obat.** Jika Anda sekejap mata saja tidak berhati-hati sewaktu menggunakan perkakas listrik, dapat terjadi luka-luka berat.
- ▶ **Pakailah pakaian dan sarana pelindung dan pakailah selalu kaca mata pelindung.** Dengan memakai pakaian dan sarana pelindung, misalnya kedok anti debu (masker), sepatu tertutup yang tidak licin, helm pelindung atau pemalut telinga sesuai dengan pekerjaan yang dilakukan dengan perkakas listrik, bahaya terjadinya luka-luka dapat dikurangi.
- ▶ **Jagalah supaya perkakas listrik tidak dihidupkan secara tidak disengaja. Perhatikan bahwa perkakas listrik dalam penyetelan mati, jika steker disambungkan pada pengadaan listrik dan/atau baterai, jika perkakas listrik diangkat atau dibawa.** Jika selama mengangkat perkakas listrik jari Anda berada pada tombol untuk menghidupkan dan mematikan atau perkakas listrik yang dalam penyetelan hidup disambungkan pada listrik, dapat terjadi kecelakaan.
- ▶ **Lepaskan semua perkakas-perkakas penyetelan atau kunci-kunci pas sebelum perkakas listrik dihidupkan.** Perkakas atau kunci yang berada di dalam bagian yang berputar dapat mengakibatkan terjadinya luka-luka.
- ▶ **Aturkan badan sedemikian sehingga Anda bisa bekerja dengan aman. Berdirilah secara mantap dan jagalah selalu keseimbangan.** Dengan demikian Anda bisa mengendalikan perkakas listrik dengan lebih baik, jika terjadi sesuatu dengan tiba-tiba.
- ▶ **Pakailah pakaian yang cocok. Janganlah memakai pakaian yang longgar atau perhiasan. Jagalah supaya rambut, pakaian dan sarung tangan tidak masuk dalam bagian-bagian perkakas yang bergerak.** Pakaian yang longgar, rambut panjang atau perhiasan dapat tersangkut dalam bagian perkakas yang bergerak.
- ▶ **Jika ada kemungkinan untuk memasang sarana penghisapan dan penampungan debu, perhatikan bahwa sarana-sarana ini telah dipasang dan digunakan dengan betul.** Penggunaan sarana penghisapan bisa mengurangi bahaya yang disebabkan debu.

#### Penggunaan dan penanganan perkakas listrik dengan seksama

- ▶ **Janganlah membebankan perkakas listrik terlalu berat. Gunakan selalu perkakas listrik yang cocok untuk pekerjaan yang dilakukan.** Dengan perkakas listrik yang cocok Anda bekerja lebih baik dan lebih aman dalam batas-batas kemampuan yang ditentukan.
- ▶ **Janganlah menggunakan perkakas listrik yang tombolnya rusak.** Perkakas listrik yang tidak bisa dihidupkan atau dimatikan, berbahaya dan harus direparasikan.
- ▶ **Tariklah steker dari stopkontak dan/atau keluarkan baterai, sebelum Anda melakukan penyetelan pada perkakas listrik, mengganti alat-alat kerja atau sebelum menyimpan perkakas listrik.** Tindakan keselamatan kerja ini mengurangi bahaya perkakas listrik hidup secara tidak disengaja.
- ▶ **Simpanlah perkakas listrik yang tidak digunakan di luar jangkauan anak-anak. Janganlah mengizinkan orang-orang yang tidak mengenal perkakas listrik ini atau yang belum membaca petunjuk-petunjuk ini, menggunakan perkakas listrik ini.** Perkakas listrik bisa menjadi berbahaya, jika digunakan oleh orang-orang yang tidak mengenalnya.
- ▶ **Rawatlah perkakas listrik dengan seksama. Periksalah, apakah bagian-bagian perkakas listrik yang bergerak berfungsi dengan baik dan tidak tersangkut, apakah ada bagian-bagian yang patah atau rusak sedemikian, sehingga dapat mempengaruhi jalannya perkakas listrik. Biarkan bagian-bagian perkakas yang rusak direparasikan, sebelum Anda mulai menggunakan perkakas listrik.** Banyak kecelakaan terjadi karena perkakas listrik tidak dirawat dengan seksama.
- ▶ **Perhatikan supaya alat-alat pemotong selalu tajam dan bersih.** Alat-alat pemotong dengan mata-mata pemotong yang tajam dan dirawat dengan seksama tidak mudah tersangkut dan lebih mudah dikendalikan.
- ▶ **Gunakanlah semua perkakas listrik, aksesori, alat-alat kerja dsb. sesuai dengan petunjuk-petunjuk. Perhatikan syarat-syarat kerja dan macam pekerjaan yang dilakukan.** Penggunaan perkakas listrik untuk macam pekerjaan yang tidak cocok dengan kegunaannya bisa mengakibatkan keadaan yang berbahaya.

#### Servis

- ▶ **Biarkan perkakas listrik Anda direparasikan hanya oleh orang-orang ahli yang berpengalaman dan hanya dengan menggunakan suku cadang yang asli.** Dengan demikian terjamin keselamatan kerja dengan perkakas listrik ini secara berkesinambungan.

#### Petunjuk-petunjuk untuk keselamatan kerja dengan palu

- ▶ **Pakailah pemalut telinga.** Jika Anda mendengar suara bising untuk waktu yang lama, daya pendengaran bisa berkurang.

## 40 | Bahasa Indonesia

- ▶ **Gunakanlah gagang tambahan-gagang tambahan, jika ini dipasok bersama dengan perkakas listrik.** Perkakas listrik yang tidak bisa dikendalikan bisa mengakibatkan terjadinya luka-luka.
- ▶ **Peganglah perkakas listrik hanya pada pegangan yang terisolir jika Anda melakukan pekerjaan yang memungkinkan alat pemotong ini menjalin kontak dengan kabel listrik yang tidak terlihat atau kabelnya sendiri.** Alat kerja yang bersentuhan dengan kabel yang bertegangan dapat mengakibatkan bagian-bagian logam dari perkakas listrik juga ikut dialiri tegangan arus dan mengakibatkan terjadinya kontak listrik.
- ▶ **Gunakanlah alat detektor logam yang cocok untuk mencari kabel dan pipa yang tidak terlihat atau hubungi perusahaan pengadaan setempat.** Sentuhan dengan kabel-kabel listrik dapat mengakibatkan api dan kontak listrik. Pipa gas yang dirusak dapat mengakibatkan ledakan. Pipa air yang dirusak mengakibatkan kerusakan barang-barang atau dapat mengakibatkan kontak listrik.
- ▶ **Selama digunakan, peganglah perkakas listrik dengan kedua belah tangan dan perhatikanlah supaya Anda berdiri secara teguh.** Perkakas listrik bisa dikendalikan lebih baik jika dipegang dengan kedua belah tangan.
- ▶ **Usahakan supaya benda yang dikerjakan tidak goyang.** Benda yang ditahan dalam alat pemegang atau bais lebih mantap daripada benda yang dipegang dengan tangan.
- ▶ **Sebelum meletakkan perkakas listrik, tunggulah sampai perkakas berhenti memutar.** Alat kerja bisa tersangkut dan membuat perkakas listrik tidak bisa dikendalikan.

## Penjelasan tentang produk dan daya



**Bacalah semua petunjuk-petunjuk untuk keselamatan kerja dan petunjuk-petunjuk untuk penggunaan.** Kesalahan dalam menjalankan petunjuk-petunjuk untuk keselamatan kerja dan petunjuk-petunjuk untuk penggunaan dapat mengakibatkan kontak listrik, kebakaran dan/atau luka-luka yang berat.

### Penggunaan alat

Perkakas listrik ini cocok untuk membor dengan hamering di beton, batu bata dan batu-batuan. Perkakas listrik ini juga cocok untuk membor tanpa getaran di kayu, logam, keramik dan bahan sintetis. Perkakas listrik dengan pengendalian secara elektronika dan arah putaran ke kanan/kiri juga cocok untuk menyekrup.

## Bagian-bagian pada gambar

Nomor-nomor dari bagian-bagian perkakas pada gambar sesuai dengan gambar perkakas listrik pada halaman bergambar.

- 1 Pemegang alat kerja SDS-plus
- 2 Kap pelindung debu
- 3 Selubung pengunci
- 4 Omsakelar „membor/membor pakai hamering“
- 5 Tombol pelepas penguncian omsakelar membor/membor pakai hamering
- 6 Omsakelar arah putaran
- 7 Tombol pengunci untuk tombol untuk menghidupkan dan mematikan
- 8 Tombol untuk menghidupkan dan mematikan
- 9 Kotak debu lengkap
- 10 Tombol pembuka penguncian penghisap debu
- 11 Tombol pembuka penguncian kotak debu
- 12 Gagang tambahan (genggaman terisolir)
- 13 Tombol untuk penyetelan penahan teleskop
- 14 Penghisap debu
- 15 Penahan teleskop
- 16 Tombol untuk mengganti penyetelan pembatas kedalaman lubang
- 17 Ring pengumpul debu untuk mata bor
- 18 Pegangan (genggaman terisolir)
- 19 Sekrup pengaman untuk cekaman mata bor pakai kunci bergigi\*
- 20 Cekaman mata bor pakai kunci bergigi\*
- 21 Batang pegangan SDS-plus untuk cekaman mata bor\*
- 22 Alur penahan penghisap debu
- 23 Tutup dari kotak debu
- 24 Elemen saringan
- 25 Kotak adapter untuk penghisapan debu ekstern\*
- 26 Stud sambungan untuk penghisapan\*
- 27 Slang penghisapan\*
- 28 Pembatas kedalaman
- 29 Knop pembuka penguncian ring pengumpul debu
- 30 Ring pengumpul debu untuk mata bor pipa\*
- 31 Hidung penahan ring pengumpul debu\*
- 32 Pemegang mata obeng bit dengan batang pegangan SDS-plus\*

\*Aksesori yang ada pada gambar atau yang dijelaskan, tidak termasuk pasokan standar. Semua aksesori yang ada bisa Anda lihat dalam program aksesori Bosch.



**Data teknis**

Mesin bor pakai hamering	GBH 2-23 REA	
Nomor model		3 611 B50 5..
Pengendalian kecepatan putaran		●
Putaran ke kanan/kiri		●
Penghisapan debu		●
Masukan nominal	W	710
Banyaknya getaran	min <sup>-1</sup>	0 – 4400
Daya tiap-tiap getar sesuai dengan EPTA-Procedure 05/2009	J	2,5
Kecepatan putaran	min <sup>-1</sup>	0 – 1000
Pemegang alat kerja		SDS-plus
Diameter leher sumbu	mm	43 (norma Euro)
Diameter pemboran tanpa penghisapan debu maks.:		
– Beton	mm	23
– Tembok (dengan mata bor pipa)	mm	68
– Baja	mm	13
– Kayu	mm	30
Diameter pemboran dengan penghisapan debu maks.:		
– Beton	mm	16
– Tembok (dengan mata bor pipa)	mm	68
Daya penghisapan	l/min	450
Kapasitas kotak debu (pada pemboran horisontal)		
– lubang 6 x 30 mm	buah	100
– lubang 8 x 30 mm	buah	60
– lubang 12 x 50 mm	buah	16
Berat sesuai dengan EPTA-Procedure 01:2014	kg	3,6
Berat tanpa penghisapan debu	kg	2,9
Klasifikasi keamanan		□/II
Data-data berlaku untuk tegangan nominal [U] 230 V. Pada tegangan yang lebih rendah dan pada model khusus mancanegara data-data ini bisa berlainan.		

**Cara memasang**

- ▶ **Sebelum mulai dengan pekerjaan pada perkakas listrik, tariklah steker dari stopkontak.**

**Gagang tambahan**

- ▶ **Gunakanlah perkakas listrik hanya dengan gagang tambahan 12.**

**Memutar gagang tambahan (lihat gambar A)**

Anda bisa memutar gagang tambahan **12** ke kedudukan yang cocok dengan macam pekerjaan, supaya posisi kerja mantap dan tidak begitu melelahkan.

- Putarkan pegangan bagian bawah dari gagang tambahan **12** dalam arah yang berlawanan dengan jalannya jarum jam dan putarkan gagang tambahan **12** ke kedudukan yang dikehendaki. Setelah itu pegangan bagian bawah dari gagang tambahan **12** dikencangkan dengan cara memutarkannya dalam arah jalannya jarum jam.

**Memilih cekaman mata bor dan alat kerja**

Untuk membor pakai hamering dan memahat (memahat hanya dengan aksesoris MV 200) harus digunakan alat kerja-

alat kerja SDS-plus, yang dipasangkan pada cekaman mata bor SDS-plus.

Untuk membor tanpa getaran di kayu, logam, keramik dan bahan sintetik serta untuk menyekrup diperlukan alat kerja-alat kerja tanpa SDS-plus (misalnya mata bor dengan gagang berbentuk silinder). Untuk alat kerja-alat kerja ini diperlukan cekaman mata bor yang dikunci dan dibuka dengan tangan atau cekaman mata bor pakai kunci bergigi.

**Mengganti cekaman mata bor pakai kunci bergigi**

Untuk bekerja dengan alat kerja-alat kerja tanpa SDS-plus (misalnya mata bor dengan gagang berbentuk silinder) harus dipasangkan cekaman mata bor yang cocok (cekaman mata bor pakai kunci bergigi atau cekaman mata bor yang dikunci dan dibuka dengan tangan, aksesoris).

**Memasang cekaman mata bor pakai kunci bergigi (lihat gambar B)**

- Ulirkan batang pegangan SDS-plus untuk cekaman mata bor **21** dalam cekaman mata bor pakai kunci bergigi **20**. Kencangkan cekaman mata bor pakai kunci bergigi **20** dengan sekrup pengaman **19**. **Perhatikanlah bahwa sekrup pengaman mempunyai ulir kiri.**

## 42 | Bahasa Indonesia

**Memasukkan cekaman mata bor pakai kunci bergigi (lihat gambar C)**

- Bersihkan ujung pegang dari batang pegangan cekaman mata bor dan lumasnya sedikit.
- Pasangkan cekaman mata bor pakai kunci bergigi dengan batang ke dalam pemegang alat kerja dengan cara memutarnya sampai mengancing sendiri.
- Periksalah apakah sudah terkunci dengan cara menarik cekaman mata bor pakai kunci bergigi.

**Melepaskan cekaman mata bor pakai kunci bergigi**

- Geserkan selubung pengunci **3** ke belakang dan lepaskan cekaman mata bor pakai kunci bergigi **20**.

**Mengganti alat kerja**

Kap pelindung debu **2** menghindarkan debu masuk ke dalam pemegang alat kerja selama mesin digunakan. Selama memasang alat kerja, perhatikanlah supaya kap pelindung debu **2** tidak menjadi rusak.

- ▶ **Kap pelindung debu yang rusak harus segera diganti. Kami anjurkan supaya pekerjaan ini dilakukan oleh suatu Service Center Bosch.**

**Memasang alat kerja SDS-plus (lihat gambar D)**

Dengan cekaman mata bor SDS-plus Anda bisa memasangkan alat kerja dengan mudah dan cepat dan tidak diperlukan perkakas lainnya untuk membantu.

- Bersihkan ujung pegang dari alat kerja dan lumasnya sedikit.
- Masukkan alat kerja ke dalam pemegang alat kerja sambil memutarkannya sampai mengancing sendiri.
- Periksalah apakah alat kerja sudah terkunci dengan cara menariknya.

Alat kerja SDS-plus harus bisa bergerak dengan bebas. Hal ini menimbulkan penyimpangan putaran sewaktu perkakas listrik berjalan tanpa beban. Ini tidak mempengaruhi ketepatan lubang bor, karena mata bor memusat sendiri sewaktu membor.

**Melepaskan alat kerja SDS-plus (lihat gambar E)**

- Dorongkan selubung pengunci **3** ke belakang dan lepaskan alat kerja.

**Memasang alat kerja-alat kerja tanpa SDS-plus**

**Petunjuk:** Janganlah menggunakan alat kerja-alat kerja tanpa SDS-plus untuk membor pakai hamering atau untuk memahat! Alat kerja-alat kerja tanpa SDS-plus dan cekaman mata borny menjadi rusak jika digunakan untuk membor pakai hamering dan memahat.

- Pasangkan cekaman mata bor pakai kunci bergigi **20** (lihat „Mengganti cekaman mata bor pakai kunci bergigi“, halaman 41).
- Bukakan cekaman mata bor pakai kunci bergigi **20** dengan cara memutarkannya, sampai alat kerja bisa dipasangkan. Pasangkan alat kerja.
- Masukkan kunci cekaman mata bor ke dalam lubang-lubang yang khusus untuknya di cekaman mata bor pakai kunci bergigi **20** dan kencangkan alat kerja secara rata.
- Setelkan omsakelar **4** pada simbol „membor“.

**Melepaskan alat kerja-alat kerja tanpa SDS-plus**

- Putarkan selubung dari cekaman mata bor pakai kunci bergigi **20** dengan menggunakan kunci cekaman mata bor dalam arah yang berlawanan dengan jalannya jarum jam hingga alat kerja bisa dikeluarkan.

**Penghisapan debu**

- ▶ Debu dari bahan-bahan seperti misalnya cat yang mengandung timbel (timah hitam), beberapa jenis kayu, bahan mineral dan logam bisa berbahaya bagi kesehatan. Menyentuh atau menghirup debu-debu ini bisa mengakibatkan reaksi alergi dan/atau penyakit saluran pernafasan dari orang yang menggunakan mesin atau orang yang berada di dekatnya. Beberapa debu tertentu seperti misalnya debu kayu pohon quercus atau pohon fagus silvatica dianggap bisa mengakibatkan penyakit kanker, terutama dalam campuran dengan bahan-bahan tambahan untuk pengolahan kayu (kromat, obat pengawet kayu). Bahan-bahan yang mengandung asbes hanya boleh dikerjakan oleh orang-orang yang ahli.

- Gunakanlah hanya penghisap debu yang cocok untuk menghisap bahan yang dikerjakan.
- Perhatikanlah supaya ada pertukaran udara di tempat kerja.
- Kami anjurkan supaya Anda memakai kedok anti debu dengan saringan (filter) kelas P2.

Taatilah peraturan-peraturan untuk bahan-bahan yang dikerjakan yang berlaku di negara Anda.

- ▶ **Hindarkan debu yang banyak terkumpul di tempat kerja.** Debu dapat menyulut dengan mudahnya.

- ▶ **Hati-hati, bisa terjadi kebakaran! Janganlah mengerjakan bahan-bahan kayu dan logam jika penghisapan debu dipasangkan.** Serbuk bahan yang panas bisa menyulut sendiri atau menyulut bagian-bagian dari penghisapan debu.

**Petunjuk:** Janganlah menggunakan penghisapan debu **14** pada waktu memahat atau menyekrup.

Penghisap debu **14** pada waktu penggunaan perkakas listrik berbalik dengan sendirinya, sehingga ring pengumpul debu selalu berada di dekat permukaan benda yang dikerjakan. Penghisap debu dihidupkan dan dimatikan secara otomatis bersama dengan perkakas listrik.

Untuk mencapai daya penghisapan yang optimal, perhatikanlah petunjuk-petunjuk berikut:

- Alat kerja yang digunakan tidak boleh melampaui ring pengumpul debu **17** atau **30** (misalnya mata bor SDS-plus: panjang seluruhnya maks. kira-kira 160 mm, panjang untuk pemboran kira-kira 100 mm).
- Perhatikanlah supaya ring pengumpul debu mengena rata pada benda yang dikerjakan atau pada dinding. Dengan demikian terjamin pula bahwa pemboran adalah tegak lurus.
- Setelah kedalaman lubang bor yang dikehendaki tercapai, tariklah dahulu mata bor dari lubang pemboran, setelah itu perkakas listrik dimatikan.
- Periksalah secara berkala keberadaan elemen saringan **24**. Jika elemen saringan rusak, gantikanlah segera.

**Melepaskan/memasang penghisap debu (lihat gambar F)**

- Untuk melepaskan penghisap debu, tekan tombol pembuka penguncian penghisap debu **10** dan tariklah penghisap debu ke depan sampai lepas. Bisa jadi untuk melakukannya Anda harus memutar tangan gagang tambahan **12** ke samping.
- Untuk memasang penghisap debu **14**, dorongkan alur penahan penghisap debu **22** ke dalam pegangan pada perkakas listrik sampai jelas terdengar mengancing.

**Penghisapan dalam (sendiri) dengan kotak debu (lihat gambar G)**

Keberisian dari kotak debu **9** bisa diperiksa dengan mudahnya karena tutup dari kotak debu **23** yang transparan. Kosongkan kotak debu sebelum penuh sama sekali, karena jika kotak debu penuh daya penghisapan berkurang.

- Untuk melepaskan kotak debu **9**, tekan kedua tombol pembuka penguncian kotak debu **11** dan tariklah kotak debu ke bawah keluar dari penghisap debu **14**.
- Sebelum membuka kotak debu **9**, sebaiknya Anda mengetok-ketokkan kotak debu secara ringan pada alas yang keras, untuk mengeluarkan debu dari elemen saringan **24**.
- Tekan tutup dari kotak debu **23** di sebelah bawah sampai terbuka dan kosongkan kotak debu.
- Tutupkan tutup dari kotak debu **23** dan dorongkan kotak debu dari bawah ke dalam penghisap debu **14**, sampai jelas terdengar mengancing.
- Periksa elemen saringan **24** apakah ada kerusakan. Gantikan segera elemen saringan yang rusak.

**Penghisapan luar dengan bantuan sarana (lihat gambar H)**

Untuk penghisapan debu dengan mesin penghisap debu diperlukan satu kotak adapter untuk penghisapan luar (ekstern) **25** (aksesori), yang dipasangkan sebagai ganti dari kotak debu **9** ke dalam penghisap debu **14**.

- Untuk melepaskan kotak debu **9**, tekan kedua tombol pembuka penguncian kotak debu **11** dan tariklah kotak debu ke bawah keluar dari penghisap debu **14**.
- Dorongkan kotak adapter **25** dari bawah ke dalam penghisap debu, sampai jelas terdengar mengancing.
- Pasangkan satu slang penghisapan **27** (aksesori) pada stud sambungan untuk penghisapan **26**. Sambungkan slang penghisapan **27** pada satu mesin penghisap debu (aksesori). Satu ikhtisar dari sambungan pada berbagai mesin penghisap debu ada di bagian akhir dari petunjuk-petunjuk ini.

Mesin penghisap debu harus cocok untuk menghisap bahan yang dikerjakan.

Gunakanlah mesin penghisap khusus jika debu yang terjadi sangat berbahaya bagi kesehatan, bisa mengakibatkan penyakit kanker atau sangat kering.

**Menyetel kedalaman pemboran (lihat gambar I)**

Dengan pembatas kedalaman lubang **28** kedalaman pemboran **X** bisa disetelkan.

- Dorongkan alat kerja SDS-plus ke dalam pemegang alat kerja SDS-plus **1** sampai batas. Alat kerja SDS-plus yang bergoyang bisa menyebabkan penyetelan kedalaman lubang yang tidak betul.
- Pasangkan perkakas listrik, tanpa menghidupkannya, secara mantap pada permukaan yang akan dibor. Alat kerja SDS-plus harus mengena pada permukaan yang akan dibor.
- Tekan tombol untuk mengganti penyetelan pembatas kedalaman lubang **16** dan gerakkan pembatas kedalaman **28** sedemikian, sehingga jarak **X** yang terlihat pada gambar adalah kedalaman pemboran yang diperlukan.

**Menyesuaikan penghisap debu pada panjangnya alat kerja (lihat gambar J)**

Untuk pekerjaan yang tidak melelahkan dengan alat kerja-alat kerja yang pendek, panjangnya penghisap debu **14** bisa disesuaikan.

- Tekan tombol **13** dan dorongkan penahan teleskop **15** sembari tombol ditekan, ke dalam penghisap debu **14**, sampai ring pengumpul debu berada di dekat pucuk dari alat kerja.
- Untuk mengeluarkan kembali penahan teleskop, tekan tombol **13** sekali lagi.

**Ring pengumpul debu untuk mata bor (lihat gambar K)**

- Untuk mengganti ring pengumpul debu **17**, tekan knop pembuka penguncian ring pengumpul debu **29** dan tariklah ring pengumpul debu ke luar dari penghisap debu.
- Untuk memasangkan, tekan ring pengumpul debu **17** dari atas ke dalam penghisap debu **14**, sampai jelas terdengar mengancing.

**Ring pengumpul debu untuk mata bor pipa (aksesori) (lihat gambar L)**

Untuk membor dengan mata bor pipa, ring pengumpul debu untuk mata bor **17** harus digantikan dengan ring pengumpul debu khusus untuk mata bor pipa **30** (aksesori). Jika digunakan ring pengumpul debu untuk mata bor pipa, untuk penghisapan debu harus digunakan kotak adapter **25** (aksesori) untuk penghisapan debu dari luar (ekstern), dan bukan kotak debu **9**.

- Jika perlu, lepaskan ring pengumpul debu untuk mata bor **17**.
- Untuk memasang ring pengumpul debu untuk mata bor pipa **30**, tekannya dari atas ke dalam penghisap debu, sampai jelas terdengar mengancing.
- Untuk melepaskan ring pengumpul debu untuk mata bor pipa **30**, tekan hidung penahan **31** ke luar dan tarik ring pengumpul debu ke atas sampai lepas.

**Penggunaan****Cara penggunaan**

- **Perhatikan tegangan jaringan listrik! Tegangan jaringan listrik harus sesuai dengan tegangan listrik yang tercantum pada label tipe perkakas listrik.**

## 44 | Bahasa Indonesia

**Menyetel macam pekerjaan**

Dengan omsakelar „membor/membor pakai hamering“ **4** Anda bisa memilih fungsi dari perkakas listrik.

**Petunjuk:** Tukarkan cara berfungsi dari perkakas listrik hanya jika perkakas listrik dalam penyetelan mati! Jika tidak, perkakas listrik bisa menjadi rusak.

- Untuk menukar cara berfungsi, tekan tombol pembuka penguncian **5** dan putarkan omsakelar „membor/membor pakai hamering“ **4** ke posisi yang diperlukan, sampai jelas terdengar mengancing.



Posisi untuk **membor pakai hamering** di beton atau batu serta untuk memahat (memahat hanya dengan aksesoris MV 200)



Posisi untuk **membor** tanpa getaran di kayu, logam, keramik dan bahan sintetik serta untuk menyekrup.

**Menyetel arah putaran**

Dengan omsakelar arah putaran **6** Anda bisa merubah arah putaran dari perkakas listrik.

- ▶ **Omsakelar arah putaran 6 hanya boleh digerakkan selama perkakas listrik tidak berjalan.**

- 🌀 **Putaran ke kanan:** Putarkan omsakelar arah putaran **6** pada kedua sisi sampai batas ke posisi .
- 🌀 **Putaran ke kiri:** Putarkan omsakelar arah putaran **6** pada kedua sisi sampai batas ke posisi .

Setelkan selalu arah putaran ke kanan pada waktu membor pakai hamering, membor dan memahat.

**Menghidupkan/mematikan**

- Untuk **menghidupkan** perkakas listrik, tekan tombol untuk menghidupkan dan mematikan **8**.
- Untuk **mengunci** tombol untuk menghidupkan dan mematikan, tahan tekanan pada tombol ini dan tekan tombol pengunci **7**.
- Untuk **mematikan** perkakas listrik, lepaskan tombol **8**. Jika tombol **8** terkunci, tekan tombol ini dahulu, lalu tombol ini dilepaskan.

**Menyetel kecepatan putaran/banyaknya getaran**

Anda bisa mengatur kecepatan putaran/ banyaknya getaran pada perkakas listrik yang sedang berjalan tanpa tingkatan, dengan cara menambah atau mengurangi tekanan pada tombol untuk menghidupkan dan mematikan **8**.

Tekanan yang ringan pada tombol untuk menghidupkan dan mematikan **8** mengakibatkan kecepatan putaran yang rendah/banyaknya getaran yang sedikit. Jika tekanan ditambah, kecepatan putaran/banyaknya getaran bertambah pula.

**Kopling pengaman**

- ▶ **Jika alat kerja terjepit atau tersangkut, maka daya penggerak ke sumbu utama terhenti. Peganglah perkakas listrik selalu dengan kedua belah tangan dan**

**berdirilah secara mantap, berhubung dalam hal demikian terjadi momen yang besar.**

- ▶ **Matikan perkakas listrik dan lepaskan alat kerja, jika perkakas listrik memblok. Jika perkakas listrik dengan mata bor yang memblok dihidupkan, terjadi momen reaksi yang tinggi.**

**Petunjuk-petunjuk untuk pemakaian**

- ▶ **Sebelum mulai dengan pekerjaan pada perkakas listrik, tarikhlah steker dari stopkontak.**

**Memahat**

Untuk memahat diperlukan adapter untuk pahat SDS-plus MV 200 (aksesori), yang dipasangkan pada pemegang alat kerja SDS-plus **1**.

Penghisap debu **14** tidak boleh dipasangkan selama pekerjaan memahat.

**Memasang mata obeng bit (lihat gambar M)**

- ▶ **Pasangkan perkakas listrik pada mur/sekrup hanya jika perkakas listrik dalam keadaan mati.** Alat kerja-alat kerja yang berputar bisa meleset.

Untuk penggunaan mata obeng bit diperlukan pemegang mata obeng bit **32** dengan batang pegangan SDS-plus (aksesori).

Penghisap debu **14** tidak boleh dipasangkan selama pekerjaan menyekrup.

- Bersihkan ujung pegang dari batang pegangan cekaman mata bor dan lumasnya sedikit.
- Pasangkan pemegang mata obeng bit dalam pemegang alat kerja sambil memutarannya, sampai mengancing sendiri.
- Periksa apakah sudah mengancing dengan cara menarik pemegang mata obeng bit.
- Pasangkan satu mata obeng bit dalam pemegang mata obeng bit. Gunakanlah hanya mata obeng bit yang cocok pada kepala sekrup.
- Untuk melepaskan pemegang mata obeng bit, geserkan selubung pengunci **3** ke belakang dan keluarkan pemegang mata obeng bit **32** dari pemegang alat kerja.

**Rawatan dan servis****Rawatan dan kebersihan**

- ▶ **Sebelum mulai dengan pekerjaan pada perkakas listrik, tarikhlah steker dari stopkontak.**
- ▶ **Perkakas listrik dan lubang ventilasi harus selalu dibersihkan supaya perkakas bisa digunakan dengan baik dan aman.**
- ▶ **Kap pelindung debu yang rusak harus segera diganti. Kami anjurkan supaya pekerjaan ini dilakukan oleh suatu Service Center Bosch.**
- Bersihkan pemegang alat kerja **1** setiap kali setelah digunakan.

**Mengganti elemen saringan (lihat gambar N)**

Supaya daya saringan tidak berkurang, elemen saringan **24** dari kotak debu **9** harus digantikan setelah digunakan selama kira-kira 15 jam.

- Untuk melepaskan kotak debu **9**, tekan kedua tombol pembuka penguncian kotak debu **11** dan tariklah kotak debu ke bawah keluar dari penghisap debu **14**.
- Keluarkan elemen saringan **24** dengan cara menariknya ke atas dan masukkan satu elemen saringan yang baru.
- Dorongan kembali kotak debu dari bawah ke dalam penghisap debu **14**, sampai jelas terdengar mengancing.

**Petunjuk:** Gantikan segera elemen saringan **24**, jika elemen saringan rusak (misalnya berlubang atau bahan paking yang lembek rusak). Jika perkakas listrik digunakan dengan elemen saringan yang rusak, perkakas listrik bisa menjadi rusak pula.

Gantikan elemen saringan **24** pula, jika daya penghisapan berkurang meskipun kotak debu **9** kosong.

Jika kabel listrik harus digantikan, pekerjaan ini harus dilakukan oleh Bosch atau Service Center untuk perkakas listrik Bosch yang resmi, supaya keselamatan kerja selalu terjamin.

**Layanan pasca beli dan konseling terkait pengoperasian**

Layanan pasca beli Bosch menjawab semua pertanyaan Anda terkait reparasi dan maintenance serta suku cadang produk ini. Gambar tiga dimensi dan informasi terkait suku cadang dapat Anda lihat di:

**www.bosch-pt.com**

Tim konseling pengoperasian dari Bosch dengan senang hati membantu Anda, jika Anda hendak bertanya tentang produk-produk kami dan aksesorisnya.

Jika Anda hendak menanyakan sesuatu atau memesan suku cadang, sebutkan selalu nomor model yang terdiri dari 10 angka dan tercantum pada label tipe produk.

**Indonesia**

PT Robert Bosch  
Palma Tower 10<sup>th</sup> Floor  
Jl. RA Kartini II-S Kaveling 6 Sek II  
Pondok Pinang, Kebayoran Lama  
Jakarta Selatan 12310  
Tel.: (021) 3005 5800  
Fax: (021) 3005 5801  
E-Mail: boschpowertools@id.bosch.com  
www.bosch-pt.co.id

**Cara membuang**

Perkakas listrik, aksesoris dan kemasan sebaiknya didaur ulang sesuai dengan upaya untuk melindungi lingkungan hidup.



Janganlah membuang perkakas listrik dalam sampah rumah tangga!

**Perubahan dapat terjadi tanpa pemberitahuan sebelumnya.**

**Tiếng Việt****Các Nguyên Tắc An Toàn****Cảnh báo tổng quát cách sử dụng an toàn dụng cụ điện cầm tay**

**⚠ CẢNH BÁO** Đọc kỹ mọi cảnh báo an toàn và hướng dẫn. Không tuân thủ mọi

cảnh báo và hướng dẫn được liệt kê dưới đây có thể bị điện giật, gây cháy và/hay bị thương tật nghiêm trọng.

**Hãy giữ tất cả tài liệu về cảnh báo và hướng dẫn để tham khảo về sau.**

Thuật ngữ “dụng cụ điện cầm tay” trong phần cảnh báo là để cập đến sự sử dụng dụng cụ điện cầm tay của bạn, loại sử dụng điện nguồn (có dây cắm điện) hay vận hành bằng pin (không dây cắm điện).

**Khu vực làm việc an toàn**

- ▶ **Giữ nơi làm việc sạch và đủ ánh sáng.** Nơi làm việc bừa bộn và tối tăm dễ gây ra tai nạn.
- ▶ **Không vận hành dụng cụ điện cầm tay trong môi trường dễ gây nổ, chẳng hạn như nơi có chất lỏng dễ cháy, khí đốt hay rác.** Dụng cụ điện cầm tay tạo ra các tia lửa nên có thể làm rác bén cháy hay bốc khói.
- ▶ **Không để trẻ em hay người đến xem đứng gần khi vận hành dụng cụ điện cầm tay.** Sự phân tâm có thể gây ra sự mất điều khiển.

**An toàn về điện**

- ▶ **Phích cắm của dụng cụ điện cầm tay phải thích hợp với ổ cắm. Không bao giờ được cài biến lại phích cắm dưới mọi hình thức. Không được sử dụng phích tiếp hợp nối tiếp đất (dây mát).** Phích cắm nguyên bản và ổ cắm đúng loại sẽ làm giảm nguy cơ bị điện giật.
- ▶ **Tránh không để thân thể tiếp xúc với đất hay các vật có bề mặt tiếp đất như đường ống, lò sưởi, hàng rào và tủ lạnh.** Có nhiều nguy cơ bị điện giật hơn nếu cơ thể bạn bị tiếp hay nối đất.
- ▶ **Không được để dụng cụ điện cầm tay ngoài mưa hay ở tình trạng ẩm ướt.** Nước vào máy sẽ làm tăng nguy cơ bị điện giật.
- ▶ **Không được lạm dụng dây dẫn điện. Không bao giờ được nắm dây dẫn để xách, kéo hay rút phích cắm dụng cụ điện cầm tay. Không để dây gần nơi có nhiệt độ cao, dầu nhớt, vật nhọn bén hay bộ phận chuyển động.** Làm hỏng hay cuộn rối dây dẫn làm tăng nguy cơ bị điện giật.

## 46 | Tiếng Việt

- ▶ **Khi sử dụng dụng cụ điện cầm tay ngoài trời, dùng dây nối thích hợp cho việc sử dụng ngoài trời.** Sử dụng dây nối thích hợp cho việc sử dụng ngoài trời làm giảm nguy cơ bị điện giật.
- ▶ **Nếu việc sử dụng dụng cụ điện cầm tay ở nơi ẩm ướt là không thể tránh được, dùng thiết bị ngắt mạch tự động (RCD) bảo vệ nguồn.** Sử dụng thiết bị ngắt mạch tự động RCD làm giảm nguy cơ bị điện giật.

**An toàn cá nhân**

- ▶ **Hãy tỉnh táo, biết rõ mình đang làm gì và hãy sử dụng ý thức khi vận hành dụng cụ điện cầm tay.** Không sử dụng dụng cụ điện cầm tay khi đang mệt mỏi hay đang bị tác động do chất gây nghiện, rượu hay được phẩm gây ra. Một thoáng mất tập trung khi đang vận hành dụng cụ điện cầm tay có thể gây thương tích nghiêm trọng cho bản thân.
- ▶ **Sử dụng trang bị bảo hộ cá nhân.** Luôn luôn đeo kính bảo vệ mắt. Trang bị bảo hộ như khẩu trang, giày chống trượt, nón bảo hộ, hay dụng cụ bảo vệ tai khi được sử dụng đúng nơi đúng chỗ sẽ làm giảm nguy cơ thương tật cho bản thân.
- ▶ **Phòng tránh máy khởi động bất ngờ.** Bảo đảm công tắc máy ở vị trí tắt trước khi cắm vào nguồn điện và/hay lắp pin vào, khi nhấn máy lên hay khi mang xách máy. Ngáng ngón tay vào công tắc máy để xách hay kích hoạt dụng cụ điện cầm tay khi công tắc ở vị trí mở để dẫn đến tai nạn.
- ▶ **Lấy mọi chìa hay khóa điều chỉnh ra trước khi mở điện dụng cụ điện cầm tay.** Khóa hay chìa còn gắn dính vào bộ phận quay của dụng cụ điện cầm tay có thể gây thương tích cho bản thân.
- ▶ **Không rướn người.** Luôn luôn giữ tư thế đứng thích hợp và thẳng bằng. Điều này tạo cho việc điều khiển dụng cụ điện cầm tay tốt hơn trong mọi tình huống bất ngờ.
- ▶ **Trang phục thích hợp.** Không mặc quần áo rộng lủng thụng hay mang trang sức. Giữ tóc, quần áo và găng tay xa khỏi các bộ phận chuyển động. Quần áo rộng lủng thụng, đồ trang sức hay tóc dài có thể bị cuốn vào các bộ phận chuyển động.
- ▶ **Nếu có các thiết bị đi kèm để nối máy hút bụi và các phụ kiện khác, bảo đảm các thiết bị này được nối và sử dụng tốt.** Việc sử dụng các thiết bị gom hút bụi có thể làm giảm các độc hại liên quan đến bụi gây ra.

**Sử dụng và bảo dưỡng dụng cụ điện cầm tay**

- ▶ **Không được ép máy.** Sử dụng dụng cụ điện cầm tay đúng loại theo đúng ứng dụng của bạn. Dụng cụ điện cầm tay đúng chức năng sẽ làm việc tốt và an toàn hơn theo đúng tiến độ mà máy được thiết kế.
- ▶ **Không sử dụng dụng cụ điện cầm tay nếu như công tắc không tắt và mở được.** Bất kỳ dụng cụ điện cầm tay nào mà không thể điều khiển được bằng công tắc là nguy hiểm và phải được sửa chữa.
- ▶ **Rút phích cắm ra khỏi nguồn điện và/hay pin ra khỏi dụng cụ điện cầm tay trước khi tiến hành bất kỳ điều chỉnh nào, thay phụ kiện, hay cất dụng cụ điện cầm tay.** Các biện pháp ngăn ngừa như vậy làm giảm nguy cơ dụng cụ điện cầm tay khởi động bất ngờ.
- ▶ **Cất giữ dụng cụ điện cầm tay không dùng tới nơi trẻ em không lấy được và không cho người chưa từng biết dụng cụ điện cầm tay hay các hướng dẫn này sử dụng dụng cụ điện cầm tay.** Dụng cụ điện cầm tay nguy hiểm khi ở trong tay người chưa được chỉ cách sử dụng.
- ▶ **Bảo quản dụng cụ điện cầm tay.** Kiểm tra xem các bộ phận chuyển động có bị sai lệch hay kẹt, các bộ phận bị rạn nứt và các tình trạng khác có thể ảnh hưởng đến sự vận hành của máy. Nếu bị hư hỏng, phải sửa chữa máy trước khi sử dụng. Nhiều tai nạn xảy ra do bảo quản dụng cụ điện cầm tay tồi.
- ▶ **Giữ các dụng cụ cắt bén và sạch.** Bảo quản đúng cách các dụng cụ cắt có cạnh cắt bén làm giảm khả năng bị kẹt và dễ điều khiển hơn.
- ▶ **Sử dụng dụng cụ điện cầm tay, phụ kiện, đầu cài v. v., đúng theo các chỉ dẫn này, hãy lưu ý đến điều kiện làm việc và công việc phải thực hiện.** Sử dụng dụng cụ điện cầm tay khác với mục đích thiết kế có thể tạo nên tình huống nguy hiểm.

**Bảo dưỡng**

- ▶ **Đưa dụng cụ điện cầm tay của bạn đến thợ chuyên môn để bảo dưỡng, chỉ sử dụng phụ tùng đúng chủng loại để thay.** Điều này sẽ đảm bảo sự an toàn của máy được giữ nguyên.

**Các Cảnh Báo An Toàn Cho Khoan Búa**

- ▶ **Hãy mang dụng cụ bảo vệ tai.** Để tai trần tiếp xúc với tiếng ồn có thể làm mất thính giác.
- ▶ **Hãy sử dụng tay nắm phụ, nếu như được giao kèm với dụng cụ.** Sự mất điều khiển có thể gây thương tích cho bản thân.

- ▶ **Nắm giữ dụng cụ điện nơi phân phối cách điện khi thực hiện việc gia công nơi dụng cụ cắt có thể chạm vào dây điện không nhìn thấy được hay chính dây của máy.** Dụng cụ cắt chạm phải dây có điện có thể làm cho các bộ phận kim loại không được bao bọc có điện và giết người vận hành máy.
- ▶ **Dùng thiết bị dò tìm thích hợp để xác định nếu có các công trình công cộng lắp đặt ngầm trong khu vực làm việc hay liên hệ với Cty công trình Công cộng địa phương để nhờ hỗ trợ.** Dụng cụ dò tìm đường dẫn điện có thể gây ra hỏa hoạn và điện giật. Làm hư hại đường dẫn khí ga có thể gây nổ. Làm thủng đường dẫn nước gây hư hỏng tài sản hay có khả năng gây ra điện giật.
- ▶ **Khi sử dụng máy, luôn luôn giữ chặt máy bằng cả hai tay và tạo tư thế đứng vững chắc.** Dụng cụ điện cầm tay vận hành an toàn hơn khi dùng cả hai tay.
- ▶ **Kẹp chặt vật gia công.** Vật gia công được kẹp bằng một thiết bị kẹp hay bằng êtô thì vững chắc hơn giữ bằng tay.
- ▶ **Luôn luôn đợi cho máy hoàn toàn ngừng hẳn trước khi đặt xuống.** Dụng cụ lắp vào máy có thể bị kẹp chặt dẫn đến việc dụng cụ điện cầm tay bị mất điều khiển.

## Mô Tả Sản Phẩm và Đặc Tính Kỹ Thuật



**Đọc kỹ mọi cảnh báo an toàn và mọi hướng dẫn.** Không tuân thủ mọi cảnh báo và hướng dẫn được liệt kê dưới đây có thể bị điện giật, gây cháy và/hay bị thương tật nghiêm trọng.

### Dành sử dụng cho

Máy được chế tạo để khoan bê-tông, gạch và đá có động tác búa. Máy cũng thích hợp để khoan gỗ, kim loại, gốm và nhựa mù mà không có động tác đập. Máy có trang bị bộ phận điều khiển điện tử và quay được chiều phải/trái cũng thích hợp cho việc bắt vít.

### Biểu trưng của sản phẩm

Sự đánh số các biểu trưng của sản phẩm là để tham khảo hình minh họa của máy trên trang hình ảnh.

- 1 Phần lắp dụng cụ SDS-plus
- 2 Chụp ngăn bụi
- 3 Vòng Khóa
- 4 Gạc chọn chức năng khoan thường/khoan búa
- 5 Nút nhà khớp gạc chọn phương thức khoan thường/khoan búa
- 6 Gạc vận chuyển đổi chiều quay
- 7 Nút khóa giữ chế độ tự-chạy của công tắc Tắt/Mở
- 8 Công tắc Tắt/Mở
- 9 Hộp chứa bụi, nguyên bộ
- 10 Nút nhà khớp của bộ phận hút bụi
- 11 Nút mở khóa của hộp chứa bụi
- 12 Tay nắm phụ (có bề mặt nắm cách điện)
- 13 Nút dùng điều chỉnh ống lồng định hướng
- 14 Bộ phận hút bụi
- 15 Ống lồng định hướng
- 16 Nút điều chỉnh cho cỡ định độ sâu
- 17 Bộ phận gom hút bụi dành cho mũi khoan thường
- 18 Tay nắm (bề mặt nắm cách điện)
- 19 Vít bắt chặt cho mâm cặp khoan loại dùng chia\*
- 20 Mâm cặp khoan loại dùng chia\*
- 21 Chuôi tiếp hợp SDS-plus cho mâm cặp khoan\*
- 22 Rãnh định hướng của bộ phận hút bụi
- 23 Nắp đậy hộp chứa bụi
- 24 Bộ phận lọc
- 25 Hộp kết nối dành cho máy hút bụi bên ngoài\*
- 26 Phần nối máy hút\*
- 27 Vòi ống máy hút\*
- 28 Cỡ định độ sâu
- 29 Nút tháo bộ phận gom hút bụi
- 30 Bộ phận gom hút bụi dành cho mũi khoan lõi\*
- 31 Chốt vấu nhô ra của bộ phận gom hút bụi\*
- 32 Phần lắp đầu gài phổ thông với chuôi SDS-plus\*

\*Phụ tùng được trình bày hay mô tả không phải là một phần của tiêu chuẩn hàng hóa được giao kèm theo sản phẩm. Bạn có thể tham khảo tổng thể các loại phụ tùng, phụ kiện trong chương trình phụ tùng của chúng tôi.

## 48 | Tiếng Việt

**Thông số kỹ thuật**

Khoan Búa	GBH 2-23 REA	
Mã số máy		3 611 B50 5..
Điều khiển tốc độ		●
Quay Phải/Trái		●
Bộ phận hút bụi		●
Công suất vào danh định	W	710
Tần suất đập	bpm	0–4400
Năng lượng va đập của từng hành trình dựa theo Qui Chuẩn-EPTA 05/2009	J	2,5
Tốc độ	v/p	0–1000
Phần lắp dụng cụ		SDS-plus
Đường kính cổ trục	mm	43 (Euro-Norm)
Đường kính khoan tối đa không sử dụng bộ phận hút bụi:		
- Bê tông	mm	23
- Công trình nề (với mũi khoan lõi)	mm	68
- Thép	mm	13
- Gỗ	mm	30
Đường kính khoan tối đa có sử dụng bộ phận hút bụi:		
- Bê tông	mm	16
- Công trình nề (với mũi khoan lõi)	mm	68
Công suất hút	l/min	450
Sức chứa của hộp chứa bụi (đối với mức độ khoan)		
- Lỗ khoan 6 x 30 mm	Khoan	100
- Lỗ khoan 8 x 30 mm	Khoan	60
- Lỗ khoan 12 x 50 mm	Khoan	16
Trọng lượng theo Qui trình EPTA-Procedure 01:2014 (chuẩn EPTA 01:2014)	kg	3,6
Trọng lượng không có bộ phận hút bụi	kg	2,9
Cấp độ bảo vệ		□/II
Các giá trị đã cho có hiệu lực cho điện thế danh định [U] 230 V. Đối với điện thế thấp hơn và các loại máy dành riêng cho một số quốc gia, các giá trị này có thể thay đổi.		

**Sự lắp vào**

- ▶ **Trước khi tiến hành bất cứ việc gì trên máy, kéo phích cắm điện nguồn ra.**

**Tay nắm phụ**

- ▶ **Chỉ vận hành máy của bạn khi đã gắn tay nắm phụ 12.**

**Xoay Tay Nắm Phụ (xem hình A)**

Tay nắm phụ **12** có thể chỉnh đặt ở bất cứ vị trí nào mà tạo ra được sự an toàn và tư thế làm việc thoải mái nhất.

- Vận phần thân dưới của tay nắm phụ **12** ngược chiều kim đồng hồ và xoay tay nắm phụ **12** vào vị trí muốn đặt. Sau đó vận chặt phần thân dưới của tay nắm phụ **12** lại theo chiều kim đồng hồ.

**Chọn Lựa Mâm Cặp Khoan và Dụng Cụ**

Để khoan búa và đục (chỉ đục với phụ kiện MV 200), cần phải có dụng cụ SDS-plus để lắp vào mâm cặp khoan SDS-plus.

Để khoan gỗ, kim loại, gốm và nhựa mũ cũng như để bắt vít mà không có động tác đập, hãy sử dụng loại dụng cụ không phải loại SDS-plus (vd., các mũi khoan có chuỗi hình trụ). Đối với các dụng cụ này, cần sử dụng loại mâm cặp khoan dùng chìa hay không dùng chìa.

**Thay Mâm Cặp Khoan Loại Dùng Chìa Vặn**

Để vận hành với dụng cụ không phải là SDS-plus (vd., khoan có chuỗi hình trụ), phải lắp loại mâm cặp khoan thích hợp vào (mâm cặp khoan cần chìa hay không cần chìa, phụ kiện).



### Lắp Mâm Cặp Khoan Loại Dừng Chia (xem hình B)

- Vận chuỗi tiếp hợp SDS-plus **21** vào trong mâm cặp khoan loại dừng chia **20**. Bắt cố định mâm cặp khoan loại dừng chia **20** bằng vít giữ cố định **19**.

**Xin vui lòng lưu ý vít giữ cố định có ren trái.**

### Lắp Mâm Cặp Khoan Loại Dừng Chia (xem hình C)

- Làm sạch cán chuỗi của chuỗi tiếp hợp và bôi một lớp mỏng dầu bôi trơn lên.
- Lắp mâm cặp khoan loại dừng chia với phần chuỗi tiếp hợp vào trong phần lắp dụng cụ bằng động tác xoay cho đến khi được tự động khóa lại.
- Kiểm tra hiệu quả khóa bằng cách kéo thử mâm cặp khoan loại dừng chia ra.

### Tháo Mâm Cặp Khoan Loại Dừng Chia

- Đẩy vòng khóa **3** ra phía sau và kéo mâm cặp khoan loại dừng chia ra **20**.

### Thay Dụng Cụ

Chụp ngăn bụi **2** hầu như ngăn cản toàn bộ bụi khoan vào trong phần lắp dụng cụ trong lúc vận hành. Khi lắp dụng cụ vào, bảo đảm rằng chụp ngăn bụi **2** không bị làm hư hỏng.

- ▶ **Chụp ngăn bụi bị hư hỏng phải được thay ra ngay lập tức. Chúng tôi khuyến nghị việc thay thế này do một đại lý phục vụ hậu mãi thực hiện.**

### Lắp Dụng Cụ Khoan SDS-plus (xem hình D)

Mâm cặp khoan SDS-plus cho phép thay đổi dụng cụ khoan được đơn giản và tiện lợi mà không cần tới các dụng cụ phụ trợ khác.

- Làm sạch và thoa một lớp mỏng dầu bôi trơn lên chuỗi của dụng cụ.
- Lắp dụng cụ vào bằng cách xoay vận dụng cụ vào ổ lắp dụng cụ cho đến khi tự ăn vào khớp.
- Kiểm tra xem đã cài chắc chưa bằng cách kéo thử dụng cụ ra.

Theo như yêu cầu của hệ thống, dụng cụ khoan SDS-plus có thể chuyển động tự do. Điều này tạo ra sự đảo tòn khi chạy không tải ở một mức nào đó, việc này không làm ảnh hưởng đến độ chính xác của lỗ khoan, vì mũi khoan định tâm của chính nó trong khi khoan.

### Thay Dụng Cụ Khoan SDS-plus Ra (xem hình E)

- Đẩy vòng khóa xuống **3** và lấy dụng cụ ra.

### Lắp Dụng Cụ Khoan Không Phải Loại SDS-plus

**Ghi Chú:** Không sử dụng dụng cụ không phải loại SDS-plus để khoan hay đục có động tác búa! Khoan hay đục có động tác búa làm hỏng dụng cụ không phải loại SDS-plus và mâm cặp của chúng.

- Lắp mâm cặp khoan loại dừng chia **20** (xem "Thay Mâm Cặp Khoan Loại Dừng Chia Vận", trang 48).

- Mở mâm cặp khoan dừng khóa **20** bằng cách vận cho đến khi dụng cụ có thể lắp vào được. Lắp dụng cụ vào.
- Tra chìa vận mâm cặp vào trong các lỗ tương ứng của mâm cặp khoan loại dừng chia **20** và siết đều các lỗ để kẹp chặt dụng cụ lại.
- Chỉnh đặt gạt chọn chức năng **4** về "khoan thường" như hình biểu tượng.

### Thay Dụng Cụ Khoan Không Phải Loại SDS-plus Ra

- Vận vòng xoay của mâm cặp khoan loại dừng chia **20** bằng chìa vận mâm cặp khoan theo ngược chiều đồng hồ cho đến khi có thể tháo dụng cụ khoan ra.

### Bộ phận hút bụi

- ▶ **Mạt bụi từ các vật liệu được sơn phủ ngoài có chứa chì trên một số loại gỗ, khoáng vật và kim loại có thể gây nguy hại đến sức khoẻ con người.** Đụng chạm hay hít thở các bụi này có thể làm người sử dụng hay đứng gần bị dị ứng và/hoặc gây nhiễm trùng hệ hô hấp.

Một số mặt bụi cụ thể, ví dụ như bụi gỗ sợi hay dầu, được xem là chất gây ung thư, đặc biệt là có liên quan đến các chất phụ gia dùng xử lý gỗ (chất cromat, chất bảo quản gỗ). Có thể chỉ nên để thợ chuyên môn gia công các loại vật liệu có chứa amiăng.

- Cách xa ở mức có thể được, sử dụng hệ thống hút thích hợp cho loại vật liệu.
- Tạo không khí thông thoáng nơi làm việc.
- Khuyến nghị nên mang mặt nạ phòng độc có bộ lọc cấp P2.

Tuân thủ các qui định của quốc gia bạn liên quan đến loại vật liệu gia công.

- ▶ **Tránh không để rác tích tụ tại nơi làm việc.** Rác có thể dễ dàng bắt lửa.

- ▶ **Cảnh báo! Nguy cơ cháy! Không được gia công vật liệu kim loại hay gỗ mà có lắp bộ phận hút bụi vào.** Các phối kim loại nóng có thể tự phát cháy hay gây cháy các chi tiết của bộ phận hút bụi.

**Ghi Chú:** Không được sử dụng máy hút **14** khi đục hay bắt vít.

Bộ phận hút bụi **14** co thắt vào khi hoạt động, vì thế bộ phận gom hút bụi luôn luôn được tiếp cận sát với bề mặt cấu kiện được khoan. Bộ phận hút bụi tự động đóng và ngắt mạch cùng lúc với dụng cụ điện.

Để đạt được kết quả hút tốt nhất, xin vui lòng tuân theo các ghi chú dưới đây:

- Dụng cụ khoan được sử dụng không được nhô ra khỏi bộ phận gom hút bụi **17** hay **30** (Ví dụ cho mũi khoan SDS-plus: Chiều dài toàn bộ tối đa khoảng 160 mm, chiều dài làm việc khoảng 100 mm).

**50 | Tiếng Việt**

- Hãy lưu ý là bộ phận gom hút bụi áp sát mặt với vật gia công hay mặt tường. Đồng thời, cách này làm cho việc gia công tại góc vuông được dễ dàng hơn.
- Sau khi đã có được độ sâu khoan theo yêu cầu, trước hết, kéo mũi khoan ra khỏi lỗ khoan và sau đó tắt máy đi.
- Kiểm tra tình trạng của bộ lọc **24** một cách thường xuyên. Thay ngay bộ lọc đã bị hỏng ra.

**Tháo/Ráp Bộ phận Hút Bụi (xem hình F)**

- Để tháo bộ phận hút bụi, nhấn nút nhả khớp **10** và kéo bộ phận hút bụi ra hết về phía trước. Nếu cần, xoay tay nắm phụ **12** qua một bên.
- Để ráp bộ phận hút bụi **14**, đẩy lùa bộ phận hút bụi thông qua các rãnh định hướng **22** lên trên thanh dẫn đỡ của máy cho đến khi nghe tiếng ầm khớp.

**Hộp Khối Bộ Phận Hút Bụi Với Hộp Chứa Bụi (xem hình G)**

Vạch chỉ mức chứa của hộp chứa bụi **9** có thể dễ dàng nhìn kiểm tra xuyên qua nắp đậy trong suốt **23**. Làm trống sạch bộ phận gom hút bụi đúng lúc, nếu không, công suất hút sẽ bị sút giảm.

- Để tháo hộp chứa bụi ra **9**, nhấn hai nút mở khóa **11** và kéo hộp chứa bụi xuống ra khỏi bộ phận hút bụi **14**.
- Trước khi mở hộp chứa bụi ra **9**, vỗ hay gõ nhẹ hộp lên một mặt phẳng cứng để làm bụi long ra khỏi bộ lọc **24**.
- Mở nắp đậy hộp chứa bụi **23** nằm ở dưới đáy và làm trống sạch hộp chứa bụi.
- Đóng nắp đậy hộp chứa bụi **23** và lắp hộp chứa bụi lại từ dưới đưa vào trong bộ phận hút bụi **14** cho đến khi nghe tiếng ầm khớp.
- Kiểm tra bộ lọc **24** xem có bị hư hỏng. Thay bộ lọc ra ngay khi đã bị hỏng.

**Máy Hút Bụi Ngoài (xem hình H)**

Đối với bộ phận hút bụi sử dụng máy hút bụi bên ngoài, hộp kết nối **25** (phụ kiện), được dùng để lắp vào trong bộ phận hút bụi **14** thay cho hộp chứa bụi **9**. Cần phải sử dụng phụ kiện này.

- Để tháo hộp chứa bụi ra **9**, nhấn hai nút mở khóa **11** và kéo hộp chứa bụi xuống ra khỏi bộ phận hút bụi **14**.
- Lắp hộp kết nối **25** đưa từ dưới lên vào trong bộ phận hút bụi cho đến khi nghe tiếng ầm khớp.
- Lắp vòi hút **27** (phụ kiện) lên trên phần nối máy hút **26**. Nối vòi hút **27** vào máy hút bụi (phụ kiện). Phần miêu tả chung cho sự ráp nối các loại máy hút bụi khác nhau có thể tra cứu ở phần cuối các hướng dẫn sử dụng này.

Máy hút bụi phải thích hợp dành cho loại vật liệu đang gia công.

Khi hút bụi khô loại đặc biệt gây nguy hại đến sức khỏe hoặc gây ra ung thư, hãy sử dụng máy hút bụi loại chuyên dụng.

**Điều chỉnh Cỡ Sâu Khoan (xem hình I)**

Cỡ sâu muốn khoan **X** có thể chỉnh đặt bằng cỡ định độ sâu **28**.

- Lắp dụng cụ khoan SDS-plus vào hết trong phần lắp dụng cụ SDS-plus **1**. Nếu không, sự chuyển dịch của dụng cụ khoan SDS-plus có thể dẫn đến sự điều chỉnh sai độ sâu khoan.
- Không mở máy dụng cụ điện lên, ấn mạnh xuống ngay vị trí khoan. Dụng cụ khoan SDS-plus phải áp mặt lên trên bề mặt.
- Nhấn nút để điều chỉnh cỡ định độ sâu **16** và điều chỉnh cỡ định độ sâu **28** sao cho khoảng hở **X** hiển thị bằng con số tương ứng với độ sâu khoan theo yêu cầu của bạn.

**Làm cho bộ phận Hút Bụi Thích Ứng với Chiều Dài Dụng Cụ (xem hình J)**

Để được thuận tiện hơn khi sử dụng dụng cụ khoan ngắn, chiều dài của bộ phận hút bụi **14** có thể làm cho phù hợp.

- Nhấn và giữ nút **13** và đẩy lùa ống lồng định hướng **15** vào trong bộ phận hút bụi **14** cho đến khi bộ phận gom hút bụi nằm sát đầu dụng cụ khoan.
- Để kéo ống lồng định hướng ra, nhấn nút **13** lần nữa.

**Bộ Phận Gom Hút Bụi dành cho Mũi Khoan Thường (xem hình K)**

- Để thay bộ phận gom hút bụi **17**, nhấn nút nhả khớp **29** và kéo bộ phận gom hút bụi ra khỏi bộ phận hút bụi.
- Để lắp bộ phận gom hút bụi **17**, nhấn từ phía trên xuống vào trong bộ phận hút bụi **14** cho đến khi nghe tiếng ầm khớp.

**Bộ Phận Gom Hút Bụi dành cho Mũi Khoan Lõi (phụ tùng) (xem hình L)**

Sử dụng khoan lõi để khoan, bộ phận gom hút bụi dành cho mũi khoan thường **17** phải được thay bằng bộ phận gom hút bụi dành cho mũi khoan lõi **30** (phụ kiện). Khi sử dụng bộ phận gom hút bụi dành cho mũi khoan lõi, hộp kết nối **25** (phụ kiện) phải được sử dụng cho bộ phận hút bụi, chứ không phải hộp chứa bụi **9**.

- Nếu cần, tháo bộ phận gom hút bụi dành cho mũi khoan thường **17** ra.
- Để lắp bộ phận gom hút bụi dành cho mũi khoan lõi **30**, nhấn từ phía trên xuống vào trong bộ phận hút bụi cho đến khi nghe tiếng ầm khớp.
- Để tháo bộ phận gom hút bụi dành cho mũi khoan lõi **30** ra, nhấn chốt vấu nhỏ ra **31** ra ngoài và kéo bộ phận gom hút bụi lên hết phía trên.

## Vận Hành

### Bắt Đầu Vận Hành

- ▶ **Tuân thủ theo đúng điện thế!** Điện thế nguồn phải đúng với điện thế đã ghi rõ trên nhãn máy.

### Chỉnh Đặt Phương Thức Hoạt Động

Với gạc chọn phương thức "khoan thường/khoan búa" **4**, ta chọn đặt phương thức vận hành cho máy.

**Ghi Chú:** Thay đổi phương thức hoạt động chỉ khi đã tắt máy! Nếu không, có thể làm cho máy bị hư hỏng.

- Để thay đổi phương thức vận hành, nhấn nút nhà khớp **5** và vận gạc chọn phương thức "khoan thường/khoan búa" **4** về vị trí theo yêu cầu cho đến khi nghe tiếng ăn khớp.



Vị trí để **khoan búa** bê tông hay đá cũng như để đục (chỉ dùng phụ kiện MV 200 để đục).



Vị trí để **khoan thường** không có động tác đập để khoan gỗ, gốm, kim loại và nhựa mủ cũng như để bắt vít

### Đảo Chiều Quay

Gạc chỉ chiều quay **6** được sử dụng để đảo ngược chiều quay của máy.

- ▶ **Khởi động gạc chỉ chiều quay 6 chỉ khi máy đã hoàn toàn dừng hẳn.**

**Quay Phải:** Vận gạc chọn phương thức hoạt động để khoan thường/khoan búa **6** về hết một trong hai bên ở vị trí này

**Quay Trái:** Vận gạc chọn phương thức hoạt động để khoan thường/khoan búa **6** về hết một trong hai bên ở vị trí này

Luôn luôn chỉnh đặt chiều quay để khoan búa, khoan thường và đục về chiều quay phải.

### Bật Mở và Tắt

- Để **mở** máy, nhấn công tắc Tắt/Mở **8**.
- Để **khóa** công tắc Tắt/Mở, giữ nhấn và nhấn thêm nút khóa tự-chạy **7**.
- Để **tắt** máy, nhả công tắc Tắt/Mở **8**. Khi công tắc Tắt/Mở **8** đã được khóa, trước hết nhấn vào và sau đó nhả ra.

### Chỉnh đặt Tốc độ/Tần suất Đập

Có thể điều chỉnh thay đổi tốc độ/tần suất đập của dụng cụ điện đang hoạt động, tùy theo mức độ công tắc Tắt/Mở **8** được bóp vào.

Lực áp nhẹ lên công tắc Tắt/Mở **8** tạo ra tốc độ thấp/tần suất đập thưa. Lực áp mạnh hơn lên công tắc làm tăng tốc độ và tần suất đập.

### Khớp Ly Hợp Chống Quá Tải

- ▶ Nếu dụng cụ lắp trong máy bị kẹt hay kẹt, lực truyền động đến trục khoan bị ngăn lại. Do vậy tạo ra lực tác động, luôn luôn giữ dụng cụ điện cầm tay bằng cả hai tay thật chắc và tạo tư thế bản thân cho vững chãi.

- ▶ Nếu dụng cụ điện cầm tay bị kẹt, tắt máy và làm rơi dụng cụ lắp trong máy ra. Khi bật máy lên mà dụng cụ khoan còn đang bị kẹt, lực vận mạnh có thể xảy ra.

### Hướng Dẫn Sử Dụng

- ▶ Trước khi tiến hành bất cứ việc gì trên máy, kéo phích cắm điện nguồn ra.

### Đục

Để đục, bộ phận gá lắp sử dụng để đục MV 200 SDS-plus (phụ kiện), được lắp vào bên trong phần lắp dụng cụ SDS-plus **1**. Cần phải sử dụng phụ kiện này.

Bộ phận hút bụi **14** có thể không cần lắp vào để gia công đục.

### Lắp Đầu Gài Vận Vít (xem hình M)

- ▶ **Tra dụng cụ điện cầm tay vào vít/đai ốc chỉ khi đã tắt công tắc.** Dụng cụ gắn trong máy đang xoay có thể trượt ra ngoài.

Để vận hành với đầu gài vận vít, cần sử dụng phần lắp đầu gài phổ thông **32** có chuỗi SDS-plus (phụ kiện).

Bộ phận hút bụi **14** có thể không cần lắp vào để gia công đục.

- Làm sạch cán chuỗi của chuỗi tiếp hợp và bôi một lớp mỏng dầu bôi trơn lên.
- Lắp phần lắp đầu gài phổ thông bằng động tác xoay vào trong phần lắp dụng cụ cho đến khi được tự động khóa lại.
- Kiểm tra hiệu quả khóa bằng cách kéo thử phần lắp đầu gài phổ thông ra.
- Lắp đầu gài vận vít vào trong phần lắp đầu gài phổ thông. Chỉ sử dụng đầu gài vận vít vừa với đầu vít.
- Tháo phần lắp đầu gài phổ thông, kéo vòng khóa **3** về phía sau và tháo phần lắp đầu gài phổ thông **32** ra khỏi phần lắp dụng cụ.

## Bảo Dưỡng và Bảo Quản

### Bảo Dưỡng Và Làm Sạch

- ▶ Trước khi tiến hành bất cứ việc gì trên máy, kéo phích cắm điện nguồn ra.
- ▶ Để được an toàn và máy hoạt động đúng chức năng, luôn luôn giữ máy và các khe thông gió được sạch.

**52 | Tiếng Việt**

► **Chụp ngăn bụi bị hư hỏng phải được thay ra ngay lập tức. Chúng tôi khuyến nghị việc thay thế này do một đại lý phục vụ hậu mãi thực hiện.**

- Làm sạch phần lắp dụng cụ **1** sau mỗi lần sử dụng xong.

**Thay Bộ Lọc (xem hình N)**

Để duy trì hiệu suất của sự lọc, bộ phận lọc **24** của hộp chứa bụi **9** cần phải được thay ra sau khoảng 15 giờ hoạt động.

- Để tháo hộp chứa bụi ra **9**, nhấn hai nút mở khóa **11** và kéo hộp chứa bụi xuống ra khỏi bộ phận hút bụi **14**.
- Tháo bộ lọc **24** kéo lên trên và lắp bộ lọc mới vào.
- Gắn hộp chứa bụi vào lại trong bộ phận hút bụi **14** từ dưới đưa lên cho đến khi nghe tiếng ắc khớp.

**Ghi Chú:** Nếu bộ lọc **24** bị hư hỏng (vd., lủng lỗ, vật liệu bọc kín mềm bị hỏng), cần phải thay ra ngay. Vận hành máy với bộ lọc bị hỏng có thể làm hỏng dụng cụ điện.

Cũng nên thay bộ lọc **24** khi năng suất hút không đạt, ngay cả khi hộp chứa bụi **9** còn trống không.

Nếu như cần phải thay dây dẫn điện thì công việc này phải do hãng Bosch, hay một đại lý được Bosch ủy nhiệm thực hiện để tránh gặp sự nguy hiểm do mất an toàn.

**Dịch Vụ Sau Khi Bán và Dịch Vụ Ứng Dụng**

Bộ phận phục vụ hàng sau khi bán của chúng tôi sẽ trả lời các câu hỏi liên quan đến việc bảo trì và sửa chữa các sản phẩm cũng như các phụ tùng thay thế của bạn. Hình ảnh chi tiết và thông tin phụ tùng thay thế có thể tìm hiểu theo địa chỉ dưới đây:

**www.bosch-pt.com**

Bộ phận dịch vụ ứng dụng Bosch sẽ hân hạnh trả lời các câu hỏi liên quan đến các sản phẩm của chúng tôi và linh kiện của chúng.

Trong tất cả các phản hồi và đơn đặt phụ tùng, xin vui lòng luôn luôn nhập số hàng hóa 10 chữ số theo nhãn của hàng hóa.

**Việt Nam**


CN Cty TNHH Bosch Vietnam tại TP. Hồ Chí Minh  
Tầng 10, Tòa nhà 194 Golden  
473 Điện Biên Phủ  
Phường 25, Quận Bình Thạnh  
Tp. Hồ Chí Minh  
Tel.: (08) 6258 3690  
Fax: (08) 6258 3692  
Hotline: (08) 6250 8555  
[www.bosch-pt.com.vn](http://www.bosch-pt.com.vn)

**Campuchia**

Công ty TNHH Robert Bosch (Campuchia)  
Đơn nguyên 8BC, GT Tower, Tầng 08,  
Đường 169, Tiệp Khắc Blvd, Sangkat Veal Vong,  
Khan 7 Makara, Phnom Penh  
VAT TIN : 100 169 511  
Tel.: +855 23 900 685  
Tel.: +855 23 900 660  
[www.bosch.com.kh](http://www.bosch.com.kh)

**Thải bỏ**

Máy, linh kiện và bao bì phải được phân loại để tái chế theo hướng thân thiện với môi trường.

 Không được thải bỏ dụng cụ điện vào chung với rác sinh hoạt!

**Được quyền thay đổi nội dung mà không phải thông báo trước.**

