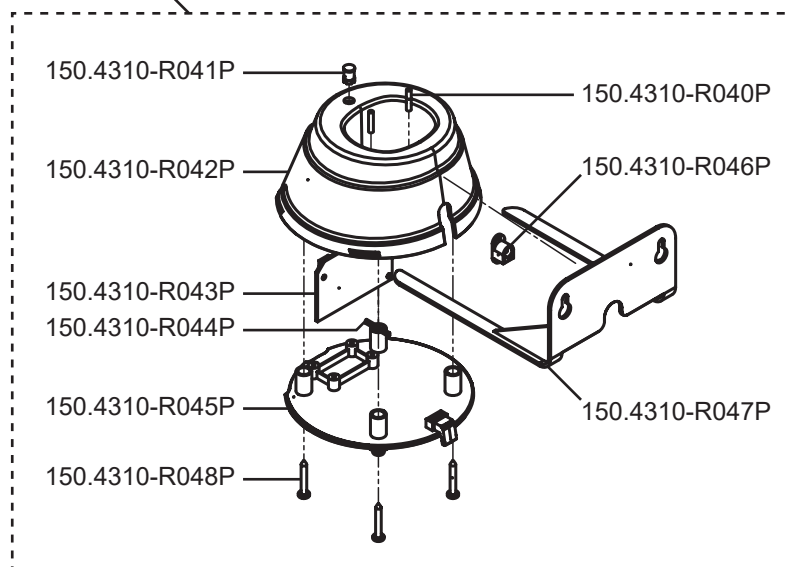


150.4310-R001P



| Art.-Nr. | Description | Beschreibung | Menge / Qty. |
|----------------|-------------------------------------|---------------------------------|--------------|
| 150.4310-R001P | Entire charging base, without cords | Ladeschale komplett, ohne Kabel | 1 |
| 150.4310-R002P | AC power cord | Netzadapter | 1 |
| 150.4310-R003P | DC charger lead | KFZ-Ladekabel | 1 |
| 150.4310-R004P | Frontal cover | Frontabdeckung | 1 |
| 150.4310-R005P | Aluminium panel | Aluminiumverkleidung | 1 |
| 150.4310-R006P | Lens | Linse | 1 |
| 150.4310-R007P | Screw ST2.5x6.5 C | Schraube ST2.5x6.5 C | 2 |
| 150.4310-R008P | Reflector | Reflektor | 1 |
| 150.4310-R009P | LED board | LED-Platine | 1 |
| 150.4310-R010P | Heatsink | Kühlkörper | 1 |
| 150.4310-R011P | Hexagon socket head screw M5x12 | Innensechskantschraube M5x12 | 2 |
| 150.4310-R012P | Washer | Dichtung | 4 |
| 150.4310-R013P | Screw ST2.2x9.5 F | Schraube ST2.2x9.5 F | 6 |
| 150.4310-R014P | Retaining cover | Abdeckung für Halterung | 1 |
| 150.4310-R015P | Screw ST2.9x13 F | Schraube ST2.9x13 F | 4 |
| 150.4310-R016P | Hook | Haken | 1 |
| 150.4310-R017P | Screw ST2.2x4.5 F | Schraube ST2.2x4.5 F | 2 |
| 150.4310-R018P | Back cover | Hintere Abdeckung | 1 |
| 150.4310-R019P | Control joined wire | Kontrollverbindungskabel | 1 |
| 150.4310-R020P | Rotative disc | Rotierende Scheibe | 2 |
| 150.4310-R021P | Steel ball | Stahlkugel | 2 |
| 150.4310-R022P | Screw ST3.0x10 F | Schraube ST3.0x10 F | 4 |
| 150.4310-R023P | Crimpled pin | Verbindungsstift | 1 |
| 150.4310-R024P | Handle | Halter | 1 |
| 150.4310-R025P | Pin | Pin | 1 |
| 150.4310-R026P | Screw ST2.5x13 F | Schraube ST2.5x13 F | 1 |
| 150.4310-R027P | Protection sticker | Aufkleber | 1 |
| 150.4310-R028P | Rubber liner | Gummieinlage | 1 |
| 150.4310-R029P | Switch control board | Steuerschalter | 1 |
| 150.4310-R030P | Charging joined wire | Verbindungskabel | 1 |
| 150.4310-R031P | Battery | Akku | 1 |
| 150.4310-R032P | Rubber cushion | Gummipolster | 1 |
| 150.4310-R033P | Nut M4 | Gewindemutter M4 | 1 |
| 150.4310-R034P | Bottom cover | Abschlussplatte | 1 |
| 150.4310-R035P | Screw ST2.9x30 F | Schraube ST2.9x30 F | 4 |
| 150.4310-R036P | Cuprum stick | Kontaktstift | 2 |
| 150.4310-R037P | Screw M4x16 | Schraube M4x16 | 1 |
| 150.4310-R038P | Magnet | Magnet | 1 |
| 150.4310-R039P | Protecting disc | Schutzscheibe | 1 |
| 150.4310-R040P | Charging pin | Ladekontaktpin | 2 |
| 150.4310-R041P | Lamp cover | Lampenabdeckung | 1 |
| 150.4310-R042P | Top cover | Deckel | 1 |
| 150.4310-R043P | Charging control board with LED | Platine mit LED | 1 |
| 150.4310-R044P | Connecting wire | Verbindungskabel | 1 |
| 150.4310-R045P | Bottom cover | Bodenabdeckung | 1 |
| 150.4310-R046P | Charging socket with cable | Ladebuchse mit Kabel | 1 |
| 150.4310-R047P | Support frame (optional) | Wandhalterung (optional) | 1 |
| 150.4310-R048P | Screw ST3.5x25 F | Schraube ST3.5x25 F | 4 |