

Operator name and signature: Rolf Ugilt *Rolf Ugilt*

Output:	447 lm
Peak:	164 cd
Lux@50cm:	655 Lux
Power:	4,1 W
Power Factor / DF ϕ1:	0,6
Standby power	0,27 W

Light efficacy:

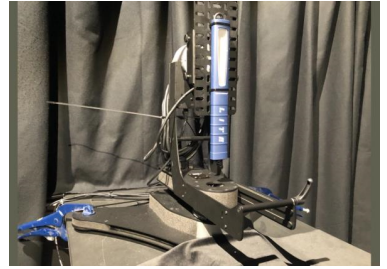
110 Lumen/Watt

Light quality:

CRI: 85,8

Color temperature:

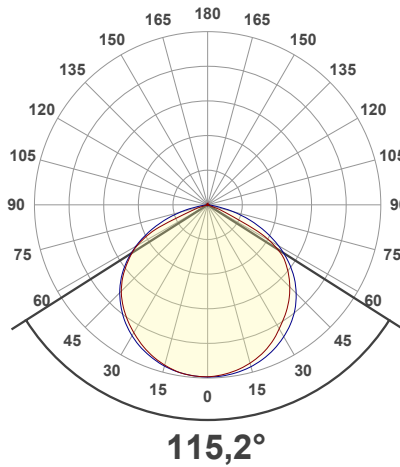
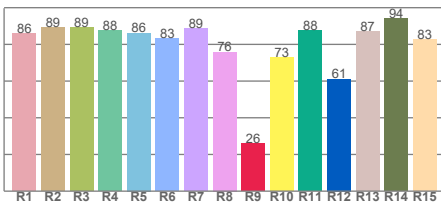
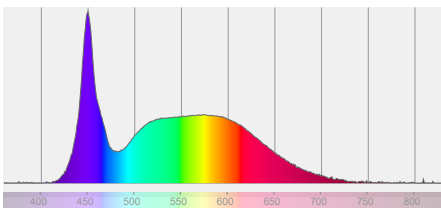
6267 K



According to regulation (EU) 2019/2015

Directionality:	Directional
Useful Lumen:	377 lm
Energy Class:	F
ηTM - Efficacy	109 lm/W

Spectra



Product name:
STAR LITE

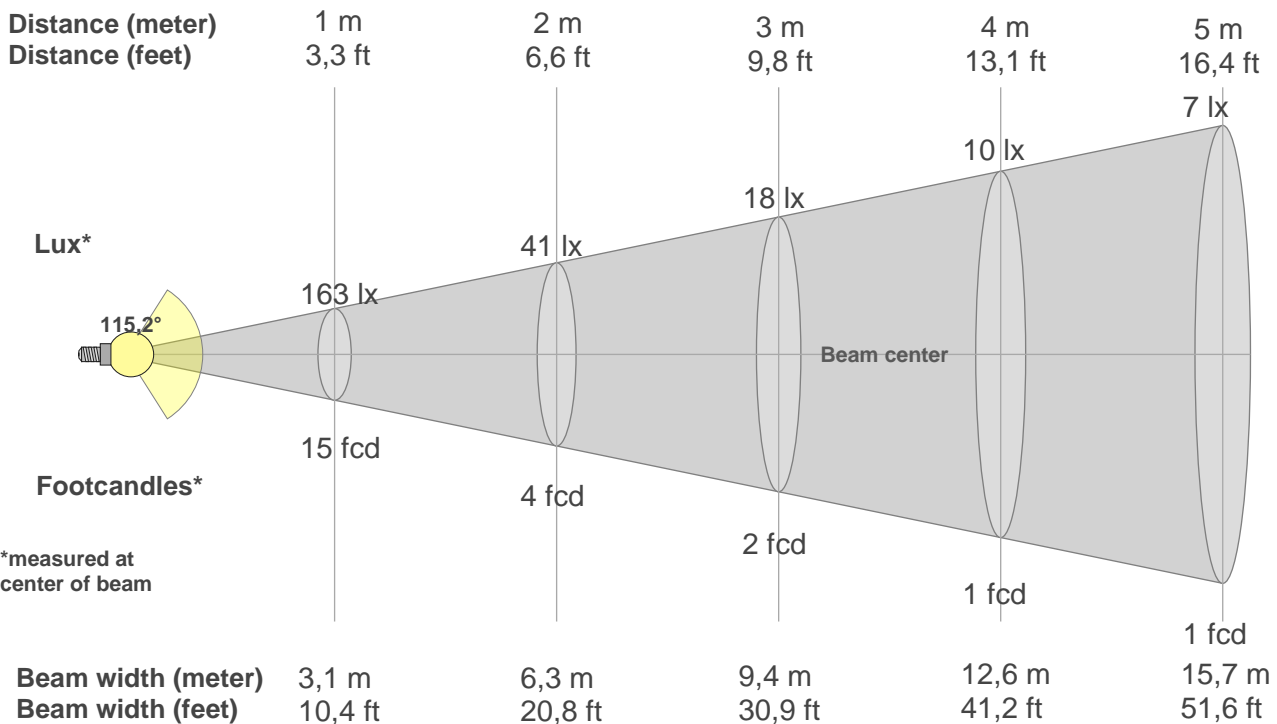
Item number:
03.5671

Date and time:
22-04-2021 15:01:54

Description:
Standby Power [W]: 0,27
Sensor distance: 200 cm
Warmup: <2% in 15 minutes
Power: 230VAC

BEAM DETAILS

Beam distance: 25,6 meters



*measured at center of beam

Beam intensities from 1-20m

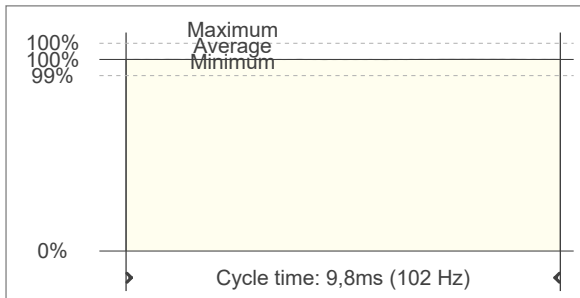
1m	2m	3m	4m	5m	6m	7m	8m	9m	10m	11m	12m	13m	14m	15m	16m	17m	18m	19m	20m
3,3ft	6,6ft	9,8ft	13,1ft	16,4ft	19,7ft	23ft	26,2ft	29,5ft	32,8ft	36,1ft	39,4ft	42,7ft	45,9ft	49,2ft	52,5ft	55,8ft	59,1ft	62,3ft	65,6ft
163lx	41lx	18lx	10lx	7lx	5lx	3lx	3lx	2lx	2lx	1lx	1lx	1lx	1lx	1lx	1lx	1lx	1lx	0lx	0lx
15,2fcd	3,8fcd	1,7fcd	0,9fcd	0,6fcd	0,4fcd	0,3fcd	0,2fcd	0,2fcd	0,2fcd	0,1fcd	0,1fcd	0,1fcd	0,1fcd	0,1fcd	0,1fcd	0,1fcd	0fcd	0fcd	0fcd

FLICKER DETAILS

Flicker curve (complete sampled flicker signal)



Flicker frame (frame of one flicker period)



Flicker frequency:	102,04 Hz
Flicker index:	0
Flicker percentage:	0,11 %
SVM: (Visual flicker)	0
Pst LM:	0,06
SDCM	6,2
Rated Color Temperature	5800 K
Duv	-0,0051

WARMUP DETAILS according to EN 13032-1

