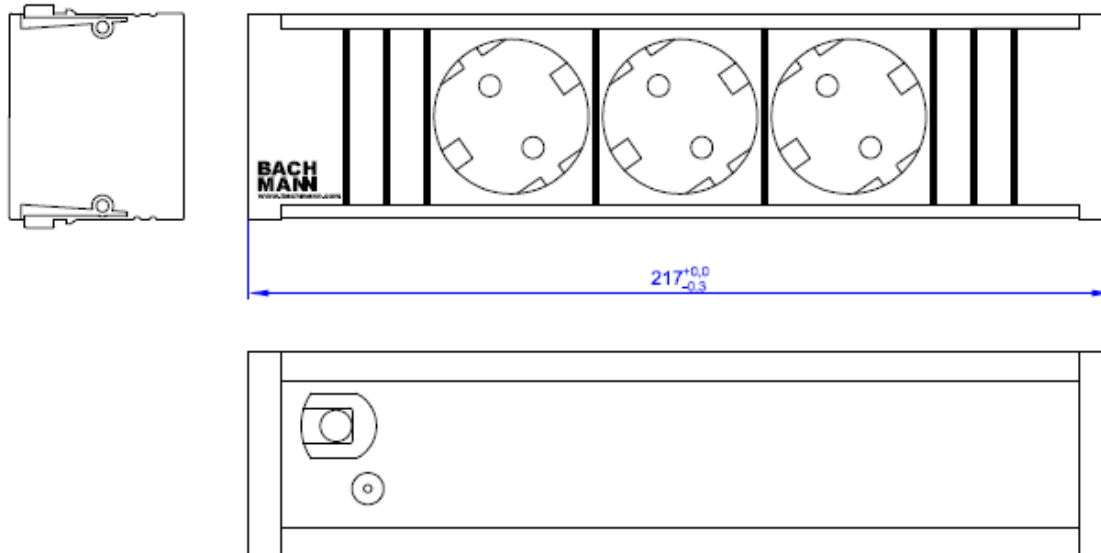


Skizze / Bild



<b>Coni 3xSchuko 35°</b> <b>Steckdosen:</b> <ul style="list-style-type: none"> <li>Nach IEC 60884, VDE 0620-1</li> <li>2-polig mit Schutzkontakt, mit Kindersicherung</li> <li>16A/3680W, AC250V, IP20, 35°</li> <li>Schwarz</li> </ul> <b>Anschluss:</b> <ul style="list-style-type: none"> <li>Stromeingang 0,10m H05VV-F 3G1,5mm<sup>2</sup> Leitung und GST18 Steckverbinder mit Verriegelungsschieber</li> </ul> <b>Profil:</b> <ul style="list-style-type: none"> <li>ALU eloxiert</li> </ul> <b>Kunststoff:</b> <ul style="list-style-type: none"> <li>PA 6 GF, schwarz, Glühdrahtprüfung bis 850°C</li> </ul> <b>Endkappen:</b> <ul style="list-style-type: none"> <li>Genietet, nicht wiederanschließbar</li> </ul> <b>Abmessungen</b> (Länge x Breite x Höhe) in mm: <ul style="list-style-type: none"> <li>Gemäß Zeichnung</li> </ul> <b>Lieferform:</b> <ul style="list-style-type: none"> <li>Im Polybeutel verpackt</li> </ul> <b>Lieferumfang:</b> <ul style="list-style-type: none"> <li>1x Steckdoseneinheit Coni</li> </ul>	<b>Coni 3xGerman socket outlet 35°</b> <b>Sockets:</b> <ul style="list-style-type: none"> <li>According IEC 60884, VDE 0620-1</li> <li>2-pole with earthing contact, incl. child protection</li> <li>16A/3680W, AC250V, IP20, 35°</li> <li>Black</li> </ul> <b>Connection:</b> <ul style="list-style-type: none"> <li>Power input 0,10m H05VV-F 3G1,5mm<sup>2</sup> and GST18 plug with locking slide</li> </ul> <b>Profile:</b> <ul style="list-style-type: none"> <li>aluminum anodized</li> </ul> <b>Plastic material:</b> <ul style="list-style-type: none"> <li>PA 6 GF, black, glow wire resistant up to 850°C</li> </ul> <b>Endcaps:</b> <ul style="list-style-type: none"> <li>With rivets, non rewirable</li> </ul> <b>Measurements</b> (length x width x height): <ul style="list-style-type: none"> <li>According to drawing</li> </ul> <b>Packing:</b> <ul style="list-style-type: none"> <li>In polybag</li> </ul> <b>Extent of delivery:</b> <ul style="list-style-type: none"> <li>1x PDU CONI</li> </ul>
--------------------------------------------------------------------------------------------------------------------------------------------------------------------------------------------------------------------------------------------------------------------------------------------------------------------------------------------------------------------------------------------------------------------------------------------------------------------------------------------------------------------------------------------------------------------------------------------------------------------------------------------------------------------------------------------------------------------------------------------------------------------------------------------------------------------------------------------------------------------------------------------------------------------------------------------------------------------------------------------------------------------------------------------------	-----------------------------------------------------------------------------------------------------------------------------------------------------------------------------------------------------------------------------------------------------------------------------------------------------------------------------------------------------------------------------------------------------------------------------------------------------------------------------------------------------------------------------------------------------------------------------------------------------------------------------------------------------------------------------------------------------------------------------------------------------------------------------------------------------------------------------------------------------------------------------------------------------------------------------------------------------------------------------------------------------------------------------