

Robert Bosch Power Tools GmbH
70538 Stuttgart
Germany

www.bosch-pt.com

1 609 92A 1W8 (2013.11) T / 52 ASIA



1 609 92A 1W8

GST 10,8 V-LI Professional



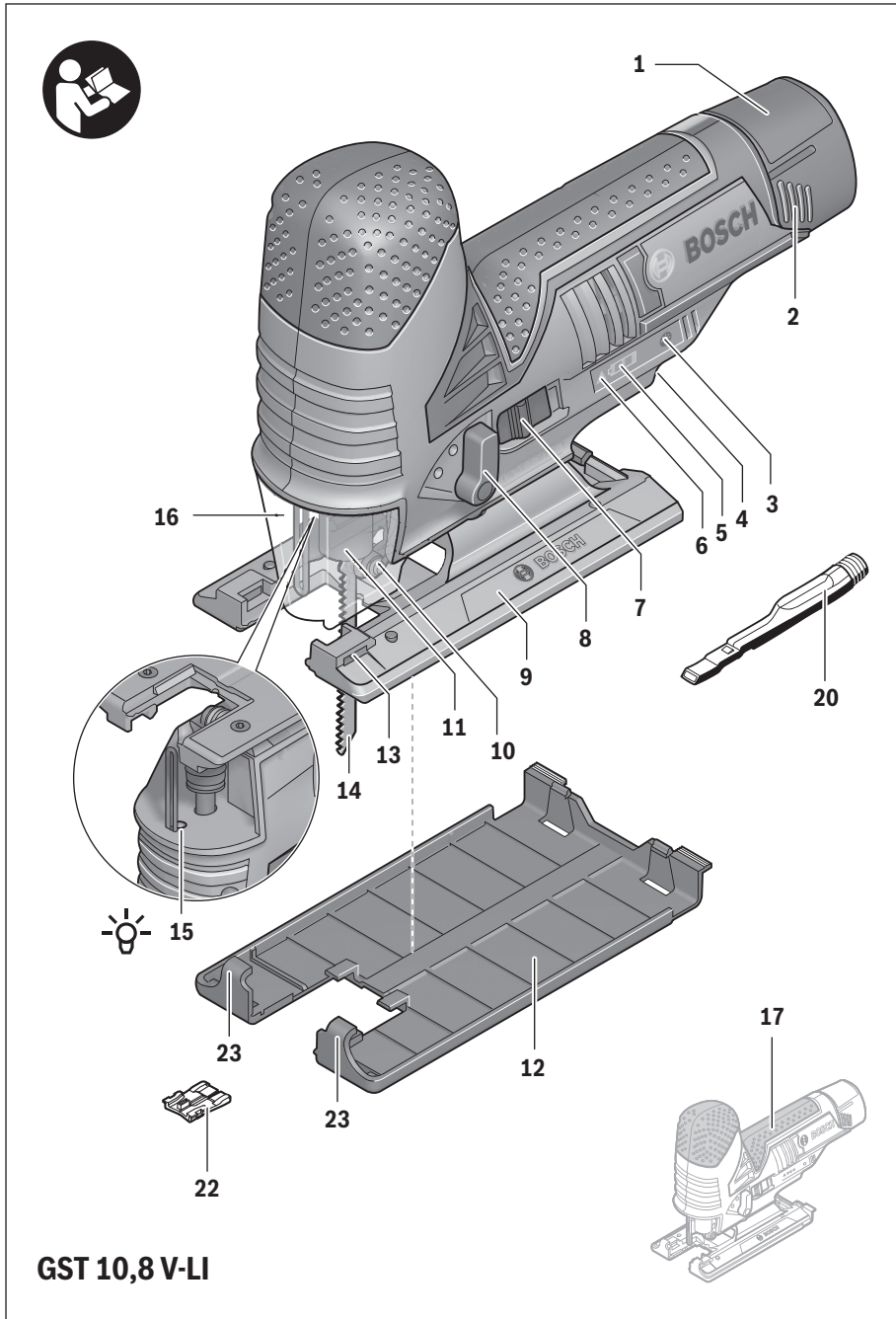
- en** Original instructions
- cn** 正本使用说明书
- tw** 原始使用說明書
- ko** 사용 설명서 원본
- th** หนังสือคู่มือการใช้งานฉบับต้นแบบ
- id** Petunjuk-Petunjuk untuk Penggunaan Orisinal
- vi** Bản gốc hướng dẫn sử dụng

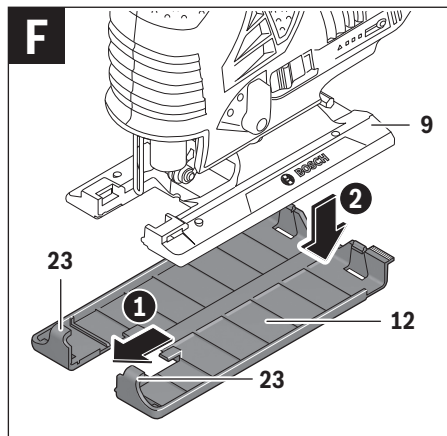
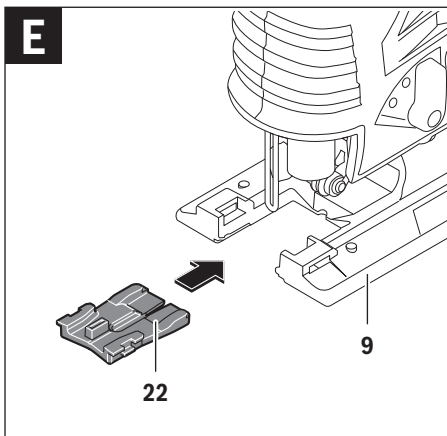
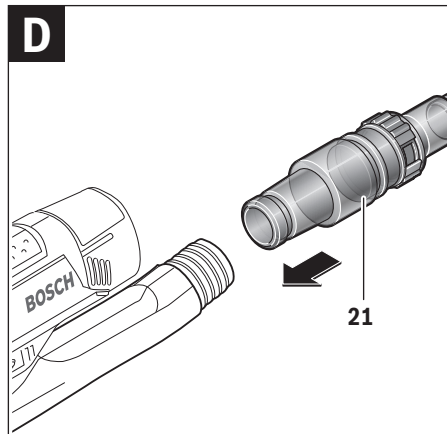
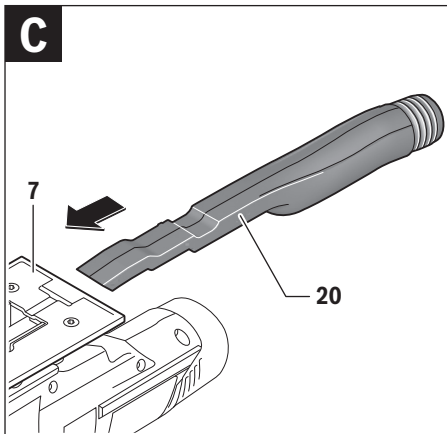
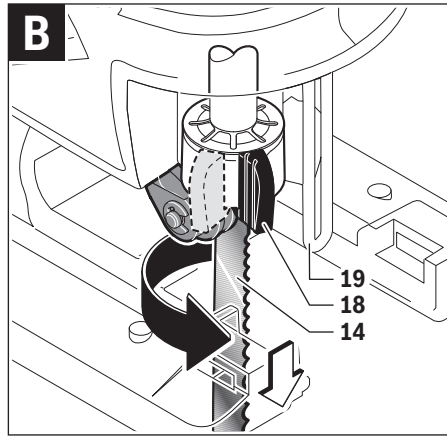
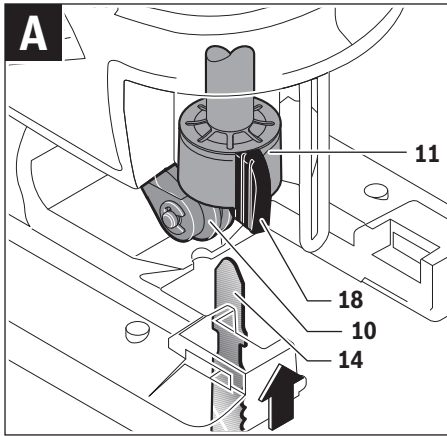


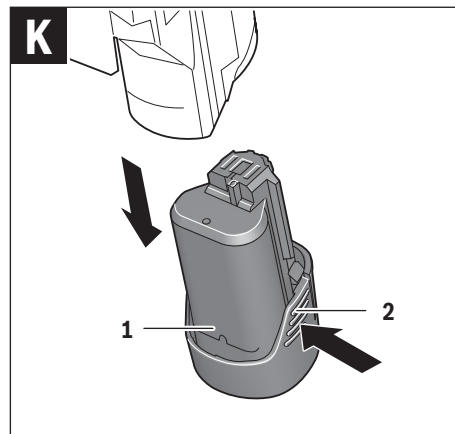
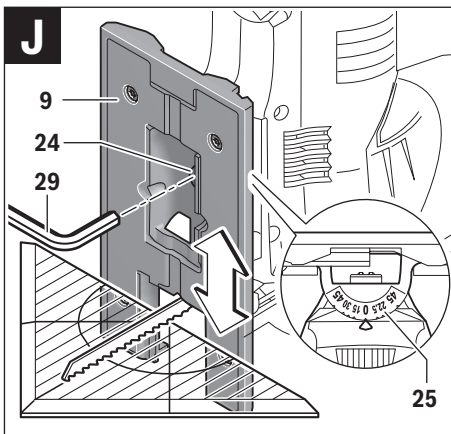
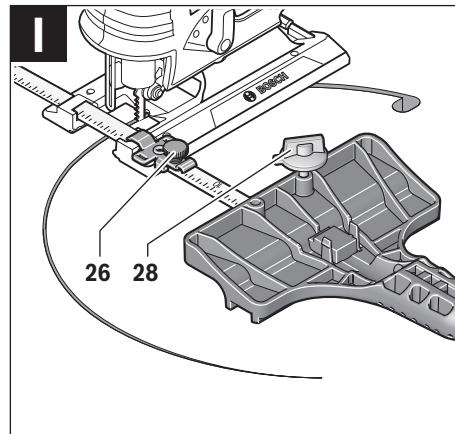
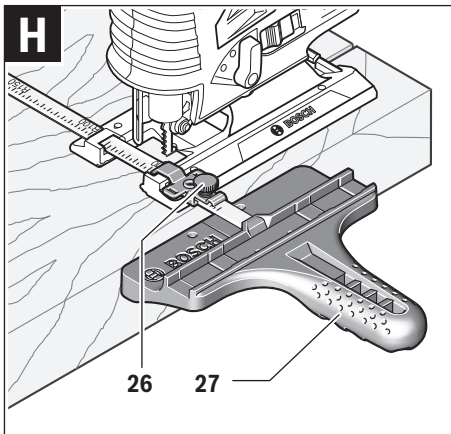
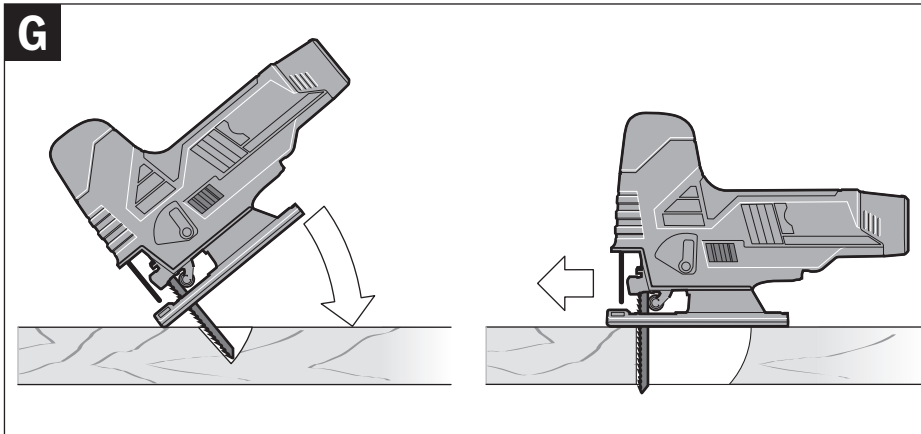


English	Page	6
中文	页	12
中文	頁	17
한국어	페이지	22
ภาษาไทย	หน้า	29
Bahasa Indonesia	Halaman	35
Tiếng Việt	Trang	41









English

Safety Notes

General Power Tool Safety Warnings

⚠ WARNING Read all safety warnings and all instructions. Failure to follow the warnings and instructions may result in electric shock, fire and/or serious injury.

Save all warnings and instructions for future reference.

The term "power tool" in the warnings refers to your mains-operated (corded) power tool or battery-operated (cordless) power tool.

Work area safety

- ▶ **Keep work area clean and well lit.** Cluttered or dark areas invite accidents.
- ▶ **Do not operate power tools in explosive atmospheres, such as in the presence of flammable liquids, gases or dust.** Power tools create sparks which may ignite the dust or fumes.
- ▶ **Keep children and bystanders away while operating a power tool.** Distractions can cause you to lose control.

Electrical safety

- ▶ **Power tool plugs must match the outlet. Never modify the plug in any way. Do not use any adapter plugs with earthed (grounded) power tools.** Unmodified plugs and matching outlets will reduce risk of electric shock.
- ▶ **Avoid body contact with earthed or grounded surfaces, such as pipes, radiators, ranges and refrigerators.** There is an increased risk of electric shock if your body is earthed or grounded.
- ▶ **Do not expose power tools to rain or wet conditions.** Water entering a power tool will increase the risk of electric shock.
- ▶ **Do not abuse the cord. Never use the cord for carrying, pulling or unplugging the power tool. Keep cord away from heat, oil, sharp edges and moving parts.** Damaged or entangled cords increase the risk of electric shock.
- ▶ **When operating a power tool outdoors, use an extension cord suitable for outdoor use.** Use of a cord suitable for outdoor use reduces the risk of electric shock.
- ▶ **If operating a power tool in a damp location is unavoidable, use a residual current device (RCD) protected supply.** Use of an RCD reduces the risk of electric shock.

Personal safety

- ▶ **Stay alert, watch what you are doing and use common sense when operating a power tool. Do not use a power tool while you are tired or under the influence of drugs, alcohol or medication.** A moment of inattention while operating power tools may result in serious personal injury.
- ▶ **Use personal protective equipment. Always wear eye protection.** Protective equipment such as dust mask, non-skid safety shoes, hard hat, or hearing protection used for appropriate conditions will reduce personal injuries.

- ▶ **Prevent unintentional starting. Ensure the switch is in the off-position before connecting to power source and/or battery pack, picking up or carrying the tool.** Carrying power tools with your finger on the switch or energising power tools that have the switch on invites accidents.
- ▶ **Remove any adjusting key or wrench before turning the power tool on.** A wrench or a key left attached to a rotating part of the power tool may result in personal injury.
- ▶ **Do not overreach. Keep proper footing and balance at all times.** This enables better control of the power tool in unexpected situations.
- ▶ **Dress properly. Do not wear loose clothing or jewellery. Keep your hair, clothing and gloves away from moving parts.** Loose clothes, jewellery or long hair can be caught in moving parts.
- ▶ **If devices are provided for the connection of dust extraction and collection facilities, ensure these are connected and properly used.** Use of dust collection can reduce dust-related hazards.

Power tool use and care

- ▶ **Do not force the power tool. Use the correct power tool for your application.** The correct power tool will do the job better and safer at the rate for which it was designed.
- ▶ **Do not use the power tool if the switch does not turn it on and off.** Any power tool that cannot be controlled with the switch is dangerous and must be repaired.
- ▶ **Disconnect the plug from the power source and/or the battery pack from the power tool before making any adjustments, changing accessories, or storing power tools.** Such preventive safety measures reduce the risk of starting the power tool accidentally.
- ▶ **Store idle power tools out of the reach of children and do not allow persons unfamiliar with the power tool or these instructions to operate the power tool.** Power tools are dangerous in the hands of untrained users.
- ▶ **Maintain power tools. Check for misalignment or binding of moving parts, breakage of parts and any other condition that may affect the power tool's operation. If damaged, have the power tool repaired before use.** Many accidents are caused by poorly maintained power tools.
- ▶ **Keep cutting tools sharp and clean.** Properly maintained cutting tools with sharp cutting edges are less likely to bind and are easier to control.
- ▶ **Use the power tool, accessories and tool bits etc. in accordance with these instructions, taking into account the working conditions and the work to be performed.** Use of the power tool for operations different from those intended could result in a hazardous situation.

Battery tool use and care

- ▶ **Recharge only with the charger specified by the manufacturer.** A charger that is suitable for one type of battery pack may create a risk of fire when used with another battery pack.
- ▶ **Use power tools only with specifically designated battery packs.** Use of any other battery packs may create a risk of injury and fire.

- ▶ **When battery pack is not in use, keep it away from other metal objects, like paper clips, coins, keys, nails, screws or other small metal objects, that can make a connection from one terminal to another.** Shorting the battery terminals together may cause burns or a fire.
- ▶ **Under abusive conditions, liquid may be ejected from the battery; avoid contact. If contact accidentally occurs, flush with water. If liquid contacts eyes, additionally seek medical help.** Liquid ejected from the battery may cause irritation or burns.

Service

- ▶ **Have your power tool serviced by a qualified repair person using only identical replacement parts.** This will ensure that the safety of the power tool is maintained.

Safety Warnings for Jigsaws

- ▶ **Hold power tool by insulated gripping surfaces, when performing an operation where the cutting accessory may contact hidden wiring.** Cutting accessory contacting a "live" wire may make exposed metal parts of the power tool "live" and could give the operator an electric shock.
- ▶ **Keep hands away from the sawing range. Do not reach under the workpiece.** Contact with the saw blade can lead to injuries.
- ▶ **Apply the machine to the workpiece only when switched on.** Otherwise there is danger of kickback when the cutting tool jams in the workpiece.
- ▶ **Pay attention that the base plate 9 rests securely on the material while sawing.** A jammed saw blade can break or lead to kickback.
- ▶ **When the cut is completed, switch off the machine and then pull the saw blade out of the cut only after it has come to a standstill.** In this manner you can avoid kickback and can place down the machine securely.
- ▶ **Use only undamaged saw blades that are in perfect condition.** Bent or dull saw blades can break, negatively influence the cut, or lead to kickback.
- ▶ **Do not brake the saw blade to a stop by applying side pressure after switching off.** The saw blade can be damaged, break or cause kickback.
- ▶ **Use appropriate detectors to determine if utility lines are hidden in the work area or call the local utility company for assistance.** Contact with electric lines can lead to fire and electric shock. Damaging a gas line can lead to explosion. Penetrating a water line causes property damage.
- ▶ **Secure the workpiece.** A workpiece clamped with clamping devices or in a vice is held more secure than by hand.
- ▶ **Always wait until the machine has come to a complete stop before placing it down.** The tool insert can jam and lead to loss of control over the power tool.
- ▶ **Do not open the battery.** Danger of short-circuiting.



Protect the battery against heat, e. g., against continuous intense sunlight, fire, water, and moisture. Danger of explosion.

- ▶ **In case of damage and improper use of the battery, vapours may be emitted. Ventilate the area and seek medical help in case of complaints.** The vapours can irritate the respiratory system.
- ▶ **Use the battery only in conjunction with your Bosch power tool.** This measure alone protects the battery against dangerous overload.
- ▶ **Use only original Bosch batteries with the voltage listed on the nameplate of your power tool.** When using other batteries, e. g. imitations, reconditioned batteries or other brands, there is danger of injury as well as property damage through exploding batteries.

Product Description and Specifications



Read all safety warnings and all instructions. Failure to follow the warnings and instructions may result in electric shock, fire and/or serious injury.

Intended Use

The machine is intended for making separating cuts and cut-outs in wood, plastic, metal, ceramic plates and rubber while resting firmly on the workpiece. It is suitable for straight and curved cuts with mitre angles to 45°. The saw blade recommendations are to be observed.

The light of this power tool is intended to illuminate the power tool's direct area of working operation and is not suitable for household room illumination.

Product Features

The numbering of the product features refers to the illustration of the machine on the graphics page.

- 1 Battery pack
- 2 Battery unlocking button
- 3 "PowerLight" button
- 4 Thumbwheel for stroke rate preselection
- 5 Battery charge-control indicator
- 6 Temperature control/overload protection indicator
- 7 On/Off switch
- 8 Adjusting lever for orbital action
- 9 Base plate
- 10 Guide roller
- 11 Stroke rod
- 12 Plastic sliding shoe
- 13 Lead for the parallel guide
- 14 Saw blade*
- 15 "PowerLight"
- 16 Extraction hood
- 17 Handle (insulated gripping surface)
- 18 SDS clamping lever for saw blade release
- 19 Contact protector
- 20 Vacuum connection

8 | English

- 21 Vacuum hose*
- 22 Splinter guard
- 23 Nose plastic sliding shoe
- 24 Screw
- 25 Scale for mitre angle
- 26 Locking screw for parallel guide*
- 27 Parallel guide with circle cutter*
- 28 Centring tip of the circle cutter*
- 29 Allen key

*Accessories shown or described are not part of the standard delivery scope of the product. A complete overview of accessories can be found in our accessories program.

Technical Data

Cordless Jigsaw		GST 10,8 V-LI	
Article number		3 601 EA1 0..	
Rated voltage	V=	10.8	
Stroke rate at no load n_0	min ⁻¹	1 500 – 2 800	
Stroke	mm	18	
Cutting capacity, max.			
– in wood	mm	70	
– in aluminium	mm	3	
– in non-alloy steel	mm	3	
Bevel cuts (left/right), max.	°	45	
Weight according to EPTA-Procedure 01:2014	kg	1.5 - 1.7*	

* dependent of the battery pack being used

Assembly

- ▶ **Before any work on the machine itself (e.g. maintenance, tool change, etc.) as well as during transport and storage, remove the battery from the power tool.** There is danger of injury when unintentionally actuating the On/Off switch.

Battery Charging

- ▶ **Use only the battery chargers listed on the accessories page.** Only these battery chargers are matched to the lithium ion battery of your power tool.

Note: The battery is supplied partially charged. To ensure full capacity of the battery, completely charge the battery in the battery charger before using your power tool for the first time.

The lithium ion battery can be charged at any time without reducing its service life. Interrupting the charging procedure does not damage the battery.

The lithium ion battery is protected against deep discharging by the "Electronic Cell Protection (ECP)". When the battery is empty, the machine is switched off by means of a protective circuit: The inserted tool no longer rotates.

The battery is equipped with a NTC temperature control which allows charging only within a temperature range of between 0 °C and 45 °C. A long battery service life is achieved in this manner.

Observe the notes for disposal.

Battery Charge-control Indication

The three green LEDs of the battery charge-control indicator **5** show the charging status of the battery **1**. The battery charge-control indicator only illuminates for 5 seconds after start-up.

LED	Capacity
Continuous lighting 3 x green	≥ 2/3
Continuous lighting 2 x green	≥ 1/3
Continuous lighting 1 x green	< 1/3
Flashing light 1 x green	Reserve
Flashing light 3 x green	Empty

When no LED lights up after switching on, then the battery is defective and must be replaced.

Replacing/Inserting the Saw Blade

- ▶ **When mounting the saw blade, wear protective gloves.** Danger of injury when touching the saw blade.

Selecting a Saw Blade

An overview of recommended saw blades can be found at the end of these instructions. Use only T-shank saw blades. The saw blade should not be longer than required for the intended cut.

Use a thin saw blade for narrow curve cuts.

Inserting the Saw Blade (see figure A)

- ▶ **Clean the shank of the saw blade before inserting it.**

An unclean shank cannot be fastened securely.

Insert the saw blade **14** into the stroke rod **11** until it latches. The SDS lever **18** automatically snaps to the rear and the saw blade is locked. Do not manually press the lever **18** toward the rear, otherwise you could damage the machine.

While inserting the saw blade, pay attention that the back of the saw blade is positioned in the groove of the guide roller **10**.

- ▶ **Check the tight seating of the saw blade.** A loose saw blade can fall out and lead to injuries.

Ejecting the Saw Blade (see figure B)

- ▶ **When ejecting the saw blade, hold the machine in such a manner that no persons or animals can be injured by the ejected saw blade.**

Turn the SDS lever **18** forward towards the contact protector **19** to the stop. The saw blade is released and ejected.

Dust/Chip Extraction

- ▶ Dusts from materials such as lead-containing coatings, some wood types, minerals and metal can be harmful to one's health. Touching or breathing-in the dusts can cause allergic reactions and/or lead to respiratory infections of the user or bystanders.

Certain dusts, such as oak or beech dust, are considered as carcinogenic, especially in connection with wood-treatment additives (chromate, wood preservative). Materials containing asbestos may only be worked by specialists.

- As far as possible, use a dust extraction system suitable for the material.
- Provide for good ventilation of the working place.
- It is recommended to wear a P2 filter-class respirator.

Observe the relevant regulations in your country for the materials to be worked.

- ▶ **Prevent dust accumulation at the workplace.** Dusts can easily ignite.

Connecting the Dust Extraction (see figures C – E)

Insert the vacuum connection **20** into the opening of base plate **9**.

Place a vacuum hose **21** (accessory) onto the vacuum connection **20**. Connect the vacuum hose **21** with a vacuum cleaner (accessory). An overview for the connection of various vacuum cleaners can be found at the end of these instructions.

To enable optimum dust extraction, use the splinter guard **22** if possible.

The vacuum cleaner must be suitable for the material being worked.

When vacuuming dry dust that is especially detrimental to health or carcinogenic, use a special vacuum cleaner.

Place the extraction hood **16** onto the contact protector **19**.

Splinter Guard (see figure E)

The splinter guard **22** can prevent fraying of the surface while sawing wood. The splinter guard can only be used with certain saw blade types and only at a cutting angle of 0°.

Insert the splinter guard **22** into base plate **9** from the front.

The splinter guard **22** can also be fitted with the mounted plastic sliding shoe **12**.

Sliding Shoe (see figure F)

When working with sensitive surfaces, use the plastic sliding shoe **12**.

To put on the plastic sliding shoe **12**, place the front edge of the base plate **9** under the nose of the plastic sliding shoe **23**. Then press the power tool onto the plastic sliding shoe **12** until it engages.

When using the plastic sliding shoe **12**, the splinter guard **22** is inserted not into the base plate **9**, but rather the sliding shoe.

Operation

Operating Modes

- ▶ **Before any work on the machine itself (e.g. maintenance, tool change, etc.) as well as during transport and storage, remove the battery from the power tool.** There is danger of injury when unintentionally actuating the On/Off switch.

Orbital Action Settings

The adjustable orbital action allows for optimal adaptation of cutting speed, cutting capacity and cutting pattern to the material being worked.

The orbital action can be adjusted with the adjusting lever **8**, even during operation.

Orbital action switched off (level 0): No orbital action
Orbital action level I: Small orbital action
Orbital action level II: Large orbital action

The optimal orbital action setting for the respective application can be determined through practical testing. The following recommendations apply:

- Select a lower orbital action setting (or switch it off) for a finer and cleaner cutting edge.
- For thin materials such as sheet metal, switch the orbital action off.
- For hard materials such as steel, work with low orbital action.
- For soft materials and when sawing in the direction of the grain, work with maximum orbital action.

Adjusting the Cutting Angle (see figure J)

The base plate **9** can be swivelled by 45° to the left or right for mitre cuts.

Remove the vacuum connection **20**.

In mitre angle 0° there is a pin in a corresponding recess.

Loosen the screw **24** with the Allen key **29** until you can slide the base plate **9** in toward the battery **1**. Let the pin slide into the guide groove.

For adjustment of precise mitre angles, swivel the base plate **9** to the desired position according to the scale **25**. Every angle can be adjusted to 45° using a protractor.

Tighten the screw **24** again.

The vacuum connection **20** and the splinter guard **22** cannot be used for bevel cuts.

Starting Operation

Removing the battery (see figure K)

To remove the battery **1** press the unlocking buttons **2** and pull out the battery downwards. **Do not exert any force.**

Switching On and Off

To **start** the machine, push the On/Off switch **7** forwards.

To **switch off** the power tool, push the On/Off switch **7** back to the "0" position.

Controlling the Stroke Rate

With the thumbwheel for stroke rate preselection **4**, the stroke rate can be preset and changed during operation.

The required stroke rate is dependent on the material and the working conditions and can be determined by a practical trial.

Reducing the stroke rate is recommended when the saw blade engages in the material as well as when sawing plastic and aluminium.

After longer periods of work at low stroke rate, the machine can heat up considerably. Remove the saw blade from the machine and allow the machine to cool down by running it for approx. 3 minutes at maximum stroke rate.

Temperature Dependent Overload Protection

In normal conditions of use, the power tool cannot be overloaded. If the power tool is overloaded or not kept within the permitted battery temperature range, the speed is reduced or the power tool switches off. At reduced speed, the power tool will run again at full speed once the permitted battery temperature is reached or the load is reduced. During automatic shut-down, switch off the power tool, allow the battery to cool down, then switch the power tool back on.

10 | English

Temperature Control/Overload Protection Indicator

The red LED indicator **6** will help you in protecting the battery against overheating and the motor against overloading.

When the LED indicator **6 continuously lights up red**, the temperature of the battery is too high and the machine switches off automatically.

- Switch the power tool off.
- Allow the battery to cool down before continuing to work.

The LED indicator **6 flashes red**, the power tool is blocked and switches off automatically.

Remove the power tool from the workpiece.

As soon as the blockage is corrected, the power tool will continue to work at the set stroke rate.

Protection Against Deep Discharging

The lithium ion battery is protected against deep discharging by the "Electronic Cell Protection (ECP)". When the battery is empty, the machine is switched off by means of a protective circuit: The inserted tool no longer rotates.

Switching on the LED Work Area Illumination

With the button **3** you can switch on the LED work light. The work light is switched off by default.

Restarting Protection

The restarting protection prevents uncontrolled starting of the machine after a power failure. Once the restarting protection is active, the temperature control/overload protection indicator blinks **6** continuously.

To **restart the operation**, switch the On/Off switch **7** to the Off position and start the machine again.

Note: When switching off and on again very quickly, it is possible that the restarting protection is triggered; this will prevent the power tool from starting, although the On/Off switch **7** is actuated. Set the On/Off switch **7** to the off position, and then switch the power tool on again.

Working Advice

- ▶ **When sawing small or thin workpieces, always use a firm support.**

Contact Protector

The contact protector **19** attached to the casing prevents accidental touching of the saw blade during the working procedure and may not be removed.

The outwardly curved edge over the extraction hood **16** prevents the hand from slipping away in the sawing range.

Plunge Cutting (see figure G)

- ▶ **Plunge cuts may only be applied to soft materials, such as wood, gypsum plaster boards, etc.!**

Use only short saw blades for plunge cutting. Plunge cutting is possible only with the mitre angle set at 0°.

Place the machine with the front edge of the base plate **9** on to the workpiece without the saw blade **14** touching the workpiece and switch on. For machines with stroke rate control, select the maximum stroke rate. Firmly hold the machine

against the workpiece and by tilting the machine, slowly plunge the saw blade into the workpiece.

When the base plate **9** fully lays on the workpiece, continue sawing along the desired cutting line.

Parallel Guide with Circle Cutter (Accessory)

Parallel Cuts (see figure H): Loosen the locking screw **26** and slide the scale of the parallel guide through the lead **13** in the base plate. Set the desired cutting width as the scale value on the inside edge of the base plate. Tighten the locking screw **26**.

Circular Cuts (see figure I): Set the locking screw **26** to the other side of the parallel guide. Slide the scale of the parallel guide through the lead **13** in the base plate. Drill a hole in the workpiece centred in the section to be sawn. Insert the centring tip **28** through the inside opening of the parallel guide and into the drilled hole. Set the radius as the scale value on the inside edge of the base plate. Tighten the locking screw **26**.

Coolant/Lubricant

When sawing metal, coolant/lubricant should be applied alongside cutting line because of the material heating up.

Maintenance and Service

Maintenance and Cleaning

- ▶ **Before any work on the machine itself (e.g. maintenance, tool change, etc.) as well as during transport and storage, remove the battery from the power tool.**

There is danger of injury when unintentionally actuating the On/Off switch.

- ▶ **For safe and proper working, always keep the machine and ventilation slots clean.**

Clean the saw blade holder regularly. For this, remove the saw blade from the machine and lightly tap out the machine on a level surface.

Heavy contamination of the machine can lead to malfunctions. Therefore, do not saw materials that produce a lot of dust from below or overhead.

Lubricate the guide roller **10** occasionally with a drop of oil.

Check the guide roller **10** regularly. If worn, it must be replaced through an authorised Bosch after-sales service agent.

The plastic sliding shoe **12** should be replaced when it is worn.

After-sales Service and Application Service

Our after-sales service responds to your questions concerning maintenance and repair of your product as well as spare parts. Exploded views and information on spare parts can also be found under:

www.bosch-pt.com

Bosch's application service team will gladly answer questions concerning our products and their accessories.

In all correspondence and spare parts order, please always include the 10-digit article number given on the type plate of the machine.

People's Republic of China**China Mainland**

Bosch Power Tools (China) Co., Ltd.
567, Bin Kang Road
Bin Jiang District 310052
Hangzhou, P. R. China
Service Hotline: 4008268484
Fax: (0571) 87774502
E-Mail: contact.ptcn@cn.bosch.com
www.bosch-pt.com.cn

HK and Macau Special Administrative Regions

Robert Bosch Hong Kong Co. Ltd.
21st Floor, 625 King's Road
North Point, Hong Kong
Customer Service Hotline: +852 2101 0235
Fax: +852 2590 9762
E-Mail: info@hk.bosch.com
www.bosch-pt.com.hk

Indonesia

PT. Multi Mayaka
Kawasan Industri Pulogadung
Jalan Rawa Gelam III No. 2
Jakarta 13930
Indonesia
Tel.: (021) 46832522
Fax: (021) 46828645/6823
E-Mail: sales@multimayaka.co.id
www.bosch-pt.co.id

Philippines

Robert Bosch, Inc.
28th Floor Fort Legend Towers,
3rd Avenue corner 31st Street,
Fort Bonifacio Global City,
1634 Taguig City, Philippines
Tel.: (02) 8703871
Fax: (02) 8703870
matheus.contiero@ph.bosch.com
www.bosch-pt.com.ph

Bosch Service Center:
9725-27 Kamagong Street
San Antonio Village
Makati City, Philippines
Tel.: (02) 8999091
Fax: (02) 8976432
rosalie.dagdagan@ph.bosch.com

Malaysia

Robert Bosch (S.E.A.) Sdn. Bhd.
No. 8A, Jalan 13/6
G.P.O. Box 10818
46200 Petaling Jaya
Selangor, Malaysia
Tel.: (03) 79663194
Fax: (03) 79583838
cheehoe.on@my.bosch.com
Toll-Free: 1800 880188
www.bosch-pt.com.my

Thailand

Robert Bosch Ltd.
Liberty Square Building
No. 287, 11 Floor
Silom Road, Bangrak
Bangkok 10500
Tel.: 02 6393111, 02 6393118
Fax: 02 2384783
Robert Bosch Ltd., P. O. Box 2054
Bangkok 10501, Thailand
www.bosch.co.th

Bosch Service – Training Centre
La Salle Tower Ground Floor Unit No.2
10/11 La Salle Moo 16
Srinakharin Road
Bangkaew, Bang Plee
Samutprakarn 10540
Thailand
Tel.: 02 7587555
Fax: 02 7587525

Singapore

Robert Bosch (SEA) Pte. Ltd.
11 Bishan Street 21
Singapore 573943
Tel.: 6571 2772
Fax: 6350 5315
leongheng.leow@sg.bosch.com
Toll-Free: 1800 3338333
www.bosch-pt.com.sg

Vietnam

Robert Bosch Vietnam Co. Ltd
10/F, 194 Golden Building
473 Dien Bien Phu Street
Ward 25, Binh Thanh District
84 Ho Chi Minh City
Vietnam
Tel.: (08) 6258 3690 ext. 413
Fax: (08) 6258 3692
hieu.lagia@vn.bosch.com
www.bosch-pt.com

Australia, New Zealand and Pacific Islands

Robert Bosch Australia Pty. Ltd.
Power Tools
Locked Bag 66
Clayton South VIC 3169
Customer Contact Center
Inside Australia:
Phone: (01300) 307044
Fax: (01300) 307045
Inside New Zealand:
Phone: (0800) 543353
Fax: (0800) 428570
Outside AU and NZ:
Phone: +61 3 95415555
www.bosch.com.au

12 | 中文

Transport

The contained lithium ion batteries are subject to the Dangerous Goods Legislation requirements. The user can transport the batteries by road without further requirements.

When being transported by third parties (e.g.: air transport or forwarding agency), special requirements on packaging and labelling must be observed. For preparation of the item being shipped, consulting an expert for hazardous material is required.

Dispatch batteries only when the housing is undamaged. Tape or mask off open contacts and pack up the battery in such a manner that it cannot move around in the packaging. Please also observe possibly more detailed national regulations.

Disposal

The machine, rechargeable batteries, accessories and packaging should be sorted for environmental-friendly recycling.

Do not dispose of power tools and batteries/rechargeable batteries into household waste!

Battery packs/batteries:**Li-ion:**

Please observe the instructions in section "Transport", page 12.

Subject to change without notice.

中文**安全规章****电动工具通用安全警告**

警告！ 阅读所有警告和所有说明！不遵照以下警告和说明会导致电击、着火和/或严重伤害。

保存所有警告和说明书以备查阅。

在所有下列的警告中术语“电动工具”指市电驱动（有线）电动工具或电池驱动（无线）电动工具。

工作场地的安全

- ▶ 保持工作场地清洁和明亮。混乱和黑暗的场地会引发事故。
- ▶ 不要在易爆环境，如有易燃液体、气体或粉尘的环境下操作电动工具。电动工具产生的火花会点燃粉尘或气体。
- ▶ 让儿童和旁观者离开后操作电动工具。注意力不集中会使操作者失去对工具的控制。

电气安全

- ▶ 电动工具插头必须与插座相配。绝不能以任何方式改装插头。需接地的电动工具不能使用任何转换插头。未经改装的插头和相配的插座将减少电击危险。
- ▶ 避免人体接触接地表面，如管道、散热片和冰箱。如果你身体接地会增加电击危险。
- ▶ 不得将电动工具暴露在雨中或潮湿环境中。水进入电动工具将增加电击危险。
- ▶ 不得滥用电线。绝不能用电线搬运、拉动电动工具或拔出其插头。使电线远离热源、油、锐边或运动部件。受损或缠绕的软线会增加电击危险。
- ▶ 当在户外使用电动工具时，使用适合户外使用的外接软线。适合户外使用的软线将减少电击危险。
- ▶ 如果在潮湿环境下操作电动工具是不可避免的，应使用剩余电流动作保护器（RCD）。使用 RCD 可减小电击危险。

人身安全

- ▶ 保持警觉，当操作电动工具时关注所从事的操作并保持清醒。当你感到疲倦，或在有药物、酒精或治疗反应时，不要操作电动工具。在操作电动工具时瞬间的疏忽会导致严重人身伤害。
- ▶ 使用个人防护装置。始终佩戴护目镜。安全装置，诸如适当条件下使用防尘面具、防滑安全鞋、安全帽、听力防护等装置能减少人身伤害。
- ▶ 防止意外起动。确保开关在连接电源和/或电池盒、拿起或搬运工具时处于关断位置。手指放在已接通电源的开关上或开关处于接通时插入插头可能会导致危险。
- ▶ 在电动工具接通之前，拿掉所有调节钥匙或扳手。遗留在电动工具旋转零件上的扳手或钥匙会导致人身伤害。
- ▶ 手不要伸展得太长。时刻注意立足点和身体平衡。这样在意外情况下能很好地控制电动工具。
- ▶ 着装适当。不要穿宽松衣服或佩戴饰品。让衣服、手套和头发远离运动部件。宽松衣服、配饰或长发可能会卷入运动部件中。
- ▶ 如果提供了与排屑、集尘设备连接用的装置，要确保他们连接完好且使用得当。使用这些装置可减少尘屑引起的危险。

电动工具使用和注意事项

- ▶ 不要滥用电动工具，根据用途使用适当的电动工具。选用适当设计的电动工具会使你工作更有效、更安全。
- ▶ 如果开关不能接通或关断工具电源，则不能使用该电动工具。不能用开关来控制的电动工具是危险的且必须进行修理。

- ▶ 在进行任何调节、更换附件或贮存电动工具之前，必须从电源上拔掉插头和 / 或使电池盒与工具脱离。这种防护性措施将减少工具意外起动的危险。
- ▶ 将闲置不用的电动工具贮存在儿童所及范围之外，并且不要让不熟悉电动工具或对这些说明不了解的人操作电动工具。电动工具在未经培训的用户手中是危险的。
- ▶ 保养电动工具。检查运动件是否调整到位或卡住，检查零件破损情况和影响电动工具运行的其他状况。如有损坏，电动工具应在使用前修理好。许多事故由维护不良的电动工具引发。
- ▶ 保持切削刀具锋利和清洁。保养良好的有锋利切削刃的刀具不易卡住而且容易控制。
- ▶ 按照使用说明，考虑作业条件和进行的作业来使用电动工具、附件和工具的刀头等。将电动工具用于那些与其用途不符的操作可能会导致危险。

电池式工具使用和注意事项

- ▶ 只用制造商规定的充电器充电。将适用于某种电池盒的充电器用到其他电池盒时会发生着火危险。
- ▶ 只有在配有专用电池盒的情况下才使用电动工具。使用其他电池盒会发生损坏和着火危险。
- ▶ 当电池盒不用时，将它远离其他金属物体，例如回形针、硬币、钥匙、钉子、螺钉或其他小金属物体，以防一端与另一端连接。电池端部短路会引起燃烧或火灾。
- ▶ 在滥用条件下，液体会从电池中溅出，避免接触。如果意外碰到了，用水冲洗。如果液体碰到了眼睛，还要寻求医疗帮助。从电池中溅出的液体会发生腐蚀或燃烧。

维修

- ▶ 将你的电动工具送交专业维修人员，使用同样的备件进行修理。这样将确保所维修的电动工具的安全性。

针对线路的安全规章

- ▶ 工作时如果安装在电动工具上的工具可能割断隐藏的电线，一定要握住绝缘手柄操作机器。安装在电动工具上的工具如果接触了带电的线路，电动工具上的金属部件会导电，可能造成操作者触电。
- ▶ 双手必须远离锯割范围，手不可以握在工件下端。如果不小心碰触了锯片可能被割伤。
- ▶ 先开动电动工具后再把工具放置在工件上切割。如果电动工具被夹在工件中，会有反击的危险。
- ▶ 锯割时必须把底盘 9 正确地放置在工件上。锯片如果歪斜了，可能断裂或者造成反击。
- ▶ 工作告一段落时，必须先关闭电动工具并等待机器完全静止后，才可以从锯缝中拔出锯刀。如此不但可以防止反击，而且可以防止放置机器时发生危险。

- ▶ 只能使用未受损，功能正常的锯片。弯曲或变钝的锯片可能断裂，对锯痕造成负面影响或导致反弹。
- ▶ 关机后不可以侧压刀片来制止仍然继续转动的刀片。锯刀可能因此受损、断裂或者造成反击。
- ▶ 使用合适的侦测器，以便找出隐藏着的电源线的位置。或者向当地的供电单位索取相关资料。钻穿电线会造成火灾并遭受电击。损坏瓦斯管会引起爆炸。如果水管被刺穿了会导致财物损失。
- ▶ 固定好工件。使用固定装置或老虎钳固定工件，会比用手紧握工件更牢固。
- ▶ 等待电动工具完全静止后才能够放下机器。机器上的工具可能在工作中被夹住，而令您无法控制电动工具。
- ▶ 切勿打开蓄电池。可能造成短路。



保护蓄电池免受高温（例如长期日照），火焰，水和湿气的侵害。有爆炸的危险。

- ▶ 如果蓄电池损坏了，或者未按照规定使用蓄电池，蓄电池中会散发出有毒蒸汽。工作场所必须保持空气流通，如果身体有任何不适必须马上就医。蓄电池散发的蒸汽会刺激呼吸道。
- ▶ 本蓄电池只能配合博世的电动工具一起使用。这样才能确保蓄电池不会过载。
- ▶ 只能使用博世原厂的蓄电池。电池的电压必须和电动工具铭牌上规定的电压相符。使用其他的蓄电池，例如仿制品、经过改造或其它品牌的蓄电池，有受伤的危险以及因为蓄电池爆炸而造成的财物损失。

产品和功率描述



阅读所有的警告提示和指示。如未严格遵守警告提示和指示，可能导致电击，火灾并且 / 或其他的严重伤害。

按照规定使用机器

本机器可以在稳固的底垫上，进行切割、挖割。适用的材料包括木材、塑胶、金属、陶片和橡胶等。本机器不仅能够直锯，也可以斜切，最大斜切角度可达 45 度。请使用本公司推荐的锯刀片。

本电动工具的照明灯用于电动工具工作范围周围的照明，不适用于家庭房间照明。

插图上的机件

机件的编号和电动工具详解图上的编号一致。

- 1 蓄电池
- 2 蓄电池的解锁按键
- 3 "PowerLight" 照明灯按钮
- 4 冲击次数调整轮
- 5 蓄电池的充电电量指示灯
- 6 温度监控功能 / 防过载功能的指示灯
- 7 起停开关

14 | 中文

- 8 振荡调整杆
- 9 底盘
- 10 导引轮
- 11 冲击杆
- 12 塑料滑板
- 13 平行挡块的导引
- 14 锯片 *
- 15 灯 "PowerLight"
- 16 吸尘罩
- 17 手柄 (绝缘握柄)
- 18 SDS 操纵杆, 用来解开锯刀的锁定
- 19 防割伤装置
- 20 吸管接头
- 21 吸管*
- 22 防毛边压板
- 23 塑料滑板凸块
- 24 螺丝
- 25 斜切角的刻度
- 26 平行挡块的固定螺丝 *
- 27 有挖孔辅助器的平行挡块 *
- 28 挖孔辅助器的定心装置*
- 29 内六角扳手

* 图表或说明上提到的附件, 并不包含在基本的供货范围中。
本公司的附件清单中有完整的附件供应项目。

技术数据

充电式线缆		GST 10,8 V-Li	
物品代码		3 601 EA1 0..	
额定电压	伏特 =	10.8	
无负载冲击次数 n_0	次 / 分	1500 - 2800	
冲程	毫米	18	
最大锯深			
- 在木材	毫米	70	
- 在铝材	毫米	3	
- 在钢材 (无镀金处理)	毫米	3	
锯角 (左 / 右) 最大	°	45	
重量符合 EPTA-Procedure 01: 2014	公斤	1.5 - 1.7*	
* 视所使用的蓄电池而定			

安装

▶ 在电动工具上进行任何维护的工作 (例如维修, 更换工具等等), 以及搬运、保存电动工具之前都必须从机器中取出蓄电池。不小心开动了起停开关可能造成伤害。

为蓄电池充电

▶ 只能选用附件页上提供的充电器。此充电器是电动工具上的锂离子蓄电池的专用充电器。

指示: 蓄电池在交货时只完成部分充电。首度使用电动工具之前, 必须先充足蓄电池的电以确保蓄电池的功率。

可以随时为锂离子蓄电池充电, 不会缩短电池的使用寿命。如果充电过程突然中断, 也不会损坏电池。

本锂离子蓄电池配备了 "电子充电室保护装置 (ECP)", 可以防止蓄电池过度放电。电池的电量如果用尽了, 保护开关会自动关闭电动工具: 安装在机器上的工具会停止转动。

蓄电池上安装了 NTC- 温度监控装置。当温度位在摄氏 0 到 45 度间时, 才能进行充电。所以能够大大地延长蓄电池的使用寿命。

请注意有关作废处理的规定。

蓄电池的充电电量指示灯

蓄电池充电电量指示灯 5 的三个绿色 LED 灯显示蓄电池 1 的充电电量。充电电量指示灯在启动后只亮起 5 秒。

LED	容量
3 个绿灯持续亮着	$\geq 2/3$
2 个绿灯持续亮着	$\geq 1/3$
1 个绿灯持续亮着	$< 1/3$
1 个绿灯闪烁	备用电量
3 个绿灯闪烁	电量用尽

如果接通后没有 LED 灯亮起, 则说明蓄电池损坏, 必须进行更换。

安装 / 更换锯刀

▶ 安装锯片时要戴上工作手套。如果接触了锯片, 可能被割伤。

选择锯片

在本说明书的末页有锯刀列表。只能使用有凸起的柄 (T- 柄)。参考锯割深度选择长度合适的锯刀。

锯割狭窄的弯角时, 必须使用窄的锯刀。

安装锯刀 (参考插图 A)

▶ 安装之前要先清洁锯刀柄。肮脏的刀柄无法被牢牢地固定在机器上。

把锯刀 14 推入冲击杆 11 中, 并让刀片套牢。此时 SDS 操纵杆 18 会自动向后弹, 此时锯刀已经被锁定。不可以用手把操纵杆 18 向后推压, 这样可能会损坏电动工具。

安装锯刀时请注意, 刀背要套入导引轮 10 的凹槽中。

▶ 检查锯刀是否已经装牢了。松动的锯刀可能掉落并伤害您。

抛出锯刀 (参考插图 B)

- ▶ 抛出锯刀时千万要握好电动工具，不可以让弹出的锯刀伤害旁人或动物。

朝着防割伤装置 19 的方向，将 SDS 提杆 18 向前拧转到尽头。接着锯片会被松开，并被抛出。

吸锯尘 / 吸锯屑

- ▶ 含铅的颜料以及某些木材、矿物和金属的加工废尘有害健康。机器操作者或者工地附近的人如果接触、吸入这些废尘，可能会有过敏反应或者感染呼吸道疾病。

某些尘埃（例如加工橡木或山毛榉的废尘）可能致癌，特别是和处理木材的添加剂（例如木材的防腐剂等）结合之后。只有经过专业培训的人才能够加工含石棉的物料。

- 尽可能使用适合物料的吸尘装置。
- 工作场所要保持空气流通。
- 最好佩戴 P2 滤网等级的口罩。

请留心并遵守贵国和加工物料有关的法规。

- ▶ 避免让工作场所堆积过多的尘垢。尘埃容易被点燃。

安装吸尘装备 (参考插图 C-E)

把吸管接头 20 插入底盘 9 的凹孔中。

把吸管 21 (附件) 插入吸管接头 20 中。把吸管 21 的另一端安装在吸尘器 (附件) 上。本说明书的末页有各种吸尘器的列表清单。

安装好防毛边压板 22 以便加强吸尘的效果。

根据工件的物料选择合适的吸尘装置。

吸集可能危害健康，可能导致癌症或干燥的废尘时，务必使用特殊的吸尘装置。

将吸尘罩 16 套到防割伤装置 19 上。

防毛边压板 (参考插图 E)

防毛边压板 22 可以在锯割木材时防止表面裂开。防毛边压板只能用于特定的锯片类型，并且只能用于 0° 锯角。

从前端把防毛边压板 22 推入底盘 9 中。

也可在安装了塑料滑板 12 的情况下插上防毛边压板 22。

滑板 (参考插图 F)

加工敏感表面时请使用塑料滑板 12。

安装塑料滑板 12 时，将底盘 9 的前端装到塑料滑板凸块 23 的下方。然后按压电动工具，将其卡入塑料滑板 12。

使用塑料滑板 12 时，防毛边压板 22 不要装在底盘 9 中，而要装在塑料滑板中。

操作**操作功能**

- ▶ 在电动工具上进行任何维护的工作（例如维修，更换工具等等），以及搬运、保存电动工具之前都必须从机器中取出蓄电池。不小心开动了起停开关可能造成伤害。

调整振荡功能

有了可调式摆动功能，可以根据加工物料设定最佳的锯割速度、锯割功率和锯割效果。

使用调整杆 8，即使在机器运转中也可以调整振荡功能。

关闭摆动功能 (0 级): 无振荡
摆动等级 I: 小振荡
摆动等级 II: 大振荡

只有实际操作才能够找出最合适的设定方式。以下各设定建议仅供参考：

- 振荡级数越小，甚至完全关闭振荡功能，锯缘越细越干净。
- 锯割薄的工件时（例如铁皮）必须关闭振荡功能。
- 使用小的振荡级锯割硬的工件（例如钢板）。
- 锯割软的工件，或顺着木纹锯割木材时必须设定最大的振荡级。

调整斜角角度 (参考插图 J)

锯割斜角时，可以把底盘 9 向左或向右倾斜，最大倾斜角度为 45 度。

拆下吸管接头 20。

斜角为 0° 时，在相应的凹孔中有一个销子。

用内六角扳手 29 松开螺丝 24，直到可以将底盘 9 朝蓄电池 1 方向移动。让销子在导槽中滑动。

调整斜角时，根据刻度 25 将底盘 9 转动到所需的位置。借助测角仪可以将每个角调整最多 45°。

再度拧紧螺丝 24。

锯割斜角时不可以安装吸管接头 20 和防毛边压板 22。

操作机器**取出蓄电池 (参考插图 K)**

先按下解锁按键 2，接著才能够从电动工具中，向下抽出蓄电池 1。切勿强行拉出蓄电池。

开动 / 关闭

向前推动起停开关 7，**开动** 电动工具。

如要**关闭**电动工具，将起停开关 7 推到位置 "0"。

16 | 中文

调整冲击次数

使用冲击次数调整轮 4，可以设定冲击次数，也可以在机器运转中改变冲击次数。

正确的冲击次数必须视工件物料和工作状况而定。唯有实际操作才能找出最合适的冲击次数。

起锯时，或者锯割塑料、铝片时最好降低冲击次数。

使用低冲击次数长期工作之后，电动工具会变热。此时得先抛出锯片，然后让电动工具以最大冲击次数运作约 3 分钟以帮助冷却。

温控的过载保护装置

按照规定使用时不会造成电动工具过载。过大负荷或超出允许的蓄电池温度范围会导致转速降低或造成电动工具关闭。如果转速降低，电动工具只有在达到允许的蓄电池温度或负荷降低后，才会重新全速运行。如果自动关闭，请关闭电动工具，让蓄电池冷却，然后重新开电动工具。

温度监控功能 / 防过载功能的指示灯

红色的指示灯 6 可以帮助您，预防蓄电池超温和保护马达不会超载。

如果 LED 指示灯 6 持续亮着红灯，代表蓄电池的温度太高，而且电动工具会自动关闭。

- 关闭电动工具。
- 继续操作之前要先让蓄电池冷却。

闪烁 LED 指示灯 6 红光，代表电动工具被卡住了，此时电动工具会自动关闭。

从工件中拉出电动工具。

只要阻碍一消除，电动工具又会以设定好的冲击次数继续工作。

防止过度放电装置

本锂离子蓄电池配备了“电子充电室保护装置 (ECP)”，可以防止蓄电池过度放电。电池的电量如果用尽了，保护开关会自动关闭电动工具：安装在机器上的工具会停止转动。

开启工作灯

使用按键 3 可以开启 LED 工作灯。工作灯是默认是关闭的。

防止再起动装置

防止再起动装置可以避免电动工具在供电中断之后，突然失控地再度起。防止再起动装置一旦激活，温度监控功能 / 防过载功能的指示灯 6 会持续闪烁。

再度开动，先关闭起停开关 7，然后再重新开动机。器。

指示：如果关机后马上再开机，可能会启动防范再起功能，此时就算启动了起停开关 7 机器也不会运转。如果发生上述情况要先把起停开关 7 设定在关闭的位置，然后再重新开电动工具。

有关操作方式的指点

▶ **加工小或薄的工件时一定要使用坚固的底垫。**

防割伤装置

安装在机器上的防割伤装置 19，可以防止操作者在工作时因为疏忽而碰触锯刀，因此不可以将它拆除。

吸尘罩 16 上方朝外弯曲的边缘可以防止手滑落到锯割范围内。

潜锯 (参考插图 G)

▶ **只能在软的物料上进行潜锯，例如木材，石膏板等等。**

潜锯时只能使用短的锯刀，并且只能选择 0 度的斜角锯割角。

先将底盘 9 的前缘顶在工件上，但是锯刀 14 不可以接触工件，接著再开电动工具。使用的电动工具如果具备冲击功能，必须把冲击次数设定为最大。用力地将机器顶向工件，並让锯刀片慢慢地潜入工件中。

待整个底盘 9 贴稳在工件表面后，便可以沿著锯线继续锯割。

有挖孔辅助器的平行挡块 (附件)

平行锯割 (参考插图 H)：放松固定螺丝 26，并且把平行挡块的刻度尺先穿过底盘中的导引 13 再插入底盘中。根据刻度尺调整好需要的锯割宽度。再度拧紧固定螺丝 26。

挖孔辅助器 (参考插图 I)：把固定螺丝 26 安装在平行挡块的另一侧，并且把平行挡块的刻度尺先穿过底盘中的导引 13 再插入底盘中。在挖锯范围的中央位置钻孔。把定心顶尖 28 穿过平行挡块的内孔，并插入钻好的孔中。根据刻度尺调整好挖割范围的半径。拧紧固定螺丝 26。

冷却剂 / 润滑剂

锯割金属时由于物料会变热，必须在锯割线上涂抹冷却剂或润滑剂。

维修和服务**维修和清洁**

▶ **在电动工具上进行任何维护的工作 (例如维修，更换工具等等)，以及搬运、保存电动工具之前都必须从机器中取出蓄电池。**不小心开动了起停开关可能造成伤害。

▶ **电动工具和通风间隙都必须保持清洁，这样才能够提高工作品质和安全性。**

定期清洁锯刀接头。此时必须先电动工具中拆下锯刀，并且在平坦的表面上轻敲电动工具，以便抖落污垢。

电动工具如果沾满污垢，可能会影响机器的功能。因此不可以仰头锯割会产生大量灰尘的工件。

偶尔要在导引轮 **10** 上滴油润滑。

定期检查导引轮 **10** 是否磨损了。如果确定导引轮已经损坏，必须把机器交给经过授权的博世客户服务中心更换导引轮。

如果塑料滑板 **12** 已经磨损，则需要更换。

顾客服务处和顾客咨询中心

本公司顾客服务处负责回答有关本公司产品的修理、维护和备件的问题。以下的网页中有爆炸图和备件的资料：

www.bosch-pt.com

博世顾客咨询团队非常乐意为您解答有关本公司产品及附件的问题。

询问和订购备件时，务必提供机器铭牌上标示的 10 位数物品代码。

有关保证，维修或更换零件事宜，请向合格的经销商查询。

中国大陆

博世电动工具（中国）有限公司

中国 浙江省 杭州市

滨江区滨康路 567 号

邮政编码：310052

免费服务热线：4008268484

传真：(0571) 87774502

电邮：contact.ptcn@cn.bosch.com

www.bosch-pt.com.cn

罗伯特·博世有限公司

香港北角英皇道 625 号 21 楼

客户服务热线：+852 2101 0235

传真：+852 2590 9762

电邮：info@hk.bosch.com

网站：www.bosch-pt.com.hk

制造商地址：

Robert Bosch Power Tools GmbH

罗伯特·博世电动工具有限公司

70538 Stuttgart / GERMANY

70538 斯图加特 / 德国

搬运


随着机器一起供货的锂离子蓄电池必须受危险物品法规范。使用者无须另外使用保护包装便可以运送该蓄电池。

但是如果将它交由第三者运送（例如：寄空运或委托运输公司）则要用特殊的包装和标示。此时必须向危险物品专家请教有关寄送危险物品的相关事宜。

确定蓄电池的外壳未受损后，才可以寄送蓄电池。粘好未加盖的触点并包装好蓄电池，不可以让蓄电池在包装中晃动。

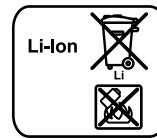
必要时也得注意各国有关的法规。

处理废弃物

 必须以符合环保的方式，回收再利用损坏的电动工具、蓄电池、附件和废弃的包装材料。

不可以把电动工具和蓄电池 / 电池丢入一般的家庭垃圾中！

充电电池 / 电池：



锂离子：


请注意“搬运”段落中的指示，页 17。

保留修改权。

中文

安全規章

電動工具通用安全警告

 **警告** 閱讀所有警告和所有說明。不遵照以下警告和說明會導致電擊、著火和/或嚴重傷害。

保存所有警告和說明書以備查閱。

在所有下列的警告中術語“電動工具”指市電驅動（有線）電動工具或電池驅動（無線）電動工具。

工作場地的安全

- ▶ 保持工作場地清潔和明亮。混亂和黑暗的場地會引發事故。
- ▶ 不要在易爆環境，如有易燃液體、氣體或粉塵的環境下操作電動工具。電動工具產生的火花會點燃粉塵或氣體。
- ▶ 讓兒童和旁觀者離開後操作電動工具。注意力不集中會使你失去對工具的控制。

電氣安全

- ▶ 電動工具插頭必須與插座相配。絕不能以任何方式改裝插頭。需接地的電動工具不能使用任何轉換插頭。未經改裝的插頭和相配的插座將減少電擊危險。
- ▶ 避免人體接觸接地表面，如管道、散熱片和冰箱。如果你身體接地會增加電擊危險。
- ▶ 不得將電動工具暴露在雨中或潮濕環境中。水進入電動工具將增加電擊危險。
- ▶ 不得濫用電線。絕不能用電線搬運、拉動電動工具或拔出其插頭。使電線遠離熱源、油、銳邊或運動部件。受損或纏繞的軟線會增加電擊危險。

18 | 中文

- ▶ 當在戶外使用電動工具時，使用適合戶外使用的外接軟線。適合戶外使用的軟線，將減少電擊危險。
- ▶ 如果在潮濕環境下操作電動工具是不可避免的，應使用剩餘電流動作保護器（RCD）。使用 RCD 可減少電擊危險。

人身安全

- ▶ 保持警覺，當操作電動工具時關注所從事的操作並保持清醒。當你感到疲倦，或在有藥物、酒精或治療反應時，不要操作電動工具。在操作電動工具時瞬間的疏忽會導致嚴重人身傷害。
- ▶ 使用個人防護裝置。始終佩戴護目鏡。安全裝置，諸如適當條件下使用防塵面具、防滑安全鞋、安全帽、聽力防護等裝置能減少人身傷害。
- ▶ 防止意外起動。確保開關在連接電源和 / 或電池盒、拿起或搬運工具時處於關斷位置。手指放在已接通電源的開關上或開關處於接通時插入插頭可能會導致危險。
- ▶ 在電動工具接通之前，拿掉所有調節鑰匙或扳手。遺留在電動工具旋轉零件上的扳手或鑰匙會導致人身傷害。
- ▶ 手不要伸展得太長。時刻注意立足點和身體平衡。這樣在意外情況下能很好地控制電動工具。
- ▶ 著裝適當。不要穿寬鬆衣服或佩戴飾品。讓你的衣服、手套和頭髮遠離運動部件。寬鬆衣服、佩飾或長髮可能會捲入運動部件中。
- ▶ 如果提供了與排屑、集塵設備連接用的裝置，要確保他們連接完好且使用得當。使用這些裝置可減少塵屑引起的危險。

電動工具使用和注意事項

- ▶ 不要濫用電動工具，根據用途使用適當的電動工具。選用適當設計的電動工具會使你工作更有效、更安全。
- ▶ 如果開關不能接通或關斷工具電源，則不能使用該電動工具。不能用開關來控制的電動工具是危險的且必須進行修理。
- ▶ 在進行任何調節、更換附件或貯存電動工具之前，必須從電源上拔掉插頭和 / 或使電池盒與工具脫開。這種防護性措施將減少工具意外起動的危險。
- ▶ 將閒置不用的電動工具貯存在兒童所及範圍之外，並且不要讓不熟悉電動工具或對這些說明不瞭解的人操作電動工具。電動工具在未經培訓的用戶手中是危險的。
- ▶ 保養電動工具。檢查運動件是否調整到位或卡住，檢查零件破損情況和影響電動工具運行的其他狀況。如有損壞，電動工具應在使用前修理好。許多事故由維護不良的電動工具引發。
- ▶ 保持切削刀具鋒利和清潔。保養良好的有鋒利切削刃的刀具不易卡住而且容易控制。

- ▶ 按照使用說明書，考慮作業條件和進行的作業來使用電動工具、附件和工具的刀頭等。將電動工具用於那些與其用途不符的操作可能會導致危險。

電池式工具使用和注意事項

- ▶ 只用製造商規定的充電器充電。將適用於某種電池盒的充電器用到其他電池盒時會發生著火危險。
- ▶ 只有在配有專用電池盒的情況下才使用電動工具。使用其他電池盒會發生損壞和著火危險。
- ▶ 當電池盒不用時，將它遠離其他金屬物體，例如回形針、硬幣、鑰匙、釘子、螺釘或其他小金屬物體，以防一端與另一端連接。電池端部短路會引起燃燒或火災。
- ▶ 在濫用條件下，液體會從電池中濺出；避免接觸。如果意外碰到了，用水沖洗。如果液體碰到了眼睛，還要尋求醫療幫助。從電池中濺出的液體會發生腐蝕或燃燒。

檢修

- ▶ 將你的電動工具送交專業維修人員，必須使用同樣的備件進行更換。這樣將確保所維修的電動工具的安全性。

針對線鋸的安全規章

- ▶ 工作時如果安裝在電動工具上的工具可能割斷隱藏的電線，一定要握住絕緣手柄操作機器。安裝在電動工具上的工具如果接觸了帶電的線路，電動工具上的金屬部件會導電，可能造成操作者觸電。
- ▶ 雙手必須遠離鋸割範圍，手不可以握在工件下端。如果不小心碰觸了鋸片可能被割傷。
- ▶ 先開動電動工具後再把工具放置在工件上切割。如果電動工具被夾在工件中，會有反擊的危險。
- ▶ 鋸割時必須把底盤 9 正確地放置在工件上。鋸片如果歪斜了，可能斷裂或者造成反擊。
- ▶ 工作告一段落時，必須先關閉電動工具並等待機器完全靜止後，才可以從鋸縫中拔出鋸刀。如此不但可以防止反擊，而且可以防止放置機器時發生危險。
- ▶ 只能使用未受損，功能正常的鋸片。彎曲或變態的鋸片可能斷裂，對鋸痕造成負面影響或導致反彈。
- ▶ 關機後不可以側壓刀片來制止仍然繼續轉動的刀片。鋸刀可能因此受損、斷裂或者造成反擊。
- ▶ 使用合適的偵測器，以便找出隱藏著的電源線的位置。或者向當地的供電單位索取相關資料。鑽穿電線會造成火災並遭受電擊。損壞瓦斯管會引起爆炸。如果水管被刺穿了會導致財物損失。
- ▶ 固定好工件。使用固定裝置或老虎鉗固定工件，會比用手持握工件更牢固。
- ▶ 等待電動工具完全靜止後才能夠放下機器。機器上的工具可能在工作中被夾住，而令您無法控制電動工具。
- ▶ 切勿打開蓄電池。可能造成短路。



保護蓄電池免受高溫（例如長期日照），火焰、水和濕氣的侵害。有爆炸的危險。

- ▶ 如果蓄電池損壞了，或者未按照規定使用蓄電池，蓄電池中會散發出有毒蒸汽。工作場所必須保持空氣流通，如果身體有任何不適必須馬上就醫。蓄電池散發的蒸汽會刺激呼吸道。
- ▶ 本蓄電池只能配合博世的電動工具一起使用。這樣才能確保蓄電池不會過載。
- ▶ 只能使用博世原廠的蓄電池。電池的電壓必須和電動工具銘牌上規定的電壓相符。使用其他的蓄電池，例如仿制品，經過改造或其它品牌的蓄電池，有受傷的危險以及因為蓄電池爆炸而造成的財物損失。

產品和功率描述



閱讀所有的警告提示和指示。如未確實遵循警告提示和指示，可能導致電擊、火災並且 / 或其他的嚴重傷害。

按照規定使用機器

本機器可以在穩固的底墊上，進行切割、挖割。適用的材料包括木材、塑膠、金屬、陶片和橡膠等。本機器不僅能夠直鋸，也可以鋸彎角，最大彎角角度可達 45 度。請使用本公司推薦的鋸刀片。

本電動工具的燈光是設計用於照明電動工具的工作範圍，並不適合用於居家照明。

插圖上的機件

機件的編號和電動工具詳解圖上的編號一致。

- 1 蓄電池
- 2 蓄電池的解鎖按鍵
- 3 "PowerLight" 燈按鍵
- 4 沖擊次數調整輪
- 5 蓄電池的充電電量指示燈
- 6 溫度監控功能 / 防過載功能的指示燈
- 7 起停開關
- 8 振蕩調整桿
- 9 底盤
- 10 導引輪
- 11 沖擊桿
- 12 塑膠滑座
- 13 平行擋塊的導引
- 14 鋸片 *
- 15 燈 "PowerLight"
- 16 吸塵罩
- 17 手柄（絕緣握柄）
- 18 SDS 操縱桿，用來解開鋸刀的鎖定

- 19 防割傷裝置
- 20 吸管接頭
- 21 吸管*
- 22 防毛邊壓板
- 23 塑膠滑座凸耳
- 24 螺絲
- 25 斜切角的刻度
- 26 平行擋塊的固定螺絲 *
- 27 有控孔輔助器的平行擋塊 *
- 28 控孔輔助器的定心裝置 *
- 29 內六角扳手

*圖表或說明上提到的附件，並不包含在基本的供貨範圍中。本公司的附件清單中有完整的附件供應項目。

技術性數據

充電式線鋸	GST 10,8 V-LI	
物品代碼	3 601 EA1 0..	
額定電壓	伏特 =	10.8
無負載沖擊次數 n_0	次 / 分	1500 - 2800
沖程	毫米	18
最大鋸深		
- 在木材	毫米	70
- 在鋁材	毫米	3
- 在鋼材（無鍍金處理）	毫米	3
鋸角（左 / 右）最大	°	45
重量符合 EPTA-Procedure 01:2014	公斤	1.5 - 1.7*

* 視所使用的蓄電池而定

安裝

- ▶ 在電動工具上進行任何維護的工作（例如維修，更換工具等等），以及搬運、保存電動工具之前都必須從機器中取出蓄電池。不小心開動了起停開關可能造成傷害。

為蓄電池充電

- ▶ 只能選用附件頁上提供的充電器。此充電器是電動工具上的鋰離子蓄電池的專用充電器。

指示：蓄電池在交貨時只完成部分充電。首度使用電動工具之前，必須先充足蓄電池的電以確保蓄電池的功率。

可以隨時為鋰離子蓄電池充電，不會縮短電池的使用壽命。如果充電過程突然中斷，也不會損壞電池。

本鋰離子蓄電池配備了 "電子充電室保護裝置 (ECP)"，可以防止蓄電池過度放電。電池的電量如果用盡了，保護開關會自動關閉電動工具：安裝在機器上的工具會停止轉動。

20 | 中文

蓄電池上安裝了 NTC- 溫度監控裝置。當溫度位在攝氏 0 到 45 度間時，才能進行充電。所以能夠大大地延長蓄電池的使用壽命。

請注意有關作廢處理的規定。

蓄電池的充電電量指示燈

充電電池的充電電量顯示器 5 有三顆綠色 LED 燈，代表充電電池 1 目前的電量。充電電量顯示器會在功能啟用後亮起 5 秒。

LED	容量
3 個綠燈持續亮著	≥2/3
2 個綠燈持續亮著	≥1/3
1 個綠燈持續亮著	<1/3
1 個綠燈閃爍	備用電量
3 個綠燈閃爍	電量用畢

開機後若無 LED 燈亮起，表示充電電池故障，必須予以更換。

安裝 / 更換鋸刀

▶ **安裝鋸片時要戴上工作手套。** 如果接觸了鋸片，可能被割傷。

選擇鋸片

在本說明書的末頁有鋸刀列表。只能使用有凸起的柄 (T- 柄)。參考鋸割深度選擇長度合適的鋸刀。

鋸割狹窄的彎角時，必須使用窄的鋸刀。

安裝鋸刀 (參考插圖 A)

▶ **安裝之前要先清潔鋸刀柄。** 肮髒的刀柄無法被牢固地固定在機器上。

把鋸刀 14 推入沖擊桿 11 中，並讓刀片套牢。此時 SDS 操縱桿 18 會自動向後彈，此時鋸刀已經被鎖定。不可以用手把操縱桿 18 向後推壓，這樣可能會損壞電動工具。

安裝鋸刀時請注意，刀背要套入導引輪 10 的凹槽中。

▶ **檢查鋸刀是否已經裝牢了。** 松動的鋸刀可能掉落並傷害您。

拋出鋸刀 (參考插圖 B)

▶ **拋出鋸刀時千萬要握好電動工具，不可以讓彈出的鋸刀傷害旁人或動物。**

朝著防割傷裝置 19 的方向，將 SDS 提桿 18 向前轉轉到盡頭。接著鋸片會被松开，並被拋出。

吸鋸塵 / 吸鋸屑

▶ 含鉛的顏料以及某些木材、礦物和金屬的加工廢塵有害健康。機器操作者或者工地附近的人如果接觸、吸入這些廢塵，可能會有過敏反應或者感染呼吸道疾病。

某些塵埃 (例如加工橡木或山毛櫸的廢塵) 可能致癌，特別是和處理木材的添加劑 (例如木材的防

腐劑等) 結合之後。只有經過專業訓練的人才能夠加工含石棉的物料。

- 盡可能使用適合物料的吸塵裝置。
- 工作場所要保持空氣流通。
- 最好佩戴 P2 濾網等級的口罩。

請留心並遵守貴國和加工物料有關的法規。

▶ **避免讓工作場所堆積過多的塵垢。** 塵埃容易被點燃。

安裝吸塵裝備 (參考插圖 C-E)

把吸管接頭 20 插入底盤 9 的凹孔中。

把吸管 21 (附件) 插入吸管接頭 20 中。把吸管 21 的另一端安裝在吸塵器 (附件) 上。本說明書的末頁有各種吸塵器的列表清單。

安裝好防毛邊壓板 22 以便加強吸塵的效果。

根據工件的物料選擇合適的吸塵裝置。

吸集可能危害健康，可能導致癌症或乾燥的廢塵時，務必使用特殊的吸塵裝置。

將吸塵罩 16 移到防割傷裝置 19 上。

防毛邊壓板 (參考插圖 E)

防毛邊壓板 22 可在鋸割木材時防止工件表面被扯裂。防毛邊壓板僅適用於特定種類的鋸片，且鋸角必須為 0°。

從前端把防毛邊壓板 22 推入底盤 9 中。

即使裝了塑膠滑座 12，您還是能套上防毛邊壓板 22。

滑板 (參考插圖 F)

對脆弱表面進行加工時，請使用塑膠滑座 12。

若欲套上塑膠滑座 12，請將底盤 9 前緣靠在塑膠滑座 23 下方。接著電動工具往下壓，即可卡在塑膠滑座 12 上。

使用塑膠滑座 12 時，防毛邊壓板 22 並不是安裝在底盤 9 上，而是應該裝在滑座上。

操作**操作方式**

▶ **在電動工具上進行任何維護的工作 (例如維修、更換工具等等)，以及搬運、保存電動工具之前都必須從機器中取出蓄電池。** 不小心開動了起停開關可能造成傷害。

調整振蕩功能

有了可調式擺動功能，可以根據加工物料設定最佳的鋸割速度、鋸割功率和鋸割效果。

使用調整桿 8，即使在機器運轉中也可以調整振蕩功能。

關閉擺動功能 (0 級)： 無振蕩
擺動等級 I： 小振蕩
擺動等級 II： 大振蕩

只有實際操作才能夠找出最合適的設定方式。以下各設定建議僅供參考：

- 振蕩級數越小，甚至完全關閉振蕩功能，鋸緣越細越干淨。
- 鋸割薄的工件時（例如鐵皮）必須關閉振蕩功能。
- 使用小的振蕩級鋸割硬的工件（例如鋼板）。
- 鋸割軟的工件，或順著木紋鋸割木材時必須設定最大的振蕩級。

調整斜角角度（參考插圖 J）

鋸割斜角時，可以把底座 9 向左或向右傾斜，最大傾斜角度為 45 度。

拆下吸管接頭 20。

斜鋸角為 0° 時，會有一個樁頭出現在對應的開口中。

用內六角扳手 29 將螺栓 24 鬆開至能夠將底座 9 往充電電池 1 方向移動的程度。請讓樁頭在導槽內滑移。

設定斜鋸角時，請依照刻度 25 將底座 9 移擺至所需位置即可。在量角器的輔助之下，可設定的角度最大為 45°。

再度擰緊螺絲 24。

鋸割斜角時不可以安裝吸管接頭 20 和防毛邊壓板 22。

操作機器

取出蓄電池（參考插圖 K）

先按下解鎖按鍵 2，接著才能夠從電動工具中，向下抽出蓄電池 1。切勿強行拉出蓄電池。

開動 / 關閉

向前推動起停開關 7，開動 電動工具。

若要把電動工具關機，請將起停開關 7 推至位置 "0"。

調整沖擊次數

使用沖擊次數調整輪 4，可以設定沖擊次數，也可以在機器運轉中改變沖擊次數。

正確的沖擊次數必須視工件物料和工作狀況而定。唯有實際操作才能找出最合適的沖擊次數。

起鋸時，或者鋸割塑料、鋁片時最好降低沖擊次數。

使用低沖擊次數長期工作之後，電動工具會變熱。此時得先拋出鋸片，然後讓電動工具以最大沖擊次數運作約 3 分鐘以幫助冷卻。

溫控的過載保護裝置

只要按照規定使用，電動工具就不可能過載。萬一負載過重或充電電池的溫度已超出允許範圍，電動工具的轉速會變慢或是直接停機。電動工具將持續以低轉速運作，直到充電電池的溫度降至允許範圍或負載減輕，它才會恢復全速運轉。發生自動停機的情況時，請將電動工具關機，待充電電池降溫後再重新開機。

溫度監控功能 / 防過載功能的指示燈

紅色的指示燈 6 可以幫助您，預防蓄電池過熱和保護馬達不會超載。

如果 LED 指示燈 6 持續亮著紅燈，代表蓄電池的溫度太高，而且電動工具會自動關閉。

- 關閉電動工具。
- 繼續操作之前要先讓蓄電池冷卻。

閃爍 LED 指示燈 6 紅光，代表電動工具被卡住了，此時電動工具會自動關閉。

從工件中拉出電動工具。

只要阻礙一消除，電動工具又會以設定好的衝擊次數繼續工作。

防止過度放電裝置

本鋰離子蓄電池配備了 " 電子充電室保護裝置 (ECP)"，可以防止蓄電池過度放電。電池的電量如果用盡了，保護開關會自動關閉電動工具；安裝在機器上的工具會停止轉動。

開啟工作燈

按壓按鍵 3 即可開啟 LED 工作燈。一般情況下，工作燈為關閉狀態。

防止再起動裝置

防止再起動功能可以避免電動工具在供電中斷之後，突然失控地再度起動。防止再起動功能啟用後，溫度監控 / 過載保護指示燈 6 將立刻持續閃爍。

再度開動，先關閉起停開關 7，然後再重新開動機器。

指示： 如果關機後馬上再開機，可能會啟動防範再起動功能，此時就算啟動了起停開關 7 機器也不會運轉。如果發生上述情況要先把起停開關 7 設定在關閉的位置，然後再重新開動電動工具。

有關操作方式的指點

- ▶ 加工小或薄的工件時一定要使用堅固的底墊。

防割傷裝置

安裝在機器上的防割傷裝置 19，可以防止操作者在工作時因為疏忽而碰觸鋸刀，因此不可以將它拆除。

吸塵罩 16 上部邊緣採外拱設計，可防止手部意外滑落到鋸割範圍內。

潛鋸（參考插圖 G）

- ▶ 只能在軟的物料上進行潛鋸，例如木材，石膏板等等。

潛鋸時只能使用短的鋸刀，並且只能選擇 0 度的斜角鋸割角。

先將底座 9 的前緣頂在工件上，但是鋸刀 14 不可以接觸工件，接著再開動電動工具。使用的電動工具如果具備沖擊功能，必須把沖擊次數設定為最大。用

22 | 한국어

力地將機器頂向工件，並讓鋸刀片慢慢地潛入工件中。

待整個底座 9 貼穩在工件表面后，便可以沿著鋸線繼續鋸割。

有挖孔輔助器的平行擋塊（附件）

平行鋸割（參考插圖 H）：放松固定螺絲 26，並且把平行擋塊的刻度尺先穿過底座中的導引 13 再插入底座中。根據刻度尺調整好需要的鋸割寬度。再度擰緊固定螺絲 26。

挖孔輔助器（參考插圖 I）：把固定螺絲 26 安裝在平行擋塊的另一側，並且把平行擋塊的刻度尺先穿過底座中的導引 13 再插入底座中。在挖鋸範圍的中央位置鑽孔。把定心頂尖 28 穿過平行擋塊的內孔，並插入鑽好的孔中。根據刻度尺調整好挖割範圍的半徑。擰緊固定螺絲 26。

冷卻劑 / 潤滑劑

鋸割金屬時由於物料會變熱，必須在鋸割線上塗抹冷卻劑或潤滑劑。

維修和服務**維修和清潔**

- ▶ 在電動工具上進行任何維護的工作（例如維修，更換工具等等），以及搬運、保存電動工具之前都必須從機器中取出蓄電池。不小心開動了起停開關可能造成傷害。
- ▶ 電動工具和通風間隙都必須保持清潔，這樣才能夠提高工作品質和安全性。

定期清潔鋸刀接頭。此時必須先從電動工具中拆下鋸刀，並且在平坦的表面上輕敲電動工具，以便抖落污垢。

電動工具如果沾滿污垢，可能會影響機器的功能。因此不可以仰頭鋸割會產生大量灰塵的工件。

偶爾要在導引輪 10 上滴油潤滑。

定期檢查導引輪 10 是否磨損了。如果確定導引輪已經損壞，必須把機器交給經過授權的博世客戶服務中心更換導引輪。

塑膠滑座 12 萬一用壞時，應進行更換。

顧客服務處和顧客諮詢中心

本公司顧客服務處負責回答有關本公司產品的修理、維護和備件的問題。以下的網頁中有爆炸圖和備件的資料：

www.bosch-pt.com

博世顧客諮詢團隊非常樂意為您解答有關本公司產品及附件的問題。

詢問和訂購備件時，務必提供機器銘牌上標示的 10 位數物品代碼。

台灣

台灣羅伯特博世股份有限公司

建國北路一段 90 號 6 樓

台北市 10491

電話：(02) 2515 5388

傳真：(02) 2516 1176

www.bosch-pt.com.tw

製造商地址：

Robert Bosch Power Tools GmbH

羅伯特·博世電動工具有限公司

70538 Stuttgart / GERMANY

70538 斯圖加特 / 德國

搬運


隨著機器一起供貨的鋰離子蓄電池必須受危險物品法規規範。使用者無須另外使用保護包裝便可以運送該蓄電池。

但是如果將它交由第三者運送（例如：寄空運或委託運輸公司）則要使用特殊的包裝和標示。此時必須向危險物品專家請教有關寄送危險物品的相關事宜。

確定蓄電池的外殼未受損後，才可以寄送蓄電池。粘好未加蓋的觸點並包裝好蓄電池，不可以讓蓄電池在包裝中晃動。

必要時也得注意各國有關的法規。

處理廢棄物

 必須以符合環保的方式，回收再利用損壞的電動工具、蓄電池、附件和廢棄的包裝材料。

不可以把電動工具和蓄電池 / 電池丟入一般的家庭垃圾中！

蓄電池 / 一般電池：**鋰離子：**

請注意“搬運”段落中的指示，頁 22。

保留修改權。**한국어****안전 수칙****전동공구용 일반 안전수칙**

⚠ 경고 모든 안전수칙과 지시 사항을 상세히 읽고 지켜야 합니다. 다음의 안전수칙과 지시 사항을 준수하지 않으면 화재 위험이 있으며 감전 혹은 중상을 입을 수 있습니다.

앞으로의 참고를 위해 이 안전수칙과 사용 설명서를 잘 보관하십시오.

다음에서 사용되는 “전동공구” 라는 개념은 전원에 연결하여 사용하는 전동 기기 (전선이 있는) 나 배터리를 사용하는 전동 기기 (전선이 없는) 를 의미합니다.

작업장 안전

- ▶ **작업장을 항상 깨끗이 하고 조명을 밝게 하십시오.** 작업장 환경이 어수선하거나 어두우면 사고를 초래할 수 있습니다.
- ▶ **가연성 유체, 가스 또는 분진이 있어 폭발 위험이 있는 환경에서 전동공구를 사용하지 마십시오.** 전동공구는 분진이나 증기에 점화하는 스파크를 일으킬 수 있습니다.
- ▶ **전동공구를 사용할 때 구경꾼이나 어린이 혹은 다른 사람이 작업장에 접근하지 못하게 하십시오.** 다른 사람이 주의를 산만하게 하면 기기에 대한 통제를 잃기 쉽습니다.

전기에 관한 안전

- ▶ **전동공구의 전원 플러그가 전원 콘센트에 잘 맞아야 합니다.** 플러그를 조금이라도 변경시켜서는 안됩니다. 접지된 전동공구를 사용할 때 어댑터 플러그를 사용하지 마십시오. 변형되지 않은 플러그와 잘 맞는 콘센트를 사용하면 감전의 위험을 감소할 수 있습니다.
- ▶ **파이프 관, 라디에이터, 레인지, 냉장고와 같은 접지 표면에 몸이 닿지 않도록 하십시오.** 몸에 닿을 경우 감전될 위험이 높습니다.
- ▶ **전동공구를 비에 맞지 않게 하고 습기 있는 곳에 두지 마십시오.** 전동공구에 물이 들어가면 감전될 위험이 높습니다.
- ▶ **전원 코드를 잡고 전동공구를 운반하거나 걸어 놓아서서는 안되며, 콘센트에서 전원 플러그를 뽑을 때 전원 코드를 잡아 당겨서는 절대로 안됩니다.** 전원 코드가 열과 오일에 접촉하는 것을 피하고, 날카로운 모서리나 기기의 가동 부위에 닿지 않도록 주의하십시오. 손상되거나 영긴 전원 코드는 감전을 유발할 수 있습니다.
- ▶ **실외에서 전동공구로 작업할 때는 실외용으로 적당한 연장 전원 코드만을 사용하십시오.** 실외용 연장 전원 코드를 사용하면 감전의 위험을 줄일 수 있습니다.
- ▶ **전동공구를 습기 찬 곳에서 사용해야 할 경우에는 누전 차단기를 사용하십시오.** 누전 차단기를 사용하면 감전 위험을 줄일 수 있습니다.

사용자 안전

- ▶ **신중하게 작업하십시오.** 작업을 할 때 주의를 하며, 전동공구를 사용할 때 경솔하게 행동하지 마십시오. 피로한 상태이거나 약물 복용 및 음주한 후에는 전동공구를 사용하지 마십시오. 전동공구를 사용할 때 잠시라도 주의를 산만해지면 충상을 입을 수 있습니다.
- ▶ **작업자 안전을 위한 장치를 사용하십시오.** 항상 보안경을 착용하십시오. 전동공구의 종류와 사용에 따라 먼지 보호 마스크, 미끄러지지 않는 안전한 신발,

안전모 또는 귀마개 등의 안전한 복장을 하면 상해의 위험을 줄일 수 있습니다.

- ▶ **실수로 기기가 작동되지 않도록 주의하십시오.** 전동공구를 전원에 연결하거나 배터리를 끼우기 전에, 혹은 기기를 들거나 운반하기 전에, 전원 스위치가 꺼져 있는지 다시 확인하십시오. 전동공구를 운반할 때 전원 스위치가 손가락을 대거나 전원 스위치가 켜진 상태에서 전원을 연결하면 사고 위험이 높습니다.
- ▶ **전동공구를 사용하기 전에 조절하는 톨이나 나사 키등을 빼 놓으십시오.** 회전하는 부위에 있는 톨이나 나사 키로 인해 상처를 입을 수 있습니다.
- ▶ **자신을 과신하지 마십시오.** 불안정한 자세를 피하고 항상 평형을 이룬 상태로 작업하십시오. 안정된 자세와 평형한 상태로 작업해야만이 의외의 상황에서 전동공구를 안전하게 사용할 수 있습니다.
- ▶ **알맞은 작업복을 입으십시오.** 헐렁한 복장을 하거나 장신구를 착용하지 마십시오. 머리카락 또는 장갑이 가동하는 기기 부위에 가까이 닿지 않도록 주의하십시오. 헐렁한 복장, 장신구 혹은 긴 머리는 가동 부위에 밀려 사고를 초래할 수 있습니다.
- ▶ **분진 추출장치나 수거장치의 조립이 가능한 경우, 이 장치가 연결되어 있는지, 제대로 작동이 되는지 확인하십시오.** 이러한 분진 추출장치를 사용하면 분진으로 인한 사고 위험을 줄일 수 있습니다.

전동공구의 올바른 사용과 취급

- ▶ **기기를 과부하 상태에서 사용하지 마십시오.** 작업할 때 이에 적당한 전동공구를 사용하십시오. 알맞은 전동공구를 사용하면 지정된 성능 한도 내에서 더 효율적으로 안전하게 작업할 수 있습니다.
- ▶ **전원 스위치가 고장 난 전동공구를 사용하지 마십시오.** 전원 스위치가 작동되지 않는 전동공구는 위험하므로, 반드시 수리를 해야 합니다.
- ▶ **기기에 세팅을 하거나 액세서리 부품을 교환하거나 혹은 기기를 보관할 때, 항상 전원 콘센트에서 플러그를 미리 빼어 놓으십시오.** 이러한 조치는 실수로 전동공구가 작동하게 되는 것을 예방합니다.
- ▶ **사용하지 않는 전동공구는 어린이 손이 닿지 않는 곳에 보관하고, 전동공구 사용에 익숙지 않거나 이 사용 설명서를 읽지 않은 사람은 기기를 사용해서는 안 됩니다.** 경험이 없는 사람이 전동공구를 사용하면 위험합니다.
- ▶ **전동공구를 조심스럽게 관리하십시오.** 가동 부위가 하자 없이 정상적인 기능을 하는지, 걸리는 부위가 있는지, 혹은 전동공구의 기능에 중요한 부품이 손상되지 않았는지 확인하십시오. 손상된 기기의 부품은 전동공구를 다시 사용하기 전에 반드시 수리를 맡기십시오. 제대로 관리하지 않은 전동공구의 경우 많은 사고를 유발합니다.
- ▶ **절단 공구를 날카롭고 깨끗하게 관리하십시오.** 날카로운 절단면이 있고 잘 관리된 절단공구는 걸리는 경우가 드물고 조절하기도 쉽습니다.

24 | 한국어

▶ **전동공구, 액세서리, 장착하는 공구 등을 사용할 때, 이 지시 사항과 특별히 기종 별로 나와있는 사용 방법을 준수하십시오. 이때 작업 조건과 실시하려는 작업 내용을 고려하십시오.** 원래 사용 분야가 아닌 다른 작업에 전동공구를 사용할 경우 위험한 상황을 초래할 수 있습니다.

충전 전동공구의 올바른 사용과 취급

▶ **배터리를 충전할 때 제조 회사가 추천하는 충전기만을 사용하여 재충전해야 합니다.** 특정 제품의 배터리를 위하여 제조된 충전기에 적합하지 않은 배터리를 충전할 경우 화재 위험이 있습니다.

▶ **각 전동공구용으로 나와있는 배터리만을 사용하십시오.** 다른 종류의 배터리를 사용하면 상해를 입거나 화재를 초래할 수 있습니다.

▶ **배터리를 사용하지 않을 때는, 각 극 사이에 브리징 상태가 생길 수 있으므로 페이퍼 클립, 동전, 열쇠, 못, 나사 등 유사한 금속성 물체와 멀리하여 보관하십시오.** 배터리 극 사이에 쇼트가 일어나 화상을 입거나 화재를 야기할 수 있습니다.

▶ **배터리를 잘못 사용하면 누수가 생길 수 있습니다.** 누수가 생긴 배터리에 닿지 않도록 하십시오. 피부에 접하게 되었을 경우 즉시 물로 씻으십시오. 유체가 눈에 닿았을 경우 바로 의사와 상담하십시오. 배터리에서 나오는 유체는 피부에 자극을 주거나 화상을 입힐 수 있습니다.

서비스

▶ **전동공구 수리는 반드시 전문 인력에게 맡기고, 수리 정비 시 보쉬 순정 부품만을 사용하십시오.** 그렇게 함으로써 기기의 안전성을 오래 유지할 수 있습니다.

직소용 안전 수칙

▶ **작업할 때 톱날로 보이지 않는 전선에 닿을 위험이 있으면 전동공구의 절연된 손잡이 면을 잡으십시오.** 톱날이 전류가 흐르는 전선에 접하게 되면 기기의 금속 부위에 전기가 통해 감전될 위험이 있습니다.

▶ **절단 부위에 손을 가까이 대지 마십시오.** 작업물의 아래쪽을 잡지 마십시오. 날과 접하게 되면 상해를 입을 수 있습니다.

▶ **전동공구를 켜 상태에서만 작업물에 서서히 접근하십시오.** 그렇지 않으면 톱날이 작업물에 걸리면서 반동이 생길 위험이 있습니다.

▶ **절단작업을 할 때 밀판 9가 완전히 작업물에 놓여 있는지 확인하십시오.** 톱날이 걸려 있으면 부러지거나 반동이 생길 수 있습니다.

▶ **작업을 마치고 나서 전동공구의 스위치를 끄고 기기가 완전히 정지된 후에 절단면에서 톱날을 빼십시오.** 이렇게 하면 반동이 생기는 것을 방지할 수 있으며 전동공구를 안전하게 내려 놓을 수 있습니다.

▶ **반드시 손상되지 않은 하자 없는 톱날만을 사용하십시오.** 휘거나 날카롭지 않은 톱날이 부러져 절단에 지장을 주거나 반동을 유발할 수 있습니다.

▶ **스위치를 끄고 나서 톱날을 옆에서 눌러 정지해서는 안됩니다.** 이로 인해 톱날이 손상되거나 부러질 수 있으며 혹은 반동을 유발할 수 있습니다.

▶ **보이지 않는 부위에 에너지 배선 및 배관여부를 확인하려면 적당한 탐지기를 사용하거나 담당 에너지 공급회사에 문의하십시오.** 전선에 접촉하게 되면 화재나 전기 충격을 유발할 수 있습니다. 가스관을 손상시키면 폭발 위험이 있으며 수도관을 파손하게 되면 재산 피해를 야기할 수 있습니다.

▶ **작업물을 잘 고정하십시오.** 고정장치나 기계 바이스에 끼워서 작업하면 손으로 잡는 것보다 더 안전합니다.

▶ **전동공구를 내려놓기 전에 기기가 완전히 멈추는지를 확인하십시오.** 벨트가 걸려 전동공구에 대한 통제가 어려워질 수 있습니다.

▶ **배터리를 분해하지 마십시오.** 단락이 발생할 위험이 있습니다.



배터리를 태양 광선 등 고열에 장시간 노출되지 않도록 하고 불과 물, 수분이 있는 곳에 두지 마십시오. 폭발할 위험이 있습니다.

▶ **배터리가 손상되었거나 잘못 사용될 경우 증기가 발생할 수 있습니다.** 작업장을 환기시키고, 필요한 경우 의사와 상담하십시오. 증기로 인해 호흡기가 자극될 수 있습니다.

▶ **배터리를 보쉬 전동공구와 함께 사용해야 합니다.** 그렇게 해야만 배터리를 위험한 과부하로부터 보호할 수 있습니다.

▶ **전동공구의 타입 표시판에 나와있는 전압에 해당하는 보쉬 순정 배터리만을 사용하십시오.** 모조품이나 재생 복원 배터리 혹은 타사의 배터리를 사용하면 폭발성이 있는 배터리로 인해 상해를 입을 수 있으며 물적 손해를 볼 수 있습니다.

제품 및 성능 소개



모든 안전수칙과 지시 사항을 상세히 읽고 지켜야 합니다. 다음의 안전수칙과 지시 사항을 준수하지 않으면 화재 위험이 있으며 감전 혹은 중상을 입을 수 있습니다.

규정에 따른 사용

본 전동공구는 목재 플라스틱 금속 세라믹판 그리고 고무 자재를 단단한 작업대 위에 고정시킨 상태에서 절단선을 긋는 작업이나 절단작업을 하는데 사용해야 합니다. 최대 45° 도 모서리 각도 절단을 포함하여 직선 및 곡선형 절단에 적합합니다. 톱날 선택에 있어 권장 자료를 참고하십시오.

전동공구의 라이트는 직접 공구 작업 범위를 조명하는데에 최적화되어 있으며, 가장 공간 조명에는 적합하지 않습니다.

제품의 주요 명칭

제품의 주요 명칭에 표기되어 있는 번호는 기기 그림이 나와있는 면을 참고하십시오 .

- 1 배터리
- 2 배터리 해제 버튼
- 3 "PowerLight" 램프 버튼
- 4 스트로크 수 선택 스위치
- 5 배터리 충전 상태 표시기
- 6 온도 제어 / 과부하 방지 표시기
- 7 전원 스위치
- 8 오비탈 작동 조절 레버
- 9 밀판
- 10 가이드 롤러
- 11 스트로크 로드
- 12 플라스틱 슬라이드 슈
- 13 평형 가이드용 리드
- 14 톱날 *
- 15 "PowerLight" 램프
- 16 흡입 후드
- 17 손잡이 (절연된 손잡이 부위)
- 18 톱날 해제용 SDS 레버
- 19 안전핀
- 20 흡입 연결 부위
- 21 흡입 호스 *
- 22 작업 표면 보호대
- 23 노즈 플라스틱 슬라이드 슈
- 24 나사
- 25 마이터 각도용 눈금
- 26 평형 가이드 잠금 나사 *
- 27 원형 절단기가 있는 평형 가이드 *
- 28 원형 절단기의 중심 표시기 *
- 29 육각 키

*도면이나 설명서에 나와있는 액세서리는 표준 공급부품에 속하지 않습니다. 전체 액세서리는 저희 액세서리 프로그램을 참고하십시오 .

제품 사양

충전 직소	GST 10,8 V-Li	
제품 번호	3601EA10..	
정격 전압	V=	10.8
무부하 시 스트로크 수 n ₀	min ⁻¹	1500-2800
스트로크	mm	18
최대 절단 깊이		
- 목재	mm	70
- 알루미늄	mm	3
- 철재 (비합금강)	mm	3
절단 각도 (좌 / 우) 최대	°	45
EPTA 공정 01:2014 에 따른 중량	kg	1.5 - 1.7*

* 사용하는 배터리에 따라 상이

조립

▶ 전동공구에 각종 작업 (보수 정비 및 액세서리 교환 등) 을 하거나 전동공구를 운반하거나 보관할 경우 배터리를 전동공구에서 빼십시오 . 실수로 전원 스위치가 작동하게 되면 상해를 입을 위험이 있습니다 .

배터리 충전하기

▶ 액세서리 목록에 기재되어 있는 충전기만을 사용하십시오 . 이 충전기만이 귀하의 전동공구에 사용된 리튬이온 배터리에 맞게 되어 있습니다 .

참고 : 배터리는 일부 충전되어 공급됩니다 . 배터리의 성능을 완전하게 보장하기 위해서는 처음 사용하기 전에 배터리를 완전히 충전기에 충전하십시오 .

리튬이온 배터리는 항상 충전할 수 있으며 , 이로 인해 수명이 단축되지 않습니다 . 충전을 하다 중간에 중지해도 배터리가 손상되지 않습니다 .

리튬이온 배터리는 "전자 셀 보호 (ECP)" 기능이 있어 과도한 방전이 되지 않습니다 . 배터리가 방전되면 안전 스위치가 작동하여 전동공구가 꺼지고 비트가 더 이상 움직이지 않습니다 .

배터리에는 NTC 온도 모니터가 장치되어 있어 섭씨 0°C에서 45°C 사이의 온도 범위에서만 충전이 가능합니다 . 이로 인해 배터리의 수명이 연장됩니다 .

처리에 관련된 지시 사항을 준수하십시오 .

배터리 충전 상태 표시기

배터리 충전상태 표시기 5 에 있는 세 개의 녹색 LED 는 배터리 1 의 충전상태를 나타냅니다 . 충전상태 표시기는 작동이 시작된 뒤 5 초 동안만 불이 들어옵니다 .

LED	용량
연속등 3 x 녹색	≥2/3
연속등 2 x 녹색	≥1/3
연속등 1 x 녹색	<1/3
점멸등 1 x 녹색	예비
점멸등 3 x 녹색	방전

전원을 켜는데도 LED 가 켜지지 않으면 , 배터리에 문제가 있는 것이므로 교체해야 합니다 .

톱날 끼우기 / 교환하기

▶ 톱날을 끼울 때 보호 장갑을 착용하십시오 . 톱날에 닿게 되면 상해를 입을 수 있습니다 .

톱날 선택하기

추천하는 톱날 목록은 이 사용 설명서 후면에 나와 있습니다 . T 생크가 있는 톱날만을 사용하십시오 . 톱날은 작업하려는 절단 깊이보다 필요 이상으로 길어서는 안 됩니다 .

폭이 좁은 곡선 작업을 하려면 가는 톱날을 사용하십시오 .

26 | 한국어

톱날 끼우기 (그림 A 참조)

▶ **톱날을 장착하기 전에 섹크를 깨끗이 닦으십시오.** 톱날의 섹크가 깨끗하지 않으면 안전하게 고정되지 않을 수 있습니다.

톱날 14 를 스트로크 로드 11 안으로 끼워 걸리는 소리가 날 때까지 밀어 넣습니다. SDS 레버 18 이 자동으로 찰칵하고 뒤로 움직이며, 톱날이 잠깁니다. 이때 레버 18 을 손으로 뒤쪽으로 누르지 마십시오. 누르면 전동공구에 손상이 생길 수 있습니다.

톱날을 끼울 때 톱날 등면이 가이드 롤러 10 의 홈에 놓여 있는지 확인하십시오.

▶ **톱날이 제대로 끼워졌는지 확인해 보십시오.** 느슨하게 걸린 톱날은 빠질 수 있으며 이로 인해 작업자가 상해를 입을 수 있습니다.

톱날 빼기 (그림 B 참조)

▶ **톱날을 뺄 때 빠지는 톱날로 인해 사람이나 동물이 다치지 않도록 하여 전동공구를 잡으십시오.**

SDS 레버 18 을 안전핀 19 방향으로 앞으로 끝까지 돌립니다. 그렇게 하면 톱날이 풀리며 빠져 나옵니다.

분진 및 톱밥 추출장치

▶ **납 성분을 포함한 페인트나 몇몇 나무 종류, 또는 광물 성분 그리고 철과 같은 재료의 분진은 건강을 해칠 수 있습니다.** 이 분진을 만지거나 호흡할 경우, 사용자나 주변 사람들은 알레르기 반응이나 호흡기 장애를 일으킬 수 있습니다.

떡갈나무나 너도밤나무와 같은 특정한 분진은 암을 유발시키며, 특히 목재 처리용으로 사용되는 부가 원료 (크로마트, 목재 보호제) 와 혼합되면 암을 유발시키게 됩니다. 석면 성분을 포함한 재료는 오직 전문가가 작업을 해야 합니다.

- 가능하면 작업물 소재에 적당한 분진 추출장치를 사용하십시오.
- 작업장의 통풍이 잘 되도록 하십시오.
- 필터등급 P2 가 장착된 호흡 마스크를 사용하십시오.

작업용 재료에 관해 국가가 지정한 규정을 고려 하십시오.

▶ **작업장에 분진이 쌓이지 않도록 하십시오.** 분진이 쉽게 발화할 수 있습니다.

분진 추출 장치 연결하기 (그림 C-E 참조)

흡입 연결 부위 20 을 밀판 9 의 뒷부분 구멍에 끼우십시오.

흡입 호스 21 (별매 액세서리) 을 흡입 연결 부위 20 에 끼웁니다. 흡입 호스 21 을 진공 청소기 (별매 액세서리) 에 연결하십시오. 연결이 가능한 진공 청소기 목록이 이 사용 설명서 후면에 나와 있습니다.

최적의 분진 분출을 위해서 가능하면 작업 표면 보호대 22 를 사용하십시오.

진공 청소기는 작업하는 소재에 적당한 것이어야 합니다.

특히 건강에 유해한 발암성 혹은 건조한 분진을 처리해야 할 경우에는 특수한 청소기를 사용해야 합니다.

흡입 후드 16 을 접촉 방지용 보호대 19 에 끼우십시오.

작업 표면 보호대 (그림 E 참조)

작업 표면 보호대 22 는 목재를 톱질할 때 표면이 손상되는 것을 방지해줍니다. 작업 표면 보호대는 특정 유형의 톱날과 절단 각도가 0° 일 때만 사용할 수 있습니다.

작업 표면 보호대 22 를 앞쪽에서부터 밀판 9 안으로 밀어 끼우십시오.

작업 표면 보호대 22 는 플라스틱 슬라이드 슈 12 가 부착된 경우에도 삽입할 수 있습니다.

슬라이딩 슈 (그림 F 참조)

손상되기 쉬운 표면을 작업할 경우에는 플라스틱 슬라이드 슈 12 를 사용하십시오.

플라스틱 슬라이드 슈 12 를 삽입할 때는 발판 9 의 앞쪽 모서리를 플라스틱 슬라이드 슈의 노크 23 아래에 끼워 넣고, 이어서 전동공구를 플라스틱 슬라이드 슈 12 위에 놓고 누릅니다.

플라스틱 슬라이드 슈 12 를 사용할 때, 작업 표면 보호대 22 는 발판 9 가 아닌, 슬라이드 슈 안으로 끼워 넣습니다.

작동**작동 모드**

▶ **전동공구에 각종 작업 (보수 정비 및 액세서리 교환 등) 을 하거나 전동공구를 운반하거나 보관할 경우 배터리를 전동공구에서 빼십시오.** 실수로 전원 스위치가 작동하게 되면 상해를 입을 위험이 있습니다.

오비탈 작동 조절하기

오비탈 작동 조절이 가능하여 작업하려는 소재에 적당한 절단 속도, 절단 성능 그리고 절단 모양을 선택할 수 있습니다.

조절 레버 8 로 기기가 작동하는 중에도 오비탈 작동을 변경할 수 있습니다.

오비탈 작동 꺼짐 (0 단계): 오비탈 작동 정지

오비탈 작동 I 단계: 약한 오비탈 작동

오비탈 작동 II 단계: 강한 오비탈 작동

각 작업에 따른 최적의 오비탈 단계 설정은 실제로 시험해 보아 결정할 수 있습니다:

- 더 좁고 깨끗한 절단 모서리 작업일수록 오비탈 작동을 가능한 낮은 단계로 하거나 작동을 중지해야 합니다.
- 금속 박판 등 얇은 소재에 작업할 때는 오비탈 작동을 중지하십시오.
- 강철 등 경질의 소재에 작업할 때는 오비탈 작동을 낮게 하십시오.
- 연질 소재나 목재에 결 방향으로 작업할 때는 오비탈 작동을 최대도 하십시오.

마이터 각도 설정하기 (그림 J 참조)

밀판 **9** 는 마이터 각도 45° 까지 좌우로 움직일 수 있습니다.

흡입 연결부위 **20** 을 빼십시오.

마이터 각도가 0° 일 경우, 해당 홈에는 핀이 있습니다.

나사 **24** 를 육각렌치 **29** 로 풀되, **9** 를 배터리 **1** 방향으로 밀 수 있을 때까지 푸십시오. 핀이 가이드 홈 안으로 밀려 들어가게 하십시오.

마이터 각도를 조절하려면 발판 **9** 를 눈금 **25** 에 따라 원하는 위치까지 움직여주십시오. 각도계이치를 사용하여 각각의 각도는 45° 까지 조절할 수 있습니다.

나사 **24** 를 다시 세게 조입니다.

흡입 연결부위 **20** 과 작업 표면 보호대 **22** 는 마이터 절단작업 시에 사용할 수 없습니다.

기계 시동**배터리 탈착하기 (그림 K 참조)**

배터리 **1** 을 빼려면 해제 버튼 **2** 를 누른 상태로 배터리를 전동공구 아래쪽으로 잡아 당깁니다. 이때 무리하게 힘을 가하지 마십시오.

전원 스위치 작동

전동공구를 **켜려면** 전원 스위치 **7** 을 앞쪽으로 밀면 됩니다.

전동공구의 **전원을 끄려면** 전원 스위치 **7** 을 “0” 위치로 밀어 주십시오.

스트로크 수 조절하기

스트로크 수 설정용 삼철 **4** 로 스트로크 수를 설정하고 작동 중에도 변경이 가능합니다.

작업 소재와 작업 조건에 따라 필요로 하는 스트로크 수가 달라지므로 실제 시험을 통해 결정할 수 있습니다.

톱날을 작업물에 대거나 플라스틱과 알루미늄에 톱질 작업을 할 때 스트로크 수를 감소하는 것이 좋습니다.

저속으로 장시간 작업하면 전동공구가 매우 뜨거워질 수 있습니다. 이 경우 톱날을 빼고 전동공구를 약 3 분간 최고 스트로크 수로 공전시켜 식히십시오.

온도에 따른 과부하 방지 기능

규정에 맞게 사용할 때 전동공구의 과부하를 방지할 수 있습니다. 부하가 심하거나 허용된 배터리 온도 범위를 벗어날 경우, 회전속도가 감소되거나 전동공구가 꺼집니다. 회전속도가 줄어든 경우에는 허용된 배터리 온도에 이르거나 부하가 줄어든 후에야 전동공구가 다시 정상적인 회전속도로 작동하게 됩니다. 자동으로 꺼질 경우, 전동공구의 전원을 끄고 배터리를 식힌 후에 다시 전원을 켜야 합니다.

온도 제어 / 과부하 방지 표시기

적색 LED 표시기 **6** 은 배터리가 과열되거나 모터가 과부하 상태로 되는 것을 방지하는데 도움이 됩니다.

LED 표시기 **6** 이 **계속 적색으로 켜지면**, 배터리의 온도가 너무 높기 때문이며 이때 전동공구가 자동으로 꺼집니다.

- 그리고 나서 전동공구의 스위치를 끄십시오.
- 배터리가 완전히 식은 후에 다시 작업을 계속하십시오.

LED 표시기 **6** 이 **적색으로 깜박이면**, 전동공구가 걸렸기 때문이며 이때 자동으로 꺼집니다.

전동공구를 작업물에서 빼십시오.

걸림 상태가 풀림과 동시에 전동공구가 설정된 속도로 계속 작동합니다.

방전 보호 기능

리튬이온 배터리는 “전자 셀 보호 (ECP)” 기능이 있어 과도한 방전이 되지 않습니다. 배터리가 방전되면 안전 스위치가 작동하여 전동공구가 꺼지고 비트가 더 이상 움직이지 않습니다.

LED 작업 램프 스위치 켜기

스위치 **3** 으로 LED 작업 램프를 켤 수 있습니다. 작업 램프는 기본적으로 꺼져 있습니다.

재작동 보호장치

재작동 보호장치는 전원이 차단되었다가 다시 들어온 경우 전동공구가 임의로 다시 작동하는 것을 방지합니다. 재작동 보호장치가 작동하자마자, 온도 제어 / 과부하 방지 표시기 **6** 에 계속 불이 들어옵니다.

재시동을 하려면 전원 스위치를 껐다가 전동공구의 스위치를 다시 켜면 됩니다.

주의: 스위치를 껐다가 급격하게 다시 켜면 재시동 보호장치가 작동하여, 전원 스위치 **7** 을 켜는데도 전동공구가 작동하지 않을 수 있습니다. 이 경우 전원 스위치 **7** 을 껐다가 전동공구를 다시 켜십시오.

사용방법

- ▶ 크기가 작거나 얇은 작업물에 작업할 경우 항상 안정적으로 지지해 줄 수 있는 곳에서 사용해야 합니다.

안전핀

하우징에 부착된 안전핀 **19** 는 작업 도중에 실수로 톱날에 접하게 되는 것을 방지하므로 빼서는 안됩니다.

흡입 후드 **16** 위에 바깥쪽으로 굽은 모서리가 있어서 손이 톱질 부위로 미끄러져 들어가는 위험을 방지해 줍니다.

28 | 한국어

삽입 절단작업 (플런지 컷) (그림 G 참조)

▶ **삽입 톱질작업은 목재나 플라스틱 보드와 같이 연질의 소재에만 가능합니다!**

삽입 톱질작업을 할 경우 짧은 톱날만을 사용하십시오. 삽입 톱질작업은 마이터 각도가 0° 인 경우에만 가능합니다.

톱날 14 가 작업물에 닿지 않도록 하여 전동공구 밀판 9 의 아래 모서리를 작업물에 올려 놓고 스위치를 켭니다. 스트로크 수 제어 기능이 있는 전동공구의 경우 최대 스트로크 수를 선택하십시오. 전동공구를 작업물에 세게 누르며 톱날이 천천히 작업물 안으로 들어가게 하십시오.

밀판 9 면이 완전히 작업물에 놓이면 원하는 절단선에 따라 계속 톱질작업을 하십시오.

원형 절단기가 있는 평형 가이드 (별매 액세서리)

평형 절단 (그림 H 참조): 잠금 나사 26 을 풀고 평형 가이드의 눈금자를 밀판에 있는 리드 13 을 통해 맞춥니다. 원하는 절단 너비가 밀판의 안쪽 모서리 눈금자에 나타나도록 설정하십시오. 잠금 나사 26 을 다시 돌려 조입니다.

원형 절단 (그림 I 참조): 잠금 나사 26 을 평형 가이드의 다른 쪽에 놓습니다. 평형 가이드의 눈금자를 밀판에 있는 리드 13 을 통해 맞춥니다. 작업물에 톱질하여 오려 내려는 부위 중심에 구멍을 뚫니다. 중심 표시기 28 을 평형 가이드 안쪽의 구멍을 통해 뚫어 놓은 구멍에 맞춥니다. 반경이 밀판의 안쪽 모서리 눈금자에 나타나도록 설정하십시오. 잠금 나사 26 을 다시 돌려 조입니다.

냉각제 / 윤활제

금속에 톱질작업을 할 때 작업물이 과열되기 때문에 절단선을 따라 냉각제나 윤활제를 발라 주어야 합니다.

보수 정비 및 서비스

보수 정비 및 유지

▶ **전동공구에 각종 작업 (보수 정비 및 액세서리 교환 등)을 하거나 전동공구를 운반하거나 보관할 경우 배터리를 전동공구에서 빼십시오.** 실수로 전원 스위치가 작동하게 되면 상해를 입을 위험이 있습니다.

▶ **안전하고 올바른 작동을 위하여 전동공구와 전동공구의 통풍구를 항상 깨끗이 하십시오.**

톱날 출더를 정기적으로 닦아 주십시오. 이 경우 톱날을 전동공구에서 빼내고 전동공구를 평면에 가볍게 두드려 털어 주십시오.

전동공구가 지나치게 오염되어 있으면 기능 장애가 생길 수 있습니다. 그렇기 때문에 분진이 많이 발생하는 소재에 톱질작업을 할 때 아래서부터 또는 머리 위에서 작업하지 마십시오.

가이드 롤러 10 을 주기적으로 오일 한 방울을 발라 주십시오.

가이드 롤러 10 을 정기적으로 마모되지 않았는지 확인하십시오. 마모된 경우, 보쉬 지정 서비스 센터에 맡겨 교환해 주어야 합니다.

플라스틱 슬라이드 슈 12 가 마모되면 교체해야 합니다.

보쉬 AS 및 고객 상담

보쉬는 귀하의 제품 및 수리에 관한 문의를 받고 있습니다.

AS 센터 정보 및 제품에 대한 고객 상담은 하기 고객 콜센터 및 이메일 상담을 이용해주시기 바랍니다.

고객 콜센터 : 080-955-0909

이메일 상담 :

Bosch-pt.hotline@kr.bosch.com

문의 사항이 있거나 스페어 부품을 주문할 때 반드시 전동공구의 타입 표시판에 적힌 10 자리의 제품 번호를 알려 주십시오.

한국로버트보쉬 (주)

경기도 용인시 기흥구 보정동 298 번지

www.bosch-pt.co.kr

운반

포함되어 있는 리튬이온 배터리는 위험물 관련 규정을 따라야 합니다. 사용자가 별도의 요구사항 없이 배터리를 직접 도로 상에서 운반할 수 있습니다.

제 3 자를 통해 운반할 경우 (항공 운송이나 운송 회사 등) 포장과 표기에 관한 특별한 요구 사항을 준수해야 합니다. 이 경우 발송 준비를 위해 위험물 전문가와 상담해야 합니다.

표면이 손상되지 않은 배터리만을 사용하십시오. 배터리의 접촉 단자면을 덮어 봉인 상태로 내부에서 움직이지 않도록 배터리를 포장하십시오.

또한 이와 관련한 국내 규정을 준수하십시오.

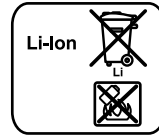
처리



전동공구, 배터리, 액세서리 및 포장은 친환경적인 방법으로 재활용할 수 있도록 분류하십시오.

전동공구와 충전용 배터리 / 배터리를 가정용 쓰레기로 처리하지 마십시오!

충전용 배터리 / 배터리 :



Li-Ion:
"운반" 내용에 나와 있는 주의 사항을 준수하십시오 (28 페이지).

위 사항은 사전 예고 없이 변경될 수도 있습니다.

ภาษาไทย

กฎระเบียบเพื่อความปลอดภัย

คำเตือนทั่วไปเพื่อความปลอดภัยในการใช้เครื่องมือไฟฟ้า

คำเตือน ต้องอ่านคำเตือนเพื่อความปลอดภัยและคำสั่งทั้งหมด การไม่ปฏิบัติตามคำเตือนและคำสั่งอาจเป็นสาเหตุให้ถูกไฟฟ้าดูด เกิดไฟไหม้ และ/หรือได้รับบาดเจ็บอย่างร้ายแรง

เก็บรักษาคำเตือนและคำสั่งทั้งหมดสำหรับเปิดอ่านในภายหลัง

คำว่า "เครื่องมือไฟฟ้า" ในคำเตือนหมายถึง เครื่องมือไฟฟ้าของท่านที่ทำงานด้วยพลังงานไฟฟ้าที่ต่อจากเต้าเสียบ (มีสายไฟฟ้า) และเครื่องมือไฟฟ้าที่ทำงานด้วยพลังงานไฟฟ้าจากแบตเตอรี่ (ไร้สาย)

ความปลอดภัยในสถานที่ทำงาน

- ▶ รักษาสถานที่ทำงานให้สะอาดและมีไฟส่องสว่างดี สถานที่ที่มีหมอกหรือควันหรือฝุ่นซึ่งอาจเป็นอันตราย
- ▶ อย่าใช้เครื่องมือไฟฟ้าในสภาพแวดล้อมที่เสี่ยงต่อการติดระเบิดได้ เช่น ในที่ที่มีของเหลว แก๊ส หรือฝุ่นที่ติดไฟได้ เมื่อใช้เครื่องมือไฟฟ้าจะเกิดประกายไฟซึ่งอาจจุดฝุ่นหรือไอให้ลุกเป็นไฟได้
- ▶ ขณะใช้เครื่องมือไฟฟ้าทำงาน ต้องกันเด็กและผู้ยืนดูให้ออกห่าง การหันเหความสนใจอาจทำให้ท่านขาดการควบคุมเครื่องได้

ความปลอดภัยเกี่ยวกับไฟฟ้า

- ▶ ปลั๊กของเครื่องมือไฟฟ้าต้องมีขนาดพอดีกับเต้าเสียบ อย่าดัดแปลงหรือแก้ไขตัวปลั๊กอย่างเด็ดขาด อย่าต่อปลั๊กต่อใดๆ เข้ากับเครื่องมือไฟฟ้าที่มีสายดิน ปลั๊กที่ไม่ดัดแปลงและเต้าเสียบที่เข้ากันช่วยลดความเสี่ยงจากการถูกไฟฟ้าดูด
- ▶ หลีกเลี่ยงไม่ให้ร่างกายสัมผัสกับพื้นผิวของสิ่งของที่ต่อสายดินไว้ เช่น ท่อ เครื่องทำความร้อน เตา และตู้เย็น จะเสี่ยงอันตรายจากการถูกไฟฟ้าดูดมากขึ้นหากกระแสไฟฟ้าวิ่งผ่านร่างกายของท่านลงดิน
- ▶ อย่าวางเครื่องมือไฟฟ้าคาบฝืนหรือทิ้งไว้ในที่ชื้นและหากน้ำเข้าในเครื่องมือไฟฟ้า จะเพิ่มความเสี่ยงจากการถูกไฟฟ้าดูด
- ▶ อย่าใช้สายไฟฟ้าอย่างผิดๆ อย่าถือเครื่องมือไฟฟ้าที่สาย อย่าใช้สายแฉวนเครื่อง หรืออย่าดึงสายไฟฟ้าเพื่อถอดปลั๊กออกจากเต้าเสียบ กันสายไฟพาดออกจากความร้อน น้ำมัน ขอบแหลมคม หรือส่วนของเครื่องที่กำลังเคลื่อนไหว สายไฟฟ้าที่ชำรุดหรือพันกันยุ่งเพิ่มความเสี่ยงจากการถูกไฟฟ้าดูด
- ▶ เมื่อใช้เครื่องมือไฟฟ้าทำงานกลางแจ้ง ให้ใช้สายไฟที่ได้รับการรับรองให้ใช้ต่อในที่กลางแจ้งเท่านั้น การใช้สายไฟต่อที่เหมาะสมสำหรับงานกลางแจ้งช่วยลดอันตรายจากการถูกไฟฟ้าดูด

- ▶ หากไม่สามารถหลีกเลี่ยงการใช้เครื่องมือไฟฟ้าทำงานในสถานที่เปียกชื้นได้ ให้ใช้สวิทช์ตัดวงจรเมื่อเกิดการรั่วไหลของไฟฟ้าจากสายดิน การใช้สวิทช์ตัดวงจรเมื่อเกิดการรั่วไหลของไฟฟ้าจากสายดินช่วยลดความเสี่ยงต่อการถูกไฟฟ้าดูด

ความปลอดภัยของบุคคล

- ▶ ท่านต้องอยู่ในสภาพเตรียมพร้อม ระมัดระวังในสิ่งที่กำลังทำอยู่ และมีสติขณะใช้เครื่องมือไฟฟ้าทำงาน อย่าใช้เครื่องมือไฟฟ้าขณะที่ท่านกำลังเหนื่อย หรืออยู่ภายใต้การครอบงำของฤทธิ์ของยาเสพติด แอลกอฮอล์ และยา เมื่อใช้เครื่องมือไฟฟ้าทำงาน ในชื้อนาที่ที่ท่านขาดความเอาใจใส่อาจทำให้บุคคลบาดเจ็บอย่างรุนแรงได้
- ▶ ใช้อุปกรณ์ปกป้องร่างกาย สวมแว่นตาป้องกันเสมอ อุปกรณ์ปกป้อง เช่น หน้ากากกันฝุ่น รองเท้ากันลื่น หมวกแข็ง หรือประคบหูกันเสียงดัง ที่เลือกใช้ตามความเหมาะสมกับสภาพการทำงาน สามารถลดอันตรายต่อบุคคลได้
- ▶ ป้องกันการติดเครื่องโดยไม่ตั้งใจ ต้องดูให้แน่ใจว่าสวิทช์อยู่ในตำแหน่งปิดก่อนเสียบปลั๊กไฟเข้าไปในเต้าเสียบ และ/หรือใส่แท่งแบตเตอรี่ ชูขึ้นหรือถือเครื่องมือ การถือเครื่องโดยใช้นิ้วหัวที่สวิทช์ หรือเสียบปลั๊กไฟขณะที่สวิทช์เปิดอยู่ อาจนำไปสู่อุบัติเหตุที่ร้ายแรงได้
- ▶ เอาเครื่องมือปรับแต่งหรือประแจปากตายออกจากเครื่องมือไฟฟ้าก่อนเปิดสวิทช์ เครื่องมือหรือประแจปากตายที่วางอยู่กับส่วนของเครื่องที่กำลังหมุนจะทำให้บุคคลบาดเจ็บได้
- ▶ หลีกเลี่ยงการดัดงัดที่ผิดปกติ ตั้งท้ายที่มั่นคงและวางน้ำหนักให้สมดุลตลอดเวลา ในลักษณะนี้ท่านสามารถควบคุมเครื่องมือไฟฟ้าในสถานการณ์ที่ไม่คาดคิดได้ดีกว่า
- ▶ ใส่เสื้อผ้าที่เหมาะสม อย่าใส่เสื้อผ้าหลวมหรือสวมเครื่องประดับ เอาหมวก เสื้อผ้า และถุงมือออกจากส่วนของเครื่องที่กำลังหมุน เสื้อผ้าหลวม เครื่องประดับ และผมยาวอาจเข้าไปติดในส่วนของเครื่องที่กำลังหมุนได้
- ▶ หากต้องต่อเครื่องมือไฟฟ้าเข้ากับเครื่องดูดฝุ่นหรือเครื่องเก็บผง ดูให้แน่ใจว่าการเชื่อมต่อและการใช้งานเป็นไปอย่างถูกต้อง การใช้อุปกรณ์ดูดฝุ่นช่วยลดอันตรายที่เกิดจากฝุ่นได้

การใช้และการดูแลรักษาเครื่องมือไฟฟ้า

- ▶ อย่าใช้เครื่องมือไฟฟ้าอย่างหักโหม ใช้เครื่องมือไฟฟ้าที่ถูกต้องตรงตามลักษณะงาน เครื่องมือไฟฟ้าที่ต้องจะทำงานได้ดีกว่าและปลอดภัยกว่าในระดับสมรรถภาพที่ออกแบบไว้
- ▶ อย่าใช้เครื่องมือไฟฟ้าที่สวิทช์เปิดปิดเสีย เครื่องมือไฟฟ้าที่ไม่สามารถควบคุมการเปิดปิดด้วยสวิทช์ได้ เป็นเครื่องมือไฟฟ้าที่ไม่ปลอดภัยและต้องส่งซ่อมแซม
- ▶ ก่อนปรับแต่งเครื่อง เปลี่ยนอุปกรณ์ประกอบหรือเก็บเครื่องเข้าที่ ต้องถอดปลั๊กไฟออกจากเต้าเสียบและ/หรือถอดแท่งแบตเตอรี่ออกจากเครื่องมือไฟฟ้า มาตรการป้องกันเพื่อความปลอดภัยนี้ช่วยลดความเสี่ยงจากการติดเครื่องโดยไม่ตั้งใจ

30 | ภาษาไทย

- ▶ เมื่อเลิกใช้งานเครื่องมือไฟฟ้า ให้เก็บเครื่องมือไว้ในที่ที่เด็กหยิบไม่ถึง และไมอนุญาตให้บุคคลที่ไม่คุ้นเคยกับเครื่องมือบุคคลที่ไม่ได้อ่านคำแนะนำนี้ใช้เครื่องมือไฟฟ้าเป็นของอันตรายหากตกอยู่ในมือของผู้ใช้ที่ไม่ได้รับการฝึกฝน
- ▶ เอาใจใส่ดูแลรักษาเครื่อง ตรวจสอบหาส่วนที่เคลื่อนไหวได้ของเครื่องว่าวางอยู่ตรงแนวหรือติดขัดหรือไม่ ตรวจสอบการแตกหักของชิ้นส่วนและสภาพอื่นใดที่อาจมีผลต่อการทำงานของเครื่องมือไฟฟ้า หากชำรุดต้องส่งเครื่องมือไฟฟ้าซ่อมแซมก่อนใช้งาน อุบัติเหตุหลายอย่างเกิดขึ้นเนื่องจากดูแลรักษาเครื่องไม่ดีพอ
- ▶ รักษาเครื่องมือตัดให้คมและสะอาด หากบำรุงรักษาเครื่องมือที่มีขอบตัดแหลมคมอย่างถูกต้อง จะสามารถตัดได้ดีโดยไม่ติดขัดและควบคุมได้ง่ายกว่า
- ▶ ใช้เครื่องมือไฟฟ้า อุปกรณ์ประกอบ เครื่องมือ และอุปกรณ์อื่นๆ ให้ตรงตามคำแนะนำนี้ และในลักษณะตามที่เครื่องมือไฟฟ้าประเภทนั้นๆ กำหนดไว้ โดยต้องคำนึงถึงเงื่อนไขการทำงานและงานที่จะทำด้วย การใช้เครื่องมือไฟฟ้าทำงานที่ต่างไปจากวัตถุประสงค์การใช้งานของเครื่อง อาจนำไปสู่สถานการณ์ที่เป็นอันตรายได้

การใช้และการดูแลรักษาเครื่องที่ใช้แบตเตอรี่

- ▶ ชาร์จแบตเตอรี่ด้วยเครื่องชาร์จที่บริษัทผู้ผลิตระบุไว้เท่านั้น เครื่องชาร์จที่เหมาะสมสำหรับชาร์จแบตเตอรี่ประเภทหนึ่ง หากนำไปชาร์จแบตเตอรี่ประเภทอื่น อาจเกิดไฟไหม้ได้
- ▶ ใช้แบตเตอรี่เฉพาะประเภทที่เครื่องมือไฟฟ้ากำหนดให้ใช้ได้ การใช้แบตเตอรี่ประเภทอื่นเสี่ยงต่อการเกิดไฟไหม้หรือบาดเจ็บ
- ▶ เมื่อไม่ใช้แบตเตอรี่ ให้เก็บแบตเตอรี่ไว้ห่างไกลวัตถุอื่นๆ เช่น ฟิล์มหมึกกระดาษ เหยี่ยว ภูเขา เตปูลู สกรู หรือโลหะวัตถุขนาดเล็กอื่นๆ ที่สามารถต่อขั้วหนึ่งไปยังอีกขั้วหนึ่งได้ การลัดวงจรของขั้วแบตเตอรี่อาจทำให้เกิดการไหม้หรือไฟลุกได้
- ▶ เมื่อใช้แบตเตอรี่ผิดวิธี อาจมีของเหลวไหลออกจากแบตเตอรี่ได้ ให้หลีกเลี่ยงการสัมผัสของเหลว หากสัมผัสโดยบังเอิญ ให้ใช้น้ำล้าง หากของเหลวเข้าตา ให้ขอความช่วยเหลือจากแพทย์ด้วย ของเหลวที่ไหลออกมาจากแบตเตอรี่อาจทำให้เกิดอาการคันหรือแสบผิวหนังได้

การบริการ

- ▶ ส่งเครื่องมือไฟฟ้าให้ช่างผู้เชี่ยวชาญตรวจสอบและไขอะไหล่เปลี่ยนของแท้เท่านั้น ในลักษณะนี้ท่านจะแน่ใจได้ว่าเครื่องมือไฟฟ้าอยู่ในสภาพที่ปลอดภัย

คำเตือนเพื่อความปลอดภัยสำหรับเลื่อยถูลูก

- ▶ เมื่อทำงานในบริเวณที่อุปกรณ์ตัดอาจสัมผัสกับสายไฟฟ้าที่ซ่อนอยู่ ต้องจับเครื่องมือไฟฟ้าตรงตามจับที่หุ้มฉนวน หากอุปกรณ์ตัดสัมผัสกับสายที่มีกระแสไฟฟ้าไหลผ่านจะทำให้ส่วนที่เป็นโลหะของเครื่องมือไฟฟ้าเกิดมีกระแสไฟฟ้าด้วย และส่งผลให้ผู้ใช้อุปกรณ์ถูกไฟฟ้าดูดได้
- ▶ เอามือออกจากบริเวณแนวเลื่อย อย่าเอื้อมมือเข้าทำงาน การสัมผัสกับใบเลื่อยจะทำให้บาดเจ็บได้

- ▶ จับเครื่องเข้าหาชิ้นงานเมื่อเครื่องเปิดทำงานอยู่เท่านั้น มิฉะนั้นอาจได้รับอันตรายจากการตีกลับหากเครื่องมือติดขัดอยู่ในชิ้นงาน
- ▶ ขณะเลื่อย ดูให้แน่ใจว่าได้วางแผ่นฐาน 9 ไรบนชิ้นงานอย่างมั่นคงแล้ว ใบเลื่อยที่ติดขัดอาจแตกหักหรือทำให้เกิดการตีกลับได้
- ▶ เมื่อเสร็จงานตัด ให้ปิดสวิทช์เครื่อง และดึงใบเลื่อยออกจากร่องตัดเมื่อใบเลื่อยหยุดนิ่งอยู่กับที่แล้วเท่านั้น ในลักษณะนี้ท่านสามารถหลีกเลี่ยงการตีกลับ และวางเครื่องลงได้อย่างปลอดภัย
- ▶ ใช้เฉพาะใบเลื่อยที่ไม่ชำรุดและไม่มีตำหนิเท่านั้น ใบเลื่อยที่ทื่อหรือบดองสามารถแตกหัก ส่งผลเชิงลบต่อการตัด หรือทำให้เกิดการตีกลับได้
- ▶ เมื่อปิดสวิทช์เครื่องแล้ว อย่าเบรคใบเลื่อยให้หยุดวิ่งโดยการกดลงด้านข้าง ใบเลื่อยอาจชำรุด แตกหัก หรือทำให้เกิดการตีกลับได้
- ▶ ใช้เครื่องตรวจที่เหมาะสมตรวจหาท่อและสายไฟฟ้าที่อาจซ่อนอยู่ในบริเวณที่จะทำงาน หรือขอความช่วยเหลือจากบริษัทช่างท่อและสายไฟฟ้าในท้องถิ่น การสัมผัสกับสาย ไฟฟ้าอาจทำให้เกิดไฟไหม้หรือถูกไฟฟ้าช็อกหรือดูดได้ การทำให้ท่อแก๊สเสียหายอาจเกิดระเบิดได้ การเจาะเข้าในท่อน้ำ ทำให้ทรัพย์สินเสียหาย
- ▶ ยึดชิ้นงานให้แน่น การยึดชิ้นงานด้วยเครื่องมือหนีบหรือแท่นจับจะมั่นคงกว่าการยึดด้วยมือ
- ▶ ก่อนวางเครื่องลงบนพื้นทุกครั้งต้องรอให้เครื่องมือหยุดนิ่งอยู่กับที่เสมอ มิฉะนั้นเครื่องมือที่ใส่อยู่อาจติดขัดและนำไปสู่การสูญเสียการควบคุมเครื่องมือไฟฟ้า
- ▶ อย่าเปิดแบตเตอรี่ด้วยตนเอง อันตรายจากการลัดวงจร



ปกป้องแบตเตอรี่จากความร้อน ต.ย. เช่น จากแสงแดดจ้าที่ส่องอย่างต่อเนื่อง ไฟ น้ำ และความชื้น อันตรายจากการระเบิด

- ▶ ในกรณีที่แบตเตอรี่ชำรุดจะใช้แบตเตอรี่อย่างไม่ถูกต้อง อาจมีไอระเหยออกมา ให้สูดอากาศบริสุทธิ์ และหาแพทย์ในกรณีเจ็บปวด ไอระเหยอาจทำให้ระบบหายใจระคายเคือง
- ▶ ใช้แบตเตอรี่เฉพาะกับเครื่องมือไฟฟ้า มอเตอร์ ของท่านเท่านั้น การกระทำเช่นนี้เท่านั้นที่จะช่วยปกป้องแบตเตอรี่จากการถูกใช้งานเกินพิกัดซึ่งเป็นอันตราย
- ▶ ใช้เฉพาะแบตเตอรี่ของแท้ของ มอเตอร์ ที่มีแรงดันไฟฟ้าที่ระบุไว้บนแผ่นป้ายรุ่นของเครื่องมือไฟฟ้าของท่านเท่านั้น หากใช้แบตเตอรี่ประเภทอื่น ต.ย. เช่น แบตเตอรี่ที่ลอกเลียนแบบ ซ่อมปรับปรุง หรือแบตเตอรี่ยี่ห้ออื่น จะเกิดอันตรายทำให้ร่างกายบาดเจ็บและทรัพย์สินเสียหายจากการระเบิดของแบตเตอรี่ได้

รายละเอียดผลิตภัณฑ์และข้อมูลจำเพาะ



ต้องอ่านคำเตือนเพื่อความปลอดภัยและคำสั่งทั้งหมด การไม่ปฏิบัติตามคำเตือนและคำสั่งอาจเป็นสาเหตุให้ถูกไฟฟ้าดูด เกิดไฟไหม้ และ/หรือได้รับบาดเจ็บอย่างร้ายแรง

ประโยชน์การใช้งานของเครื่อง

เครื่องนี้ใช้สำหรับตัดไม้ พลาสติก โลหะ แผ่นเซรามิก และยาง เพื่อแยกส่วนออกจากกันและเพื่อตัดออก โดยต้องกดเครื่องอย่างมั่นคงลงบนชิ้นงาน เครื่องนี้เหมาะสำหรับตัดแนวตรงและตัดรูปโค้งที่มีมุมมากได้ถึง 45 องศา อ่านและปฏิบัติตามข้อแนะนำเกี่ยวกับใบเลื่อย

ไฟส่องของเครื่องมือไฟฟ้านี้มีไว้เพื่อส่องสว่างพื้นที่ทำงานของเครื่องมือไฟฟ้าโดยตรง และไม่เหมาะสำหรับใช้เพิ่มความสว่างภายในห้องในครัวเรือน

ส่วนประกอบผลิตภัณฑ์

ลำดับเลขของส่วนประกอบผลิตภัณฑ์อ้างอิงถึงส่วนประกอบของเครื่องที่แสดงในหน้าภาพประกอบ

- 1 แบตเตอรี่แพ็ค
- 2 แป้นปลดล็อกแบตเตอรี่
- 3 ปุ่มสำหรับหลอดไฟ "PowerLight"
- 4 ปุ่มเลือกอัตรารอบ-ซีก-เร็ว ล่วงหน้า
- 5 ไฟแสดงสถานะการชาร์จแบตเตอรี่
- 6 ไฟแสดงการควบคุมอุณหภูมิ/การป้องกันการใช้งานเกินกำลัง
- 7 สวิตช์เปิด-ปิด
- 8 คันโยกสำหรับปรับการตะ
- 9 แผ่นฐาน
- 10 หัวจับใบเลื่อย
- 11 ก้านขยับซีก
- 12 ปลอกเลื่อนพลาสติก
- 13 ช่องใส่ตัวนำเลื่อยแบบขนาน
- 14 ใบเลื่อย*
- 15 หลอดไฟ "PowerLight"
- 16 ผาครอบการดูดออก
- 17 ด้ามจับ (พื้นผิวจับหุ้มฉนวน)
- 18 ก้านหนีบ SDS สำหรับปลดล็อกใบเลื่อย
- 19 กั้นชน
- 20 ท่อดูดฝุ่น
- 21 ท่อดูดฝุ่น*
- 22 แผ่นป้องกันการฉีกที่ผิววัสดุ
- 23 ส่วนหัวของปลอกเลื่อนพลาสติก
- 24 สกรู
- 25 มาตราวัดมุมมาก
- 26 สกรูล็อกตัวนำเลื่อยแบบขนาน*
- 27 ตัวนำเลื่อยแบบขนานพร้อมตัวนำเลื่อยแบบวงแหวน*
- 28 ตัวหมายศูนย์ของตัวนำเลื่อยแบบวงแหวน*
- 29 ประแจขันหกเหลี่ยม

* อุปกรณ์ประกอบที่แสดงหรือระบุไม่รวมอยู่ในการจัดส่งมาตรฐาน กรุณาดูอุปกรณ์ประกอบทั้งหมดในรายการแสดงอุปกรณ์ประกอบของเรา

ข้อมูลทางเทคนิค

เลือกดู ไร้สาย	GST 10,8 V-Li	
หมายเลขสินค้า	3 601 EA1 0..	
แรงดันไฟฟ้ากำหนด	V=	10,8
ความเร็วรอบเดินตัวเปล่า n_0	รอบ/นาที	1500 - 2800
ระยะช่วงซีก	มม.	18
ความสามารถในการตัด สูงสุด		
- ในไม้	มม.	70
- ในอะลูมิเนียม	มม.	3
- ในเหล็กกล้า (ไม่ผสม)	มม.	3
การตัดมุมเอียง (ซ้าย/ขวา) สูงสุด	°	45
น้ำหนักตามระเบียบการ-EPTA-Procedure 01:2014	กก.	1.5 - 1.7*

* ขึ้นอยู่กับแบตเตอรี่แพ็คที่ใช้

การประกอบ

▶ **ก่อนปรับแต่งเครื่อง (ต.ย. เช่น เมื่อบำรุงรักษา เปลี่ยนเครื่องมือ และอื่นๆ) และขณะขนย้ายและเก็บเครื่องมือ ให้ถอดแบตเตอรี่ออกจากเครื่องมือไฟฟ้า** อันตรายจากการบาดเจ็บหากสวิตช์เปิด-ปิดติดขึ้นอย่างไม่ตั้งใจ

การชาร์จแบตเตอรี่

▶ **ใช้เฉพาะเครื่องชาร์จแบตเตอรี่ตามรายการในหน้าอุปกรณ์ประกอบเท่านั้น** เฉพาะเครื่องชาร์จแบตเตอรี่เหล่านี้เท่านั้นที่เข้าชุดกับแบตเตอรี่ลิเธียม ไอออน ของเครื่องมือไฟฟ้าของท่าน

หมายเหตุ: แบตเตอรี่ที่จัดส่งได้รับการชาร์จไฟไว้บ้างแล้ว เพื่อให้แบตเตอรี่ทำงานได้เต็มประสิทธิภาพ ต้องชาร์จแบตเตอรี่ในเครื่องชาร์จแบตเตอรี่ให้เต็มก่อนใช้งานเครื่องมือไฟฟ้าของท่านเป็นครั้งแรก

แบตเตอรี่ลิเธียม ไอออน สามารถชาร์จได้ตลอดเวลาโดยอายุการใช้งานจะไม่ลดลง การชาร์จหวักระบวนกรชาร์จไม่ทำให้แบตเตอรี่เสียหาย

"Electronic Cell Protection (ECP)" ป้องกันไม่ให้แบตเตอรี่ Li-ion จ่ายกระแสไฟฟ้ออกอีก เมื่อแบตเตอรี่หมดไฟ วงจรป้องกันจะดับสวิตช์เครื่อง เครื่องมือที่ใส่อยู่จะไม่หมุนต่อ แบตเตอรี่มีระบบควบคุมอุณหภูมิ NTC ประกอบอยู่ด้วย ระบบควบคุมนี้จะอนุญาตให้ชาร์จได้ที่อุณหภูมิระหว่าง 0 ถึง 45 องศาเซลเซียสเท่านั้น ในลักษณะนี้แบตเตอรี่จะมีอายุการใช้งานยืนยาว

อ่านและปฏิบัติตามข้อสั่งการสำหรับการกำจัดขยะ

การแสดงสถานะการชาร์จแบตเตอรี่

ไฟ LED สีเขียวสามดวงของไฟแสดงสถานะการชาร์จแบตเตอรี่ 5 แสดงสถานะการชาร์จของแบตเตอรี่ 1 เมื่อสแตร์ทเครื่อง ไฟแสดงสถานะการชาร์จจะส่องสว่างนานเพียง 5 วินาที

LED	ความจุ
ส่องสว่างต่อเนื่อง 3 x สีเขียว	$\geq 2/3$
ส่องสว่างต่อเนื่อง 2 x สีเขียว	$\geq 1/3$
ส่องสว่างต่อเนื่อง 1 x สีเขียว	$< 1/3$
ไฟกะพริบ 1 x สีเขียว	ล้ารอง
ไฟกะพริบ 3 x สีเขียว	หมด

32 | ภาษาไทย

หลังจากเปิดสวิตช์แล้ว ไฟ LED ไม่ติดขึ้น แสดงว่าแบตเตอรี่บกพร่องและต้องเปลี่ยนใหม่

การเปลี่ยน/การใส่ใบเลื่อย

- ▶ **เมื่อประกอบใบเลื่อยเข้า ต้องสวมถุงมือป้องกัน** เมื่อสัมผัสใบเลื่อยอาจได้รับอันตรายบาดเจ็บ

การเลือกใบเลื่อย

สรุปความเกี่ยวกับใบเลื่อยที่แนะนำให้ใช้กรุณาดูในตอนท้ายของคำแนะนำในการปฏิบัติงานนี้ ให้ใช้เฉพาะใบเลื่อยที่มีก้านรูปตัว T เท่านั้น ใบเลื่อยควรมีขนาดยาวกว่าความหนาของการตัดที่ต้องการเพียงเล็กน้อยเท่าที่จำเป็น

ใช้ใบเลื่อยบางสำหรับการตัดโค้งแคบ

การใส่ใบเลื่อย (รูปภาพประกอบ A)

- ▶ **ทำความสะอาดก้านใบเลื่อยก่อนนำไปใส่** ก้านที่สกปรกไม่สามารถยึดอย่างแน่นหนาได้

ใส่ใบเลื่อย 14 เข้าในก้านชักขึ้นลง 11 จนเข้าล็อก ก้านหนีบ SDS 18 จะกระดกไปข้างหลังโดยอัตโนมัติและใบเลื่อยจะถูกล็อก อย่านำมือออกจากก้านหนีบ 18 ไปข้างหลัง การกระทำดังกล่าวอาจทำให้เครื่องมือไฟฟ้าเสียหายได้

ขณะใส่ใบเลื่อยต้องใส่ใจดูให้ส่วนหลังใบเลื่อยเข้าอยู่ในร่องของหัวจับใบเลื่อย 10

- ▶ **ตรวจสอบให้ใบเลื่อยเข้าที่อย่างมั่นคง** ใบเลื่อยที่ใส่ไว้หลวมๆ อาจหลุดออกมาและทำให้บาดเจ็บได้

การตัดใบเลื่อยออก (รูปภาพประกอบ B)

- ▶ **เมื่อต้องการตัดใบเลื่อยออก ให้จับเครื่องมือในลักษณะที่เมื่อใบเลื่อยตัดออกมาจะไม่ทำให้บุคคลและสัตว์บาดเจ็บได้**

หมุนก้านหนีบ SDS 18 ไปข้างหน้าทางกันชน 19 จนสุด ใบเลื่อยจะถูกปลดและตัดตัวออกมา

การดูดฝุ่น/ขี้เลื่อย

- ▶ ฝุ่นที่ได้จากวัสดุ เช่น เคลือบผิวที่มีสารตะกั่ว ไม้บางประเภท แร่ธาตุ และโลหะ อาจเป็นอันตรายต่อสุขภาพ การสัมผัสหรือการหายใจเอาฝุ่นเข้าไปอาจทำให้เกิดปฏิกิริยาแพ้ฝุ่นและ/หรือนำมาซึ่งโรคติดเชื้อระบบหายใจแก่ผู้ใช้เครื่องมือหรือผู้ที่ยืนอยู่ใกล้เคียง

ฝุ่นบางประเภท เช่น ฝุ่นไม้โอ๊ก หรือไม้บีช นับเป็นสารที่ทำให้เกิดมะเร็ง โดยเฉพาะอย่างยิ่งเมื่อผสมกับสารเติมแต่งเพื่อบำบัดไม้ (โครเมต ผลิตภัณฑ์รักษาเนื้อไม้) สำหรับวัสดุที่มีแอลกอฮอล์ต้องให้ผู้เชี่ยวชาญทำงานเท่านั้น

- ใช้ระบบดูดฝุ่นออกที่เหมาะสมกับประเภทวัสดุ มากเท่าที่จะทำได้
- จัดสถานที่ทำงานให้มีการระบายอากาศที่ดี
- ขอแนะนำให้สวมหน้ากากป้องกันการติดเชื้อที่มีระดับ-ไส้กรอง P2

ปฏิบัติตามกฎข้อบังคับสำคัญอื่นๆ ที่เกี่ยวข้องกับวัสดุชิ้นงานที่บังคับใช้ในประเทศของท่าน

- ▶ **ป้องกันการสะสมของฝุ่นในสถานที่ทำงาน** ฝุ่นสามารถถูกให้ได้อย่างง่ายดาย

การต่อเครื่องดูดฝุ่น (รูปภาพประกอบ C-E)

ใส่ท่อต่อดูดฝุ่น 20 เข้าในช่องเปิดของแผ่นฐาน 9

สวมท่อดูดฝุ่น 21 (อุปกรณ์ประกอบ) เข้าบนท่อต่อดูดฝุ่น 20 ต่อท่อดูดฝุ่น 21 เข้ากับเครื่องดูดฝุ่น (อุปกรณ์ประกอบ) คำอธิบายโดยสรุปเกี่ยวกับเครื่องดูดฝุ่นประเภทต่างๆ ดูได้ในส่วนท้ายของคู่มือนี้

เพื่อการดูดฝุ่นออกให้ได้ประสิทธิภาพที่สุด ให้ใช้แผ่นป้องกันการฉีกที่ผิววัสดุ 22 ถ้าเป็นไปได้

เครื่องดูดฝุ่นต้องมีลักษณะการใช้งานที่เหมาะสมกับประเภทวัสดุชิ้นงาน

ในกรณีดูดฝุ่นแห้งที่เป็นอันตรายต่อสุขภาพอย่างยิ่งหรืออาจก่อให้เกิดมะเร็งได้ ให้ใช้เครื่องดูดฝุ่นพิเศษ

สวมฝาครอบการดูดออก 16 เข้าบนกันชน 19

แผ่นป้องกันการฉีกที่ผิววัสดุ (รูปภาพประกอบ E)

แผ่นป้องกันการฉีกที่ผิววัสดุ 22 สามารถป้องกันไม่ให้ผิววัสดุสูญเสียไปอย่างขณะเลื่อยไม้ แผ่นป้องกันการฉีกที่ผิววัสดุใช้กับใบเลื่อยบางประเภทเท่านั้น และยังใช้ได้เฉพาะสำหรับการตัดมุม 0° องศาเท่านั้น

ใส่แผ่นป้องกันการฉีกที่ผิววัสดุ 22 เข้าในแผ่นฐาน 9 จากทางด้านหน้า

ท่านยังสามารถเสียบแผ่นป้องกันการฉีกที่ผิววัสดุ 22 เข้าไปได้เมื่อมีปลอกเลื่อนพลาสติก 12 ติดตั้งอยู่

ปลอกเลื่อน (รูปภาพประกอบ F)

ให้ใช้ปลอกเลื่อนพลาสติก 12 เมื่อทำงานกับพื้นผิวที่เป็นรอยขีดข่วน

เมื่อต้องการใส่ปลอกเลื่อนพลาสติก 12 ให้วางขอบหน้าของแผ่นฐาน 9 ไว้ใต้ส่วนหัวของปลอกเลื่อนพลาสติก 23 จากนั้นจึงกดเครื่องมือไฟฟ้าลงบนปลอกเลื่อนพลาสติก 12 จนขบเข้าล็อก

เมื่อใช้ปลอกเลื่อนพลาสติก 12 อย่าใส่แผ่นป้องกันการฉีกที่ผิววัสดุ 22 เข้าในแผ่นฐาน 9 แต่ให้ใส่เข้าไปในปลอกเลื่อน

การปฏิบัติงาน

วิธีการปฏิบัติงาน

- ▶ **ก่อนปรับแต่งเครื่อง (ต.ย. เช่น เมื่อบำรุงรักษา เปลี่ยนเครื่องมือ และอื่นๆ) และขณะขนย้ายและเก็บเครื่องเข้าที่ ให้ถอดแบตเตอรี่ออกจากเครื่องมือไฟฟ้า** อันตรายจากการบาดเจ็บหากสวิตช์เปิด-ปิดติดขึ้นอย่างไม่ตั้งใจ

การตั้งการเตะ

เนื่องจากการเตะปรับตั้งได้ จึงสามารถปรับความเร็วการตัดสมรรถนะการตัด และลดเวลาการตัด ให้เหมาะกับวัสดุชิ้นงานได้อย่างดีที่สุด

การเตะสามารถตั้งได้ด้วยคันโยก 8 สับคันโยกได้แม้ขณะเครื่องกำลังทำงานอยู่

ปิดสวิตซ์การเตะ (ระดับ 0):	ไม่เตะ
การเตะระดับ I:	เตะน้อย
การเตะระดับ II:	เตะมาก

ค่าระดับการเตะที่ดีที่สุดสำหรับงานตัดแต่ละงาน สามารถกำหนดได้จากการฝึกปฏิบัติ ช้อนแนะนำต่อไปนี้จะสามารถนำมาใช้ได้:

- ยิ่งต้องการให้ได้ขอบตัดที่ละเอียดและสะอาดเพียงใด ยิ่งต้องเลือกการเตะระดับที่น้อยลง (หรือปิดสวิทช์การเตะ)
- สำหรับวัสดุบาง เช่น โลหะแผ่น ให้ปิดสวิทช์การเตะ
- สำหรับวัสดุแข็ง เช่น เหล็ก ให้เลื่อยด้วยระดับการเตะน้อย
- สำหรับวัสดุ نرم และเมื่อเลื่อยตามทิศลายไม้ ให้เลื่อยด้วยระดับการเตะมากที่สุด

การปรับมุมตัด (ดูภาพประกอบ J)

แผ่นฐาน 9 สามารถเอียงซ้ายหรือขวาได้ถึง 45 องศา เพื่อตัดมุมบาง

ถอดท่อต่อดูดฝุ่น 20 ออก

ที่มุม 0° มีหมุดสลักอยู่ในร่องเว้าที่สอดคล้องกัน

คลายสกรู 24 ออกด้วยประแจขันหกเหลี่ยม 29 ไปจนท่านสามารถเลื่อนแผ่นฐาน 9 ไปทางแบตเตอรี่ 1 ได้ปล่อยให้หมุดสลักเลื่อนลงในร่องเว้า

สำหรับการปรับมุมบางให้ได้เพียงตรง ให้หมุนแผ่นฐาน 9 ไปยังตำแหน่งที่ต้องการตามมาตรวัด 25 ท่านสามารถปรับมุมทุกมุมได้ถึง 45° โดยใช้ไม้โปรแทรกเตอร์

ขันสกรู 24 กลับเข้าให้แน่น

สำหรับการตัดมุมบาง จะไม่สามารถใส่ท่อต่อดูดฝุ่น 20 และแผ่นป้องกันการฉีกที่ผิววัสดุ 22

เริ่มต้นปฏิบัติงาน

การถอดแบตเตอรี่ (ดูภาพประกอบ K)

ถอดแบตเตอรี่ 1 ออกโดยกดแป้นปลดล็อก 2 และเอาแบตเตอรี่ออกโดยดันลงด้านล่าง **อย่าใช้กำลังดัน**

การเปิด-ปิดเครื่อง

เปิดเครื่องทำงานโดยดันสวิทช์เปิด-ปิด 7 ไปด้านหน้า

ปิดเครื่องโดยดันสวิทช์เปิด-ปิด 7 ไปที่ตำแหน่ง "0"

การควบคุมอัตราขยับชัก

ความเร็วรอบชักขึ้นลงสามารถตั้งไว้ล่วงหน้าด้วยปุ่มเลือกอัตรารอบ-ชัก-เร็ว ล่วงหน้า 4 และเปลี่ยนค่าได้ขณะเครื่องกำลังเดินอยู่

เกมห่วงหระขยับชักที่ต้องใช้ขึ้นอยู่กับประเภทวัสดุชิ้นงาน และเงื่อนไขการทำงาน การทดลองภาคปฏิบัติจะช่วยให้ได้เกมห่วงหระที่ดีที่สุด

ขอแนะนำให้ลดอัตราขยับชักลงขณะใบเลื่อยขบเข้าในวัสดุชิ้นงาน และเมื่อเลื่อยพลาสติกและอะลูมิเนียม

หลังจากใช้งานเครื่องด้วยความเร็วรอบชักขึ้นลงต่ำเป็นระยะเวลาสั้น เครื่องอาจร้อนขึ้นมาก ให้ถอดใบเลื่อยออกจากเครื่อง และทำให้เครื่องเย็นลงโดยปล่อยให้เครื่องเดินด้วยความเร็วรอบชักขึ้นลงสูงสุดนานประมาณ 3 นาที

การป้องกันการใช้งานเกินกำลังโดยอาศัยอุณหภูมิ

เมื่อใช้งานเครื่องมือไฟฟ้าตรงตามวัตถุประสงค์ เครื่องจะไม่ทำงานเกินกำลังหากเครื่องทำงานเกินกำลังหรือไม่อยู่ในช่วงอุณหภูมิแบตเตอรี่ที่อนุญาต ความเร็วจะลดลงหรือเครื่องมือไฟฟ้าจะปิดสวิทช์ ที่ความเร็วลดลงเครื่องมือไฟฟ้าจะทำงาน

อีกครั้งด้วยความเร็วเต็มพิกัดในทันทีที่ถึงอุณหภูมิแบตเตอรี่ที่อนุญาตหรือเมื่อภาระงานลดลงเมื่อเครื่องมือไฟฟ้าปิดสวิทช์โดยอัตโนมัติ ให้ปิดสวิทช์เครื่อง ปล่อยให้แบตเตอรี่เย็นลง แล้วจึงเปิดสวิทช์เครื่องมือไฟฟ้าอีกครั้ง

การแสดงการควบคุมอุณหภูมิ/การป้องกันการใช้งานเกินกำลัง

ไฟแสดง LED 6 สีแดงจะช่วยปกป้องแบตเตอรี่จากความร้อนจัด และปกป้องมอเตอร์จากการใช้งานเกินกำลัง

เมื่อไฟแสดง LED 6 **ติดขึ้นสีแดงอย่างต่อเนื่อง** แสดงว่าอุณหภูมิของแบตเตอรี่สูงเกินไป และเครื่องปิดสวิทช์โดยอัตโนมัติ

- ปิดสวิทช์เครื่องมือไฟฟ้า
- ปล่อยให้แบตเตอรี่เย็นลงก่อนทำงานต่อ

เมื่อไฟแสดง LED 6 **กะพริบสีแดง** เครื่องมือไฟฟ้าถูกบล็อกและปิดสวิทช์โดยอัตโนมัติ

นำเครื่องมือไฟฟ้าออกจากชิ้นงาน

ในทันทีที่ภาวะการถูกบล็อกได้รับการแก้ไข เครื่องมือไฟฟ้าจะทำงานต่อที่ความเร็วรอบที่ตั้งไว้

การป้องกันการหมดประจุโดยสิ้นเชิง (deep discharge)

"Electronic Cell Protection (ECP)" ป้องกันไม่ให้แบตเตอรี่ Li-ion จ่ายกระแสไฟฟ้่าออกอีก เมื่อแบตเตอรี่หมดไฟ วงจรป้องกันระดับสวิทช์เครื่อง เครื่องมือที่ใส่อยู่จะไม่หมุนต่อ

การเปิดไฟส่องบริเวณทำงาน LED

ปุ่ม 3 ใช้สำหรับเปิดไฟส่องบริเวณทำงาน LED ไฟส่องบริเวณทำงานจะปิดสวิทช์โดยปริยาย

การป้องกันการสตาร์ทอีกครั้ง

ระบบป้องกันการรีสตาร์ทช่วยป้องกันการเริ่มเดินเครื่องใหม่อย่างควบคุมไม่ได้หลังจากไฟฟ้าเกิดขัดข้อง ทันทีที่ระบบป้องกันการรีสตาร์ททำงาน ไฟแสดงการควบคุมอุณหภูมิ/การป้องกันการใช้งานเกินกำลัง 6 จะกะพริบอย่างต่อเนื่อง

สตาร์ทเครื่องทำงานอีกครั้ง สับสวิทช์เปิด-ปิด 7 ไปยัง

ตำแหน่งปิด และเปิดเครื่องทำงานอีกครั้ง

หมายเหตุ: เมื่อปิดและเปิดสวิทช์ใหม่อีกครั้งอย่างรวดเร็ว เป็นไปได้ที่การป้องกันการสตาร์ทอีกครั้งจะถูกล้นไก; นี้จะป้องกันไม่ให้เครื่องมือไฟฟ้าสตาร์ทเครื่องแม้ว่าสวิทช์เปิด-ปิด 7 จะถูกเรียกใช้งาน ให้ตั้งสวิทช์เปิด-ปิด 7 ไปที่ตำแหน่งปิด จากนั้นจึงเปิดสวิทช์อีกครั้งหนึ่ง

ข้อแนะนำในการทำงาน

- ▶ **เมื่อเลื่อยชิ้นงานขนาดเล็กหรือบาง ต้องมีการรองรับที่มั่นคงเสมอ**

กันชน

กันชน 19 ที่ติดอยู่กับตัวเครื่องช่วยป้องกันไม่ให้สัมผัสกับใบเลื่อยโดยไม่ตั้งใจขณะทำงาน และต้องไม่ถอดออก

ขอบโค้งด้านนอกบนฝาครอบการุดออก 16 ช่วยป้องกันไม่ให้มือลื่นไถลเข้าไปในบริเวณตัด

34 | ภาษาไทย

การจ้วงตัด (ดูภาพประกอบ G)

► การจ้วงตัดจะทำได้เฉพาะเมื่อตัดวัสดุใหม่ ตัวอย่าง เช่น ไม้ แผ่นกระดานยิปซัม และอื่นๆ เท่านั้น!

สำหรับการจ้วงตัด ต้องใช้เฉพาะใบเลื่อยขนาดสั้นเท่านั้น การจ้วงตัดกระทำได้เมื่อตั้งมุมมากไว้ที่ตำแหน่ง 0 องศาเท่านั้น

วางเครื่องโดยให้ขอบหน้าของแผ่นฐาน 9 จดลงบนชิ้นงาน แต่ไม่ให้ใบเลื่อย 14 และชิ้นงาน และเปิดสวิตช์ สำหรับเครื่องที่มีระบบควบคุมอัตราขับเคลื่อน ให้เลือกอัตราชักขึ้นลงสูงสุด จับเครื่องเอียงเข้าหาชิ้นงานอย่างมั่นคง จ้วงใบเลื่อยเข้าในชิ้นงานอย่างช้าๆ

เมื่อแผ่นฐาน 9 วางเต็มที่ยื่นพ้นผิววัสดุแล้ว ให้เลื่อยตามเส้นตัดต่อไป

ตัวนำเลื่อยแบบขนานพร้อมตัวนำเลื่อยแบบวงแหวน (อุปกรณ์ประกอบ)

การตัดแบบขนาน (ดูภาพประกอบ H): คลายสกรูล็อค 26 ออก และเลื่อนมาตราส่วนของตัวนำเลื่อยแบบขนานเข้าในช่องใส่ 13 ในแผ่นฐาน ตั้งความกว้างการตัดที่ต้องการตามค่ามาตราส่วนที่อยู่ในขอบด้านในของแผ่นฐาน ชันสกรูล็อค 26 เข้าให้แน่น

การตัดรูวงแหวน (ดูภาพประกอบ I): ตั้งสกรูล็อค 26 ที่อีกด้านหนึ่งของตัวนำเลื่อยแบบขนาน เลื่อนมาตราส่วนของตัวนำเลื่อยแบบขนานเข้าในช่องใส่ 13 ในแผ่นฐาน จะระบุเข้าในชิ้นงานโดยให้รูอยู่ตรงกลางส่วนที่จะเลื่อยออก ใส่ตัวหมายศูนย์ 28 ผ่านช่องเปิดด้านในของตัวนำเลื่อยแบบขนาน และเข้าในรูที่เจาะไว้ ตั้งรัศมีตามค่ามาตราส่วนที่อยู่ในขอบด้านในของแผ่นฐาน ชันสกรูล็อค 26 เข้าให้แน่น

สารหล่อเย็น/น้ำมันหล่อลื่น

เมื่อเลื่อยโลหะ ให้ใช้โลสมสารหล่อเย็น/น้ำมันหล่อลื่นตามรอยตัด เนื่องจากวัสดุร้อนขึ้น

การบำรุงรักษาและการบริการ

การบำรุงรักษาและการทำความสะอาด

► ก่อนปรับแต่งเครื่อง (ต.ย. เช่น เมื่อบำรุงรักษา เปลี่ยนเครื่องมือ และอื่นๆ) และขณะขนย้ายและเก็บเครื่อง เข้าที่ ให้ถอดแบตเตอรี่ออกจากเครื่องมือไฟฟ้า อันตรายจากการบาดเจ็บหากสวิตช์เปิด-ปิดติดขึ้นอย่างไม่ตั้งใจ

► เพื่อให้ทำงานได้อย่างถูกต้องและปลอดภัย ต้องรักษาเครื่องและช่องระบายอากาศให้สะอาดอยู่เสมอ

ทำความสะอาดที่จับใบเลื่อยเป็นประจำ สำหรับการทำความสะอาด ให้ถอดใบเลื่อยออกจากตัวเครื่อง และจับเครื่องเกาะบนพื้นราบเบาๆ

หากเครื่องสกปรกมาก เครื่องอาจทำงานผิดปกติได้ ดังนั้นอย่าปล่อยให้วัสดุที่ฝุ่นมากจากทางด้านล่างหรือเลื่อยเหนือศีรษะ

หล่อลื่นหัวจับใบเลื่อย 10 เป็นครั้งคราวโดยการหยอดน้ำมัน ตรวจสลับหัวจับใบเลื่อย 10 เป็นประจำ หากสึกหรอ ต้องส่งให้ศูนย์บริการหลังการขายของ บ็อช ที่ได้รับมอบหมายเปลี่ยนใหม่ให้

ควรเปลี่ยนปลอกเลื่อนพลาสติก 12 เมื่อเสื่อมสภาพ

การบริการหลังการขายและคำแนะนำการใช้งาน

ศูนย์บริการหลังการขายของเรายินดีตอบคำถามเกี่ยวกับการบำรุงรักษาและการซ่อมแซมผลิตภัณฑ์ของท่าน รวมทั้งชิ้นส่วนอะไหล่ ภาพแยกชิ้นประกอบและข้อมูลเกี่ยวกับชิ้นส่วนอะไหล่ยังสามารถดูได้ใน:

www.bosch-pt.com

ทีมงานให้คำแนะนำการใช้งานของ บ็อช ยินดีตอบคำถามเกี่ยวกับผลิตภัณฑ์ของเราและอุปกรณ์ประกอบของผลิตภัณฑ์ เมื่อต้องการสอบถามและสั่งซื้ออะไหล่ กรุณาแจ้งหมายเลขสินค้าสลับหลักบนแผ่นป้ายรุ่นของเครื่องทุกครั้ง

ในกรณีประกัน ซ่อมแซม หรือซื้อชิ้นส่วนมาเปลี่ยน กรุณาติดต่อ ผู้ขายที่ได้รับแต่งตั้งเท่านั้น

ไทย

บริษัท โรเบิร์ต บ็อช จำกัด
ชั้น 11 ตึกลิเบอร์ตี สแควร์
287 ถนนสีลม บางรัก
กรุงเทพฯ 10500

โทรศัพท์ 02 6393111, 02 6393118

โทรสาร 02 2384783

บริษัท โรเบิร์ต บ็อช จำกัด ตู้ ปณ. 2054
กรุงเทพฯ 10501 ประเทศไทย

www.bosch.co.th

ศูนย์บริการซ่อมและฝึกอบรม บ็อช
อาคาร ลาซาทาวเวอร์ ชั้น G ห้องเลขที่ 2

บ้านเลขที่ 10/11 หมู่ 16

ถนนศรีนครินทร์

ตำบลบางแก้ว อำเภอบางพลี

จังหวัดสมุทรปราการ 10540

ประเทศไทย

โทรศัพท์ 02 7587555

โทรสาร 02 7587525

การขนส่ง

แบตเตอรี่ลิเธียม ไอออน ที่บรรจุอยู่ภายใต้ข้อกำหนดแห่งกฎหมายสินค้าอันตราย ผู้ใช้สามารถขนส่งแบตเตอรี่โดยทางถนนโดยไม่มีข้อบังคับอื่น

หากขนส่งโดยบุคคลที่สาม (เช่น: การขนส่งทางอากาศ หรือตัวแทนขนส่งสินค้า) ต้องปฏิบัติตามข้อกำหนดพิเศษเกี่ยวกับการบรรจุภัณฑ์และการติดฉลาก ในการจัดเตรียมสิ่งของที่จะจัดส่ง ต้องปรึกษาผู้เชี่ยวชาญสำหรับวัสดุอันตราย

ส่งแบตเตอรี่เมื่อตัวหุ้มไม่ชำรุดเสียหายเท่านั้น ใช้แถบกาวพันปิดหน้าสัมผัสที่เปิดอยู่ และนำแบตเตอรี่ใส่กล่องบรรจุโดยไม่ให้เคลื่อนไปมาในกล่องได้

นอกจากนี้กรุณาปฏิบัติตามกฎระเบียบของประเทศซึ่งอาจมีรายละเอียดเพิ่มเติม

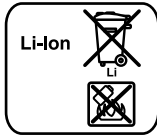
การกำจัดขยะ



เครื่อง แบตเตอรี่ที่น่ากลับมาระจใหม่ได้ อุปกรณ์ประกอบ และหีบห่อ ต้องนำไปแยกประเภทวัสดุ เพื่อนำกลับมาใช้ใหม่โดยไม่ทำลายสภาพแวดล้อม

อย่าทิ้งเครื่องมือไฟฟ้าและแบตเตอรี่/แบตเตอรี่ที่น่ากลับมาระจใหม่ได้ ลงในขยะบ้าน!

แบตเตอรี่ลิเธียม/แบตเตอรี่:



Li-ion:

กรุณาปฏิบัติตามคำสั่งในบท
"การขนส่ง" หน้า 34

ขอสงวนสิทธิ์ในการเปลี่ยนแปลงโดยไม่ต้องแจ้งล่วงหน้า

Bahasa Indonesia

Petunjuk-Petunjuk untuk Keselamatan Kerja

Petunjuk-Petunjuk Umum untuk Perkakas Listrik

⚠ PERHATIKANLAH Bacalah semua petunjuk-petunjuk untuk keselamatan kerja dan petunjuk-petunjuk untuk penggunaan.

Kesalahan dalam menjalankan petunjuk-petunjuk untuk keselamatan kerja dan petunjuk-petunjuk untuk penggunaan dapat mengakibatkan kontak listrik, kebakaran dan/atau luka-luka yang berat.

Simpanlah semua petunjuk-petunjuk untuk keselamatan kerja dan petunjuk-petunjuk lainnya untuk penggunaan di masa depan.

Kata „perkakas listrik“ yang disebutkan di dalam petunjuk-petunjuk untuk keselamatan kerja adalah sebutan untuk perkakas listrik pakai listrik jaringan (dengan kabel) dan untuk perkakas listrik tenaga baterai (tanpa kabel listrik).

Keselamatan kerja di tempat kerja

- ▶ **Jagalah supaya tempat kerja selalu bersih dan terang.** Tempat kerja yang tidak rapi atau tidak terang dapat mengakibatkan terjadinya kecelakaan.
- ▶ **Janganlah menggunakan perkakas listrik di tempat di mana dapat terjadi ledakan, di mana ada cairan, gas atau debu yang mudah terbakar.** Perkakas listrik dapat memancarkan bunga api yang lalu mengakibatkan debu atau uap terbakar.
- ▶ **Selama menggunakan perkakas listrik, jauhkan anak-anak dan orang-orang lain dari tempat kerja.** Jika konsentrasi terganggu, bisa jadi Anda tidak bisa mengendalikan perkakas listrik tersebut.

Keamanan listrik

- ▶ **Steker dari perkakas listrik harus cocok pada stopkontak. Janganlah sekali-kali merubah steker. Janganlah menggunakan steker perantara bersama dengan perkakas listrik yang mempunyai hubungan arde.** Steker yang tidak dirubah dan stopkontak yang cocok mengurangi bahaya terjadinya kontak listrik.
- ▶ **Jagalah supaya badan Anda tidak bersentuhan dengan permukaan yang mempunyai hubungan arde, misalnya pipa-pipa, radiator pemanas ruangan, kompor listrik dan lemari es.** Ada risiko besar terjadi kontak listrik, jika badan Anda mempunyai hubungan arde.

- ▶ **Jagalah supaya perkakas listrik tidak kena hujan atau menjadi basah.** Air yang masuk ke dalam perkakas listrik menambah risiko terjadinya kontak listrik.
- ▶ **Janganlah menyalahgunakan kabel listrik untuk mengangkat dan menggantungkan perkakas listrik atau untuk menarik steker dari stopkontak. Jagalah supaya kabel listrik tidak kena panas, minyak, pinggiran yang tajam atau bagian-bagian perkakas yang bergerak.** Kabel listrik yang rusak atau tersangkut menambah risiko terjadinya kontak listrik.
- ▶ **Jika Anda menggunakan perkakas listrik di luar gedung, gunakanlah hanya kabel sambungan yang juga cocok untuk pemakaian di luar gedung.** Penggunaan kabel sambungan yang cocok untuk pemakaian di luar gedung mengurangi risiko terjadinya kontak listrik.
- ▶ **Jika penggunaan perkakas listrik di tempat yang basah tidak bisa dihindarkan, gunakanlah sakelar pengaman terhadap arus penyimpangan.** Penggunaan sakelar pengaman terhadap arus penyimpangan mengurangi risiko terjadinya kontak listrik.

Keselamatan kerja

- ▶ **Berhati-hatilah selalu, perhatikanlah apa yang Anda kerjakan dan bekerjalah dengan seksama jika menggunakan perkakas listrik. Janganlah menggunakan perkakas listrik, jika Anda capai atau berada di bawah pengaruh narkoba, minuman keras atau obat.** Jika Anda sekejap mata saja tidak berhati-hati sewaktu menggunakan perkakas listrik, dapat terjadi luka-luka berat.
- ▶ **Pakailah pakaian dan sarana pelindung dan pakailah selalu kaca mata pelindung.** Dengan memakai pakaian dan sarana pelindung, misalnya kedok anti debu (masker), sepatu tertutup yang tidak licin, helm pelindung atau pemalut telinga sesuai dengan pekerjaan yang dilakukan dengan perkakas listrik, bahaya terjadinya luka-luka dapat dikurangi.
- ▶ **Jagalah supaya perkakas listrik tidak dihidupkan secara tidak disengaja. Perhatikan bahwa perkakas listrik dalam penyetelan mati, jika steker disambungkan pada pengadaan listrik dan/atau baterai, jika perkakas listrik diangkat atau dibawa.** Jika selama mengangkat perkakas listrik jari Anda berada pada tombol untuk menghidupkan dan mematikan atau perkakas listrik yang dalam penyetelan hidup disambungkan pada listrik, dapat terjadi kecelakaan.
- ▶ **Lepaskan semua perkakas-perkakas penyetelan atau kunci-kunci pas sebelum perkakas listrik dihidupkan.** Perkakas atau kunci yang berada di dalam bagian yang berputar dapat mengakibatkan terjadinya luka-luka.
- ▶ **Aturkan badan sedemikian sehingga Anda bisa bekerja dengan aman. Berdirilah secara mantap dan jagalah selalu keseimbangan.** Dengan demikian Anda bisa mengendalikan perkakas listrik dengan lebih baik, jika terjadi sesuatu dengan tiba-tiba.
- ▶ **Pakailah pakaian yang cocok. Janganlah memakai pakaian yang longgar atau perhiasan. Jagalah supaya rambut, pakaian dan sarung tangan tidak masuk dalam bagian-bagian perkakas yang bergerak.** Pakaian yang

36 | Bahasa Indonesia

longgar, rambut panjang atau perhiasan dapat tersangkut dalam bagian perkakas yang bergerak.

- ▶ **Jika ada kemungkinan untuk memasang sarana penghisapan dan penampungan debu, perhatikan bahwa sarana-sarana ini telah dipasang dan digunakan dengan betul.** Penggunaan sarana penghisapan bisa mengurangi bahaya yang disebabkan debu.

Penggunaan dan penanganan perkakas listrik dengan seksama

- ▶ **Janganlah membebani perkakas listrik terlalu berat. Gunakan selalu perkakas listrik yang cocok untuk pekerjaan yang dilakukan.** Dengan perkakas listrik yang cocok Anda bekerja lebih baik dan lebih aman dalam batas-batas kemampuan yang ditentukan.
- ▶ **Janganlah menggunakan perkakas listrik yang tombolnya rusak.** Perkakas listrik yang tidak bisa dihidupkan atau dimatikan, berbahaya dan harus direparasikan.
- ▶ **Tariklah steker dari stopkontak dan/atau keluarkan baterai, sebelum Anda melakukan penyetelan pada perkakas listrik, mengganti alat-alat kerja atau sebelum menyimpan perkakas listrik.** Tindakan keselamatan kerja ini mengurangi bahaya perkakas listrik hidup secara tidak disengaja.
- ▶ **Simpanlah perkakas listrik yang tidak digunakan di luar jangkauan anak-anak. Janganlah mengizinkan orang-orang yang tidak mengenal perkakas listrik ini atau yang belum membaca petunjuk-petunjuk ini, menggunakan perkakas listrik ini.** Perkakas listrik bisa menjadi berbahaya, jika digunakan oleh orang-orang yang tidak mengenalnya.
- ▶ **Rawatlah perkakas listrik dengan seksama.** Periksalah, apakah bagian-bagian perkakas listrik yang bergerak berfungsi dengan baik dan tidak tersangkut, apakah ada bagian-bagian yang patah atau rusak sedemikian, sehingga dapat mempengaruhi jalannya perkakas listrik. Biarkan bagian-bagian perkakas yang rusak direparasikan, sebelum Anda mulai menggunakan perkakas listrik. Banyak kecelakaan terjadi karena perkakas listrik tidak dirawat dengan seksama.
- ▶ **Perhatikan supaya alat-alat pemotong selalu tajam dan bersih.** Alat-alat pemotong dengan mata-mata pemotong yang tajam dan dirawat dengan seksama tidak mudah tersangkut dan lebih mudah dikendalikan.
- ▶ **Gunakanlah semua perkakas listrik, aksesor, alat-alat kerja dsb. sesuai dengan petunjuk-petunjuk. Perhatikan syarat-syarat kerja dan macam pekerjaan yang dilakukan.** Penggunaan perkakas listrik untuk macam pekerjaan yang tidak cocok dengan kegunaannya bisa mengakibatkan keadaan yang berbahaya.

Penanganan dan penggunaan perkakas-perkakas pakai baterai dengan seksama

- ▶ **Isikan baterai hanya dalam alat-alat pencas baterai yang dianjurkan oleh pabrik.** Jika suatu alat pencas baterai yang cocok untuk mengisi satu macam baterai tertentu, digunakan untuk mengisi baterai-baterai lainnya, ada bahaya terjadinya kebakaran.

- ▶ **Gunakanlah hanya baterai-baterai yang cocok dan khusus untuk masing-masing perkakas listrik.**

Penggunaan baterai-baterai lain dapat mengakibatkan terjadinya luka-luka dan kebakaran.

- ▶ **Jika baterai tidak digunakan, jauhkan baterai dari klip untuk kertas, uang logam, kunci, paku, sekrup atau benda-benda kecil dari logam lainnya, yang dapat menjembatani kontak-kontak.** Korsleting antara kontak-kontak baterai dapat mengakibatkan kebakaran atau api.
- ▶ **Jika baterai tidak digunakan dengan betul, dapat keluar cairan dari baterai. Jagalah supaya Anda tidak terkena pada cairan ini. Jika secara tidak disengaja Anda terkena pada cairan ini, cucikan dengan air. Jika cairan tersebut terkena pada mata, selain tindakan di atas, segera hubungi seorang dokter.** Cairan yang keluar dari baterai dapat mengakibatkan gangguan pada kulit atau kebakaran.

Servis

- ▶ **Biarkan perkakas listrik Anda direparasikan hanya oleh orang-orang ahli yang berpengalaman dan hanya dengan menggunakan suku cadang yang asli.** Dengan demikian terjamin keselamatan kerja dengan perkakas listrik ini secara berkesinambungan.

Petunjuk-petunjuk untuk keselamatan kerja untuk mesin jigsaw

- ▶ **Peganglah perkakas listrik hanya pada pegangan yang terisolir, jika Anda melakukan pekerjaan di mana alat kerjanya bisa terkena pada saluran listrik yang tidak terlihat.** Sentuhan pada kabel yang bertegangan dapat mengakibatkan bagian-bagian logam dari perkakas listrik juga bertegangan dan lalu mengakibatkan kontak listrik.
- ▶ **Jauhkan tangan-tangan Anda dari tempat penggergajian. Janganlah menjangkau di bawah benda yang dikerjakan.** Persentuhan dengan mata gergaji bisa mengakibatkan luka-luka.
- ▶ **Hidupkan dahulu perkakas listrik, baru kemudian perkakas listrik didekatkan pada benda yang dikerjakan.** Jika tidak demikian ada bahaya perkakas listrik membanting jika alat kerja tersangkut dalam benda yang dikerjakan.
- ▶ **Selama menggergaji, perhatikanlah supaya seluruh permukaan pelat dasar 9 berada pada benda yang dikerjakan.** Mata gergaji yang tersangkut bisa patah atau mengakibatkan terjadinya bantingan.
- ▶ **Setelah pekerjaan menggergaji rampung, matikan perkakas listrik dan tunggulah sampai mata gergaji berhenti bergerak, baru setelah itu mata gergaji dikeluarkan dari jalur pemotongan.** Dengan demikian bisa dihindarkan terjadinya bantingan dan perkakas listrik bisa diletakkan dengan aman.
- ▶ **Gunakanlah hanya mata gergaji-mata gergaji yang tidak rusak dan mulus.** Mata gergaji-mata gergaji yang melengkung atau tidak tajam bisa patah, membuat potongan tidak bagus atau mengakibatkan bantingan.
- ▶ **Setelah perkakas listrik dimatikan, janganlah meremkan mata gergaji dengan cara menekan pada sisinya.** Ini bisa mengakibatkan mata gergaji menjadi rusak, patah atau bisa mengakibatkan bantingan.

► **Gunakanlah alat detektor logam yang cocok untuk mencari kabel dan pipa pengadaaan yang tidak terlihat, atau hubungi perusahaan pengadaaan setempat.**

Sentuhan dengan kabel-kabel listrik bisa mengakibatkan api dan kontak listrik. Pipa gas yang dirusak bisa mengakibatkan ledakan. Pipa air yang dirusak mengakibatkan barang-barang menjadi rusak.

► **Usahakan supaya benda yang dikerjakan tidak goyang.** Benda yang ditahan dalam alat pemegang atau bails lebih mantap daripada benda yang dipegang dengan tangan.

► **Sebelum meletakkan perkakas listrik, tunggulah sampai perkakas berhenti memutar.** Alat kerja bisa tersangkut dan membuat perkakas listrik tidak bisa dikendalikan.

► **Janganlah membuka baterai.** Ada bahaya terjadinya korsleting.



Lindungilah baterai terhadap panas, misalnya juga terhadap penyinaran matahari yang lama, api, air dan kelembaban. Ada bahaya terjadinya ledakan.

► **Jika baterai rusak dan jika baterai digunakan salah, baterai bisa mengeluarkan uap. Biarkan udara segar mengalir masuk dan jika Anda merasa tidak enak badan, pergilah ke dokter.** Uap tersebut bisa mengganggu saluran pernafasan.

► **Gunakanlah baterai hanya bersama dengan perkakas listrik merek Bosch.** Hanya dengan demikian baterai dilindungi terhadap pembebanan terlalu berat yang berbahaya.

► **Gunakanlah hanya baterai asli yang bermerek Bosch dengan tegangan yang tercantum pada label tipe perkakas listrik.** Jika digunakan baterai lainnya, misalnya baterai tiruan, baterai lama yang diperbarui atau baterai yang bermerek lain, bisa terjadi luka-luka serta kerusakan pada benda yang disebabkan oleh baterai yang meledak.

Penjelasan tentang produk dan daya



Bacalah semua petunjuk-petunjuk untuk keselamatan kerja dan petunjuk-petunjuk untuk penggunaan. Kesalahan dalam menjalankan petunjuk-petunjuk untuk keselamatan kerja dan petunjuk-petunjuk untuk penggunaan dapat mengakibatkan kontak listrik, kebakaran dan/atau luka-luka yang berat.

Penggunaan alat

Perkakas listrik ini cocok untuk pemotongan dan pemotongan dalam dengan ketentuan harus diletakkan secara langsung di atas permukaan benda yang hendak dikerjakan dari kayu, bahan sintetis, logam, pelat-pelat keramik dan karet. Perkakas listrik ini bagus untuk pemotongan lurus dan berliku-liku dengan sudut pemotongan hingga 45°. Perhatikanlah selalu petunjuk-petunjuk untuk penggunaan mata gergaji.

Lampu pada perkakas listrik ini dimaksudkan untuk menerangi area pekerjaan perkakas listrik dan tidak sesuai untuk penerangan ruang dalam rumah.

Bagian-bagian pada gambar

Nomor-nomor dari bagian-bagian perkakas pada gambar sesuai dengan gambar perkakas listrik pada halaman bergambar.

- 1 Baterai
- 2 Tombol pelepas baterai
- 3 Tombol untuk lampu „PowerLight“
- 4 Roda untuk penyetelan pendahuluan jumlah langkah
- 5 Petanda keberisian baterai
- 6 Petanda untuk penjaga suhu/perindungan terhadap pembebanan yang terlalu berat
- 7 Tombol untuk menghidupkan dan mematikan
- 8 Tuas pengatur keayunan
- 9 Pelat dasar
- 10 Rol pengendalian
- 11 Stang seher
- 12 Bantalan plastik
- 13 Pemegang mistar kesejajaran
- 14 Mata gergaji*
- 15 Lampu „PowerLight“
- 16 Kap penghisap
- 17 Pegangan (genggaman terisolir)
- 18 Tuas SDS untuk melepaskan kunci mata gergaji
- 19 Pelindung terhadap singgungan
- 20 Stud sambungan untuk penghisapan
- 21 Slang penghisapan*
- 22 Alat untuk menghidupkan permukaan benda yang dipotong tercupas
- 23 Bagian ujung bantalan plastik
- 24 Baut
- 25 Skala sudut potong
- 26 Baut pengunci mistar kesejajaran*
- 27 Mistar kesejajaran dengan gergaji bundar*
- 28 Pucuk pemusatan dari gergaji bundar*
- 29 Kunci mur dalam

*Aksesori yang ada pada gambar atau yang dijelaskan, tidak termasuk pasokan standar. Semua aksesori yang ada bisa Anda lihat dalam program aksesori Bosch.

Data teknis

Mesin Jigsaw Nirkabel	GST 10,8 V-LI	
Nomor model	3 601 EA1 0..	
Tegangan nominal	V=	10,8
Banyaknya langkah tanpa beban n_0	min^{-1}	1500 – 2800
Langkah	mm	18
Daya pemotongan maks.		
– kayu	mm	70
– aluminium	mm	3
– baja (murni)	mm	3
Pemotongan serong (kiri/kanan) maks.	°	45
Berat sesuai dengan EPTA-Procedure 01:2014	kg	1.5 - 1.7*

* tergantung dari baterai yang digunakan

Cara memasang

- ▶ **Sebelum melakukan semua pekerjaan pada perkakas listrik (misalnya merawat, mengganti alat kerja dsb.) serta selama transpor atau penyimpanan, keluarkanlah baterai dari perkakas listrik.** Jika tombol untuk menghidupkan dan mematikan digerakkan tanpa sengaja, bisa terjadi luka-luka.

Cara mengisi baterai

- ▶ **Gunakanlah hanya alat-alat pencas baterai yang disebutkan pada halaman aksesori.** Hanya alat-alat pencas baterai ini yang dicocokkan pada baterai ion-Li yang diperlukan bagi perkakas listrik Anda.

Petunjuk: Baterai dipasang dalam keadaan diisi sebagian. Untuk menjamin daya penuh dari baterai, sebelum penggunaannya untuk pertama kalinya, isikanlah baterai sampai penuh sama sekali di dalam alat pencas baterai. Baterai ion-Li bisa diisi sewaktu-waktu, tanpa mengurangi daya tahannya. Baterai tidak menjadi rusak jika pengisiannya dihentikan untuk sementara waktu.

Baterai ion-Li dilindungi terhadap pengosongan sama sekali oleh „Electronic Cell Protection (ECP)“. Jika baterai kosong perkakas listrik dimatikan oleh pengaman: alat kerja berhenti memutar.

Baterai dilengkapi dengan penjaga suhu NTC yang memungkinkan pengisian baterai hanya pada tingkatan suhu antara 0 °C dan 45 °C. Ini membuat baterai tahan lama.

Perhatikanlah petunjuk-petunjuk untuk membuang.

Petanda keberisian baterai

Ketiga LED berwarna hijau pada indikator muatan baterai **5** menunjukkan isi muatan baterai **1**. Indikator muatan baterai hanya menyala selama 5 detik setelah aktivasi.

LED	Kapasitas
Lampu menetap 3 x hijau	≥ 2/3
Lampu menetap 2 x hijau	≥ 1/3
Lampu menetap 1 x hijau	< 1/3
Lampu berkedip-kedip 1 x hijau	cadangan
Menyala berkedip hijau 3 x	habis

Apabila LED tidak menyala setelah alat dinyalakan, maka baterai tersebut rusak dan harus diganti.

Memasang/mengganti mata gergaji

- ▶ **Pakailah sarung tangan pelindung pada waktu memasang mata gergaji.** Bisa terjadi luka-luka jika mata gergaji tersentuh.

Memilih mata gergaji

Satu ikhtisar dari mata gergaji yang dianjurkan ada pada bagian akhir dari petunjuk-petunjuk ini. Pasangkan hanya mata gergaji dengan gagang nok satu (gagang T). Mata gergaji sebaiknya tidak lebih panjang daripada yang diperlukan untuk pemotongan yang hendak dikerjakan.

Untuk menggergaji belokan-belokan patah, gunakanlah mata gergaji yang tidak lebar.

Memasang mata gergaji (lihat gambar A)

- ▶ **Bersihkanlah gagang dari mata gergaji sebelum memasangkannya.** Gagang yang tidak bersih tidak dapat dipasangkan dengan kukuh.

Dorongan mata gergaji **14** ke dalam stang seher **11** sampai mengunci. Tuas SDS **18** melompat ke belakang secara otomatis dan mata gergaji terkunci. Janganlah menekan tuas **18** dengan tangan ke belakang, karena dengan demikian Anda bisa merusakkan perkakas listrik.

Perhatikanlah pada waktu memasang mata gergaji, supaya punggung mata gergaji masuk dalam alur dari rol pengendalian **10**.

- ▶ **Periksalah apakah kedudukan mata gergaji sudah kencang.** Mata gergaji yang tidak kencanguduknya bisa meleset ke luar dan lalu melukai Anda.

Melepaskan mata gergaji (lihat gambar B)

- ▶ **Pada waktu melepaskan mata gergaji, peganglah perkakas listrik sedemikian sehingga orang atau binatang tidak terluka oleh mata gergaji yang terlompat ke luar.**

Putarkan tuas SDS **18** sampai batas dalam arah pelindung terhadap singgungan **19** ke depan. Dengan demikian mata gergaji terlepas.

Penghisapan debu/serbuk

- ▶ Debu dari bahan-bahan seperti misalnya cat yang mengandung timbel (timah hitam), beberapa jenis kayu, bahan mineral dan logam bisa berbahaya bagi kesehatan. Menyentuh atau menghirup debu-debu ini bisa mengakibatkan reaksi alergi dan/atau penyakit saluran pernafasan dari orang yang menggunakan mesin atau orang yang berada di dekatnya. Beberapa debu tertentu seperti misalnya debu kayu pohon quercus atau pohon fagus silvatica dianggap bisa mengakibatkan penyakit kanker, terutama dalam campuran dengan bahan-bahan tambahan untuk pengolahan kayu (kromat, obat pengawet kayu). Bahan-bahan yang mengandung asbestos hanya boleh dikerjakan oleh orang-orang yang ahli.
 - Gunakanlah hanya penghisap debu yang cocok untuk menghisap bahan yang dikerjakan.
 - Perhatikanlah supaya ada pertukaran udara di tempat kerja.
 - Kami anjurkan supaya Anda memakai kedok anti debu dengan saringan (filter) kelas P2.
- Taatilah peraturan-peraturan untuk bahan-bahan yang dikerjakan yang berlaku di negara Anda.
- ▶ **Hindarkan debu yang banyak terkumpul di tempat kerja.** Debu dapat menyulut dengan mudahnya.

Menyambung penghisapan debu (lihat gambar-gambar C – E)

Pasangkan stud sambungan untuk penghisapan **20** dalam tempat kosong dari pelat dasar **9**.

Pasangkan satu slang penghisapan **21** (aksesori) pada stud sambungan untuk penghisapan **20**. Sambungkan slang penghisapan **21** pada satu mesin penghisap debu (aksesori). Satu ikhtisar dari sambungan pada berbagai mesin penghisap debu ada di bagian akhir dari petunjuk-petunjuk ini.

Untuk penghisapan yang optimal, jika mungkin pasang alat untuk menghindarkan permukaan benda yang dipotong tercupas **22**.

Mesin penghisap debu harus cocok untuk menghisap bahan yang dikerjakan.

Gunakanlah mesin penghisap khusus jika debu yang terjadi sangat berbahaya bagi kesehatan, bisa mengakibatkan penyakit kanker atau sangat kering.

Pasang tudung penghisap **16** pada pelindung kontak **19**.

Alat untuk menghindarkan permukaan benda yang dipotong tercupas (lihat gambar E)

Pelindung pecahan **22** dapat membantu melindungi dari permukaan tajam saat pemotongan kayu. Pelindung pecahan hanya dapat digunakan dengan jenis mata gergaji yang sesuai serta hanya dengan sudut pemotongan dari 0°.

Geserkan alat untuk menghindarkan permukaan benda yang dipotong tercupas **22** dari depan ke dalam pelat dasar **9**.

Pelindung pecahan **22** juga dapat dipasangkan dengan bantalan plastik **12**.

Seterika (lihat gambar F)

Gunakan bantalan plastik saat bekerja pada permukaan yang tajam **12**.

Untuk mengganti bantalan plastik **12**, ganti ujung depan pelat dasar **9** di bawah bagian ujung bantalan plastik **23**. Tekan kembali hingga bantalan plastik **12** benar-benar terpasang pada perkakas listrik.

Dengan menggunakan bantalan plastik **12**, pelindung pecahan **22** tidak akan terpasang pada pelat dasar **9**, melainkan terpasang pada bantalan.

Penggunaan

Macam penggunaan

► **Sebelum melakukan semua pekerjaan pada perkakas listrik (misalnya merawat, mengganti alat kerja dsb.) serta selama transpor atau penyimpanan, keluarkanlah baterai dari perkakas listrik.** Jika tombol untuk menghidupkan dan mematikan digerakkan tanpa sengaja, bisa terjadi luka-luka.

Menyetel keayunan

Keayunan yang bisa disetelkan membuat keberhasilan menggergaji, daya pemotongan dan hasil pemotongan bisa disesuaikan secara optimal pada bahan yang dikerjakan.

Dengan tuas **8** bisa disetelkan keayunan, juga selama perkakas listrik sedang berjalan.

Tanpa keayunan (tingkatan 0): tanpa keayunan
Keayunan tingkatan I: keayunan kecil
Keayunan tingkatan II: keayunan besar

Tingkatan keayunan yang paling cocok dengan macam penggunaan bisa didapatkan dengan cara uji coba. Perhatikan saran-saran berikut:

- Setelkan tingkatan keayunan yang semakin rendah atau matikan keayunan, jika tepi pemotongan harus menjadi lebih halus dan rata.

- Jika mengerjakan bahan-bahan yang tipis (misalnya pelat-pelat), keayunan harus dimatikan.
- Jika mengerjakan bahan-bahan yang keras (misalnya baja), keayunan harus kecil.
- Jika mengerjakan bahan-bahan lunak dan pemotongan kayu mengikuti serat, setelkan keayunan yang maksimal.

Menyetel sudut pemotongan (lihat gambar J)

Pelat dasar **9** bisa diputar ke kanan atau kiri untuk sudut pemotongan sampai 45°.

Lepaskan stud sambungan untuk penghisapan **20**.

Pada sudut miter 0° terdapat pin yang sesuai dengan notch.

Longgarkan baut **24** menggunakan kunci L **29** hingga baut terlepas, sampai Anda dapat menggeser pelat dasar **9** menghadap ke baterai **1**. Biarkan pin bergeser pada slot pemandu.

Untuk menyetel sudut miter, geser pelat dasar **9** ke skala **25** yang sesuai pada posisi yang diinginkan. Dengan bantuan busur derajat, setiap sudut dapat disetel hingga 45°.

Kencangkan kembali baut **24**.

Stud sambungan untuk penghisapan **20** dan alat untuk menghindarkan permukaan benda yang dipotong tercupas **22** tidak dapat dipasangkan pada waktu melakukan pemotongan bersudut.

Cara penggunaan

Cara mengeluarkan baterai (lihat gambar K)

Untuk mengeluarkan baterai **1** tekan tombol pelepas baterai **2** dan tariklah baterai ke bawah supaya ke luar dari perkakas listrik. **Janganlah melakukannya dengan paksaan.**

Menghidupkan/matikan

Untuk **menghidupkan** perkakas listrik, dorongkan tombol untuk menghidupkan dan matikan **7** ke depan.

Untuk **mematikan** perkakas listrik, geser switch on/off **7** pada posisi „0“.

Mengendalikan banyaknya langkah

Dengan roda untuk penyetelan pendahuluan jumlah langkah **4** Anda bisa menyetelkan jumlah langkah sebelum mulai dengan pekerjaan dan bisa merubahnya selama pekerjaan.

Jumlah langkah yang diperlukan tergantung dari bahan yang dikerjakan dan syarat-syarat kerja dan bisa didapatkan dengan cara uji coba.

Kami anjurkan supaya jumlah langkah dikurangi pada waktu mengenakan mata gergaji pada benda yang dikerjakan serta selama memotong bahan sintetik dan aluminium.

Jika perkakas listrik digunakan untuk waktu yang lama dengan jumlah langkah yang rendah, perkakas listrik bisa menjadi sangat panas. Lepaskan mata gergaji dan biarkan perkakas listrik berjalan pada jumlah langkah maksimal selama kira-kira 3 menit supaya menjadi dingin.

Pelindungan terhadap pembebanan yang terlalu berat yang tergantung suhu

Pada penggunaan normal perkakas listrik tidak akan kelebihan beban. Pada saat kelebihan beban atau temperatur baterai melebihi batas yang diizinkan, kurangi putaran atau matikan perkakas listrik. Dengan berkurangnya putaran perkakas listrik, temperatur baterai akan turun hingga batas

40 | Bahasa Indonesia

yang diizinkan atau mengurangi beban pada perkakas dengan putaran penuh. Anda dapat mematikan perkakas listrik untuk mendinginkan baterai dan menyalakan kembali perkakas listrik dengan pematian daya otomatis.

Petanda untuk penjaga suhu/perlindungan terhadap pembebanan yang terlalu berat

Petanda LED merah **6** membantu Anda dalam upaya untuk melindungi baterai supaya tidak menjadi terlalu panas dan motor supaya tidak dibebankan terlalu berat.

Jika petanda LED **6 menyala merah menetap**, suhu dari baterai terlalu tinggi dan perkakas listrik padam secara otomatis.

- Matikan perkakas listrik.
- Biarkan baterai menjadi dingin dahulu, setelah itu Anda dapat melanjutkan pekerjaan dengan perkakas listrik.

LED **6 berkedip-kedip merah**, perkakas listrik memblok dan padam secara otomatis.

Tarikkan perkakas listrik keluar dari benda yang dikerjakan.

Segera setelah perkakas listrik tidak memblok, perkakas listrik melanjutkan pekerjaan dengan banyaknya langkah yang disetelkan sebelumnya.

Perlindungan terhadap pengosongan sama sekali

Baterai ion-Li dilindungi terhadap pengosongan sama sekali oleh „Electronic Cell Protection (ECP)“. Jika baterai kosong perkakas listrik dimatikan oleh pengaman: alat kerja berhenti memutar.

Menghidupkan lampu kerja LED

Anda dapat menyalakan lampu LED pengoperasian dengan tombol **3**. Pada keadaan normal lampu pengoperasian dimatikan.

Penghindar hidup ulang

Pelindung terhadap start ulang menghindarkan perkakas listrik hidup kembali secara tidak terkendali setelah pengadaan listrik terputus. Segera setelah pelindung terhadap start ulang diaktifkan, indikator temperatur/muatan berlebih **6** akan berkedip terus-menerus.

Untuk **menghidupkan kembali** perkakas listrik, tombol untuk menghidupkan dan mematikan **7** disetelkan pada posisi mati dan perkakas listrik dihidupkan kembali.

Petunjuk: Jika perkakas listrik dihidupkan dan dimatikan beberapa kali dalam waktu singkat, bisa jadi penghindar hidup ulang menjadi aktif dan perkakas listrik tidak hidup meskipun tombol untuk menghidupkan dan mematikan **7** digerakkan. Gerakan tombol untuk menghidupkan dan mematikan **7** ke posisi mati dan hidupkan kembali perkakas listrik.

Petunjuk-petunjuk untuk pemakaian

- ▶ **Jika mengerjakan benda-benda yang kecil atau tipis, gunakan selalu alas yang stabil.**

Pelindung terhadap singgungan

Pelindung terhadap singgungan **19** yang berada pada rumah motoran membuat supaya kita tidak menyinggung mata gergaji secara tidak sengaja selama pekerjaan, dan pelindung ini tidak boleh dilepaskan.

Ujung sisi luar yang bergelombang pada pengisap **16** mencegah agar tangan tidak tergelincir pada area pemotongan.

Pemotongan dalam (lihat gambar G)

- ▶ **Hanya bahan-bahan yang lunak seperti kayu, pelat gips berlapis karton dsb. yang boleh digergaji dengan cara pemotongan dalam!**

Untuk pemotongan dalam gunakanlah hanya mata gergaji yang pendek. Pemotongan dalam hanya bisa dilakukan dengan sudut pemotongan 0°.

Letakkan pinggiran depan dari pelat dasar **9** dari perkakas listrik pada benda yang hendak dikerjakan, – perhatikan bahwa mata gergaji **14** tidak kena pada benda yang hendak dikerjakan –, dan hidupkan perkakas listrik. Pada perkakas listrik dengan pengendalian jumlah langkah, setelkan jumlah langkah maksimal. Tekankan perkakas listrik keras-keras pada benda yang akan dikerjakan dan biarkan mata gergaji masuk perlahan-lahan.

Setelah seluruh permukaan pelat dasar **9** berada pada benda yang dikerjakan, teruskan menggergaji pada garis pemotongan.

Mistar kesejajaran dengan gergaji bundar (aksesori)

Pemotongan yang sejajar (lihat gambar H): Lepaskan baut pengunci **26** dan dorongkan skala dari mistar kesejajaran melalui pemegang **13** ke dalam pelat dasar. Setelkan lebar potongan sebagai nilai skala pada bagian dalam dari pelat dasar. Kencangkan kembali baut pengunci **26**.

Pemotongan yang bulat (lihat gambar I): Setelkan baut pengunci **26** pada sisi lainnya dari mistar kesejajaran. Dorongkan skala dari mistar kesejajaran melalui pemegang **13** ke dalam pelat dasar. Buatlah lubang bor dalam benda yang dikerjakan di pusat potongan bulat. Masukkan kaki jangka dari mistar kesejajaran **28** melalui lubang dalam dari mistar kesejajaran dan ke dalam lubang yang sudah dibor. Setelkan jari-jari sebagai nilai skala pada bagian dalam dari pelat dasar. Kencangkan kembali baut pengunci **26**.

Bahan pendingin/pelumas

Jika Anda menggergaji logam, terjadi panas sehingga sebaiknya Anda mengoleskan bahan pendingin atau bahan pelumas di garis potongan.

Rawatan dan servis

Rawatan dan kebersihan

- ▶ **Sebelum melakukan semua pekerjaan pada perkakas listrik (misalnya merawat, mengganti alat kerja dsb.) serta selama transpor atau penyimpanan, keluarkanlah baterai dari perkakas listrik.** Jika tombol untuk menghidupkan dan mematikan digerakkan tanpa sengaja, bisa terjadi luka-luka.
- ▶ **Perkakas listrik dan lubang ventilasi harus selalu dibersihkan supaya perkakas bisa digunakan dengan baik dan aman.**

Bersihkanlah pemegang mata gergaji secara berkala. Untuk melakukannya, keluarkan mata gergaji dari perkakas listrik dan ketok-ketokkan perkakas listrik dengan hati-hati pada permukaan yang datar.

Perkakas listrik yang sangat kotor mungkin tidak berfungsi dengan baik. Karena itu janganlah menggergaji bahan-bahan yang menyebabkan banyak debu dari bawah atau janganlah menggergaji bahan yang letaknya lebih tinggi dari kepala Anda.

Sebaiknya rol pengendalian **10** kadang-kadang dilumasi dengan setetes minyak.

Periksalah rol pengendalian **10** secara berkala. Jika rol pengendalian aus, harus digantikan oleh Service Center Bosch yang resmi.

Batalan plastik **12** harus segera diganti apabila kondisinya sudah aus.

Layanan pasca beli dan konseling terkait pengoperasian

Layanan pasca beli Bosch menjawab semua pertanyaan Anda terkait reparasi dan maintenance serta suku cadang produk ini. Gambar tiga dimensi dan informasi terkait suku cadang dapat Anda lihat di:

www.bosch-pt.com

Tim konseling pengoperasian dari Bosch dengan senang hati membantu Anda, jika Anda hendak bertanya tentang produk-produk kami dan aksesorisnya.

Jika Anda hendak menanyakan sesuatu atau memesan suku cadang, sebutkan selalu nomor model yang terdiri dari 10 angka dan tercantum pada label tipe pekasas.

Indonesia

PT. Multi Mayaka
Kawasan Industri Pulogadung
Jalan Rawa Gelam III No. 2
Jakarta 13930
Indonesia
Tel.: (021) 46832522
Fax: (021) 46828645/6823
E-Mail: sales@multimayaka.co.id
www.bosch-pt.co.id

Transpor

Pada baterai-baterai ion-Li yang digunakan diterapkan persyaratan terkait peraturan-peraturan tentang bahan-bahan yang berbahaya. Baterai-baterai dapat diangkut oleh penggunanya di jalanan tanpa harus memenuhi syarat-syarat tertentu.

Pada pengiriman oleh pihak ketiga (misalnya transportasi dengan pesawat udara atau perusahaan ekspedisi) harus ditaati syarat-syarat terkait kemasan dan pemberian tanda. Dalam hal ini, untuk mempersiapkan transportasi harus diminta dukungan seorang ahli bahan-bahan berbahaya.

Kirimkan baterai hanya jika rumahnya tidak rusak. Kontak-kontak yang terbuka harus ditutupi dengan pita perekat dan kemasan baterai sedemikian, sehingga baterai tidak bergerak-gerak di dalam kemasan.

Taatilah peraturan-peraturan nasional lainnya yang mungkin lebih rinci yang berlaku di negara Anda.

Cara membuang



Semua perkakas listrik, baterai, aksesoris dan kemasan sebaiknya didaur ulangkan sesuai dengan upaya untuk melindungi lingkungan hidup.

Janganlah membuang perkakas listrik, baterai isi ulang/baterai ke dalam sampah rumah tangga!

Baterai isi ulang/Baterai:



Ion-Li:

Perhatikanlah petunjuk-petunjuk dalam bab „Transpor“, halaman 41.

Perubahan dapat terjadi tanpa pemberitahuan sebelumnya.

Tiếng Việt

Các Nguyên Tắc An Toàn

Cảnh báo tổng quát cách sử dụng an toàn dụng cụ điện cầm tay

⚠ CẢNH BÁO **Đọc kỹ mọi cảnh báo an toàn và hướng dẫn.** Không tuân thủ mọi cảnh báo và hướng dẫn được liệt kê dưới đây có thể bị điện giật, gây cháy và/hay bị thương tật nghiêm trọng.

Hãy giữ tất cả tài liệu về cảnh báo và hướng dẫn để tham khảo về sau.

Thuật ngữ “dụng cụ điện cầm tay” trong phần cảnh báo là đề cập đến sự sử dụng dụng cụ điện cầm tay của bạn, loại sử dụng điện nguồn (có dây cắm điện) hay vận hành bằng pin (không dây cắm điện).

Khu vực làm việc an toàn

- ▶ **Giữ nơi làm việc sạch và đủ ánh sáng.** Nơi làm việc bừa bộn và tối tăm dễ gây ra tai nạn.
- ▶ **Không vận hành dụng cụ điện cầm tay trong môi trường dễ gây nổ, chẳng hạn như nơi có chất lỏng dễ cháy, khí đốt hay rác.** Dụng cụ điện cầm tay tạo ra các tia lửa nên có thể làm rác bén cháy hay bốc khói.
- ▶ **Không để trẻ em hay người đến xem đứng gần khi vận hành dụng cụ điện cầm tay.** Sự phân tâm có thể gây ra sự mất điều khiển.

An toàn về điện

- ▶ **Phích cắm của dụng cụ điện cầm tay phải thích hợp với ổ cắm. Không bao giờ được cải biến lại phích cắm dưới mọi hình thức. Không được sử dụng phích tiếp hợp nối tiếp đất (dây mát).** Phích cắm nguyên bản và ổ cắm đúng loại sẽ làm giảm nguy cơ bị điện giật.

42 | Tiếng Việt

- ▶ **Tránh không để thân thể tiếp xúc với đất hay các vật có bề mặt tiếp đất như đường ống, lò sưởi, hàng rào và tủ lạnh.** Có nhiều nguy cơ bị điện giật hơn nếu cơ thể bạn bị tiếp hay nối đất.
- ▶ **Không được để dụng cụ điện cầm tay ngoài mưa hay ở tình trạng ẩm ướt.** Nước vào máy sẽ làm tăng nguy cơ bị điện giật.
- ▶ **Không được lạm dụng dây dẫn điện.** Không bao giờ được nắm dây dẫn để xách, kéo hay rút phích cắm dụng cụ điện cầm tay. Không để dây gần nơi có nhiệt độ cao, dầu nhớt, vật nhọn bén hay bộ phận chuyển động. Làm hỏng hay cuộn rối dây dẫn làm tăng nguy cơ bị điện giật.
- ▶ **Khi sử dụng dụng cụ điện cầm tay ngoài trời, dùng dây nối thích hợp cho việc sử dụng ngoài trời.** Sử dụng dây nối thích hợp cho việc sử dụng ngoài trời làm giảm nguy cơ bị điện giật.
- ▶ **Nếu việc sử dụng dụng cụ điện cầm tay ở nơi ẩm ướt là không thể tránh được, dùng thiết bị ngắt mạch tự động (RCD) bảo vệ nguồn.** Sử dụng thiết bị ngắt mạch tự động RCD làm giảm nguy cơ bị điện giật.

An toàn cá nhân

- ▶ **Hãy tỉnh táo, biết rõ mình đang làm gì và hãy sử dụng ý thức khi vận hành dụng cụ điện cầm tay.** Không sử dụng dụng cụ điện cầm tay khi đang mệt mỏi hay đang bị tác động do chất gây nghiện, rượu hay được phẫn gây ra. Một thoáng mất tập trung khi đang vận hành dụng cụ điện cầm tay có thể gây thương tích nghiêm trọng cho bản thân.
 - ▶ **Sử dụng trang bị bảo hộ cá nhân.** Luôn luôn đeo kính bảo vệ mắt. Trang bị bảo hộ như khẩu trang, giày chống trượt, nón bảo hộ, hay dụng cụ bảo vệ tai khi được sử dụng đúng nơi đúng chỗ sẽ làm giảm nguy cơ thương tật cho bản thân.
 - ▶ **Phòng tránh máy khởi động bất ngờ.** Bảo đảm công tắc máy ở vị trí tắt trước khi cắm vào nguồn điện và/hay lắp pin vào, khi nhắc máy lên hay khi mang xách máy. Ngáng ngón tay vào công tắc máy để xách hay kích hoạt dụng cụ điện cầm tay khi công tắc ở vị trí mở dễ dẫn đến tai nạn.
 - ▶ **Lấy mọi chìa hay khóa điều chỉnh ra trước khi mở điện dụng cụ điện cầm tay.** Khóa hay chìa còn gắn dính vào bộ phận quay của dụng cụ điện cầm tay có thể gây thương tích cho bản thân.
 - ▶ **Không rướn người.** Luôn luôn giữ tư thế đứng thích hợp và thẳng bằng. Điều này tạo cho việc điều khiển dụng cụ điện cầm tay tốt hơn trong mọi tình huống bất ngờ.
 - ▶ **Trang phục thích hợp.** Không mặc quần áo rộng lủng thụng hay mang trang sức. Giữ tóc, quần áo và găng tay xa khỏi các bộ phận chuyển động. Quần áo rộng lủng thụng, đồ trang
- sức hay tóc dài có thể bị cuốn vào các bộ phận chuyển động.
- ▶ **Nếu có các thiết bị đi kèm để nối máy hút bụi và các phụ kiện khác, bảo đảm các thiết bị này được nối và sử dụng tốt.** Việc sử dụng các thiết bị gom hút bụi có thể làm giảm các độc hại liên quan đến bụi gây ra.

Sử dụng và bảo dưỡng dụng cụ điện cầm tay

- ▶ **Không được ép máy.** Sử dụng dụng cụ điện cầm tay đúng loại theo đúng ứng dụng của bạn. Dụng cụ điện cầm tay đúng chức năng sẽ làm việc tốt và an toàn hơn theo đúng tiến độ mà máy được thiết kế.
- ▶ **Không sử dụng dụng cụ điện cầm tay nếu như công tắc không tắt và mở được.** Bất kỳ dụng cụ điện cầm tay nào mà không thể điều khiển được bằng công tắc là nguy hiểm và phải được sửa chữa.
- ▶ **Rút phích cắm ra khỏi nguồn điện và/hay pin ra khỏi dụng cụ điện cầm tay trước khi tiến hành bất kỳ điều chỉnh nào, thay phụ kiện, hay cất dụng cụ điện cầm tay.** Các biện pháp ngăn ngừa như vậy làm giảm nguy cơ dụng cụ điện cầm tay khởi động bất ngờ.
- ▶ **Cất giữ dụng cụ điện cầm tay không dùng tới nơi trẻ em không lấy được và không cho người chưa từng biết dụng cụ điện cầm tay hay các hướng dẫn này sử dụng dụng cụ điện cầm tay.** Dụng cụ điện cầm tay nguy hiểm khi ở trong tay người chưa được chỉ cách sử dụng.
- ▶ **Bảo quản dụng cụ điện cầm tay.** Kiểm tra xem các bộ phận chuyển động có bị sai lệch hay kẹt, các bộ phận bị rạn nứt và các tình trạng khác có thể ảnh hưởng đến sự vận hành của máy. Nếu bị hư hỏng, phải sửa chữa máy trước khi sử dụng. Nhiều tai nạn xảy ra do bảo quản dụng cụ điện cầm tay tồi.
- ▶ **Giữ các dụng cụ cất bên và sạch.** Bảo quản đúng cách các dụng cụ cất có cạnh cắt bên làm giảm khả năng bị kẹt và dễ điều khiển hơn.
- ▶ **Sử dụng dụng cụ điện cầm tay, phụ kiện, đầu cài v.v., đúng theo các chỉ dẫn này, hãy lưu ý đến điều kiện làm việc và công việc phải thực hiện.** Sử dụng dụng cụ điện cầm tay khác với mục đích thiết kế có thể tạo nên tình huống nguy hiểm.

Sử dụng và bảo quản dụng cụ dùng pin

- ▶ **Chỉ được sạc lại với bộ nạp điện do nhà sản xuất chỉ định.** Bộ nạp điện thích hợp cho một loại pin có thể gây nguy cơ cháy khi sử dụng cho một loại pin khác.
- ▶ **Chỉ sử dụng dụng cụ điện cầm tay với loại pin được thiết kế đặc biệt dành riêng cho máy.** Sử dụng bất cứ loại pin khác có thể dẫn đến thương tật hay cháy.

- ▶ **Khi không sử dụng pin, để cách xa các vật bằng kim loại như kẹp giấy, tiền xu, chìa khoá, đinh, ốc vít hay các đồ vật kim loại nhỏ khác, thứ có thể tạo sự nối tiếp từ một đầu cực với một đầu cực khác.** Sự chập mạch của các đầu cực với nhau có thể gây bỏng hay cháy.
- ▶ **Bảo quản ở tình trạng tối, dung dịch từ pin có thể tửa ra; tránh tiếp xúc. Nếu vô tình chạm phải, hãy xối nước để rửa. Nếu dung dịch vào mắt, cần thêm sự hỗ trợ của y tế.** Dung dịch tiết ra từ pin có thể gây ngứa hay bỏng.

Bảo dưỡng

- ▶ **Đưa dụng cụ điện cầm tay của bạn đến thợ chuyên môn để bảo dưỡng, chỉ sử dụng phụ tùng đúng chủng loại để thay.** Điều này sẽ đảm bảo sự an toàn của máy được giữ nguyên.

Các cảnh Báo An Toàn cho loại Máy Cửa Xọc

- ▶ **Nắm giữ dụng cụ điện nơi phần nắm cách điện khi thực hiện việc gia công nơi dụng cụ cắt có thể chạm vào dây điện không nhìn thấy được hay chính dây của máy.** Dụng cụ cắt chạm vào dây "có điện" có thể làm cho các bộ phận kim loại không được bao bọc của dụng cụ điện "có điện" và có khả năng gây cho người sử dụng máy bị điện giật.
- ▶ **Để tay tránh xa khỏi phạm vi cắt. Không được tiếp xúc với phần bên dưới vật gia công.** Tiếp xúc với lưỡi cửa có thể dẫn đến việc bị thương tích.
- ▶ **Chỉ cho máy gia công vật liệu khi máy đã hoạt động.** Nếu không làm vậy thì sẽ có nguy cơ bị giật ngược do dụng cụ cắt bị kẹp chặt trong vật gia công.
- ▶ **Hãy lưu ý để đĩa 9 đã nằm an toàn trên vật liệu trong khi cửa.** Lưỡi cửa bị kẹp chặt có thể bị gãy hay gây ra sự giật ngược.
- ▶ **Khi đã cắt xong, tắt máy và sau đó rút lưỡi cửa ra khỏi mạch cắt chỉ sau khi lưỡi cửa đã ngừng chuyển động hoàn toàn.** Thực hiện như vậy bạn có thể tránh được sự giật ngược và có thể đặt máy xuống một cách an toàn.
- ▶ **Chỉ sử dụng lưỡi cửa còn nguyên vẹn, có tình trạng hoàn hảo.** Lưỡi cửa bị cong hay cùn có thể bị gãy, ảnh hưởng xấu đến sự cắt, và có thể gây ra sự dội ngược.
- ▶ **Không được hãm lưỡi cửa cho dừng lại bằng cách tạo lực ép lên hông lưỡi cửa sau khi tắt máy.** Lưỡi cửa có thể bị hỏng, gãy hay gây ra giật ngược.
- ▶ **Sử dụng thiết bị dò tìm thích hợp để xác định các đường hay ống dẫn công ích nằm âm**

trong khu vực làm việc hay liên hệ với cty công trình phúc lợi để nhờ giúp đỡ. Tiếp xúc với dây điện có thể dẫn đến cháy và bị điện giật. Chạm đường dẫn khí đốt có thể gây nổ. Làm thủng ống dẫn nước có thể làm hư hại tài sản hay có thể gây ra điện giật.

- ▶ **Kẹp chặt vật gia công.** Vật gia công được kẹp bằng một thiết bị kẹp hay bằng êtô thì vững chắc hơn giữ bằng tay.
- ▶ **Luôn luôn đợi cho máy hoàn toàn ngừng hẳn trước khi đặt xuống.** Dụng cụ lắp vào máy có thể bị kẹp chặt dẫn đến việc dụng cụ điện cầm tay bị mất điều khiển.

- ▶ **Không được tháo pin ra.** Nguy cơ bị chập mạch.



Bảo vệ pin không để bị làm nóng, ví dụ, chống để lâu dài dưới ánh nắng gay gắt, lửa, nước, và sự ẩm ướt. Sự nguy hiểm của nổ.

- ▶ **Trong trường hợp pin bị hỏng hay sử dụng sai cách, hơi nước có thể bốc ra. Hãy làm cho thông thoáng khí và trong trường hợp bị đau phải nhờ y tế chữa trị.** Hơi nước có thể gây ngứa hệ hô hấp.
- ▶ **Chỉ sử dụng pin cùng chung với dụng cụ điện cầm tay Bosch của bạn.** Chỉ riêng với cách này đã bảo vệ cho pin không bị nguy hiểm do quá tải.
- ▶ **Chỉ sử dụng pin chính hãng Bosch có điện thế được ghi trên nhãn máy dụng cụ điện của bạn.** Khi sử dụng các loại pin khác, vd. hàng nhái, pin tân trang hoặc pin của hãng khác, có nguy cơ bị thương tích do pin gây ra cũng như làm hư hỏng tài sản do việc pin bị nổ.

Mô Tả Sản Phẩm và Đặc Tính Kỹ Thuật



Đọc kỹ mọi cảnh báo an toàn và mọi hướng dẫn. Không tuân thủ mọi cảnh báo và hướng dẫn được liệt kê dưới đây có thể bị điện giật, gây cháy và/hay bị thương tật nghiêm trọng.

Dành sử dụng cho

Máy được thiết kế để cắt hay cửa lộng dành cho gỗ, nhựa mù, kim loại, gốm dạng tấm và cao su khi chúng được ốp chất vào vật gia công. Máy thích hợp để thực hiện những đường cắt thẳng hay cong có góc mội lên đến 45°. Nên tuân thủ các khuyến nghị loại lưỡi cửa nên sử dụng.

Đèn của dụng cụ điện này được xác định dùng để chiếu sáng khu vực làm việc trực tiếp của dụng cụ này và không thích hợp để chiếu sáng phòng trong hộ gia đình.

44 | Tiếng Việt

Biểu trưng của sản phẩm

Sự đánh số các biểu trưng của sản phẩm là để tham khảo hình minh họa của máy trên trang hình ảnh.

- 1 Pin
- 2 Núm tháo pin
- 3 Phím đèn "PowerLight"
- 4 Núm xoay chọn trước tần suất nhịp chạy
- 5 Đèn báo sự kiểm soát dòng điện nạp
- 6 Đèn báo kiểm soát nhiệt độ/bảo vệ chống quá tải
- 7 Công tắc Tắt/Mở
- 8 Gạt chỉnh đặt động tác xoay
- 9 Đế đĩa
- 10 Bánh lăn định hướng
- 11 Thanh chạy
- 12 Đế trượt chất liệu tổng hợp
- 13 Cờ chỉnh đặt của dưỡng cặp cạnh
- 14 Lưỡi cưa*
- 15 "PowerLight" (Đèn Chiếu Sáng)
- 16 Chụp hút
- 17 Tay nắm (bề mặt nắm cách điện)
- 18 Núm bẫy kẹp nhanh SDS dùng để nhà lưỡi cưa
- 19 Thanh bảo vệ chống tiếp xúc
- 20 Phần nối máy hút
- 21 Vòi ống máy hút*
- 22 Miếng chặn chống tưa
- 23 Mũi để trượt chất liệu tổng hợp
- 24 Vít
- 25 Thước đo góc vuông mỏng
- 26 Vít khóa dưỡng cặp cạnh*
- 27 Dưỡng cặp cạnh với lưỡi cắt tròn*
- 28 Đầu định tâm dùng cắt vòng tròn*
- 29 Khóa lục giác

*Phụ tùng được trình bày hay mô tả không phải là một phần của tiêu chuẩn hàng hóa được giao kèm theo sản phẩm. Bạn có thể tham khảo tổng thể các loại phụ tùng, phụ kiện trong chương trình phụ tùng của chúng tôi.

Thông số kỹ thuật

Cửa lộng không dây	GST 10,8 V-Li	
Mã số máy	3 601 EA1 0..	
Điện thế danh định	V=	10,8
Tốc độ khoảng chạy không tải n_0	spm	1500 – 2800
Nhịp chạy	mm	18
Năng suất cắt, tối đa		
- vào gỗ	mm	70
- vào nhôm	mm	3
- vào thép không hợp kim	mm	3
* tùy vào loại pin lốc đang sử dụng		

Cửa lộng không dây**GST 10,8 V-Li**

Cắt cạnh xiên (trái/phải), tối đa	°	45
Trọng lượng theo Qui trình EPTA-Procedure 01:2014 (chuẩn EPTA 01:2014)	kg	1.5 - 1.7*
* tùy vào loại pin lốc đang sử dụng		

Sự lắp vào

► **Trước khi tiến hành bất cứ công việc gì với máy (vd., bảo dưỡng, thay dụng cụ v.v..) cũng như khi vận chuyển hay lưu kho, tháo pin ra khỏi dụng cụ điện.** Có nguy cơ gây thương tích khi vô tình làm kích hoạt công tắc Tắt/Mở.

Nạp điện pin

► **Chỉ nên sử dụng các bộ nạp điện pin được liệt kê trong trang phụ kiện.** Chỉ có các bộ nạp điện pin này mới thích hợp với pin lithium ion dùng cho dụng cụ điện cầm tay của bạn.

Ghi Chú: Pin giao kèm máy chỉ được nạp điện một phần. Để đảm bảo pin có đầy đủ điện dung, nạp điện hoàn toàn cho pin bằng bộ nạp điện pin trước khi bạn sử dụng dụng cụ điện cho lần đầu tiên.

Pin Lithium ion có thể nạp điện bất cứ lúc nào mà vẫn không làm giảm tuổi thọ của pin. Sự làm gián đoạn qui trình nạp điện không làm cho pin bị hư hỏng.

Pin Li-on được bảo vệ ngăn sự phóng điện quá lớn nhờ vào "Bộ phận Điện tử Bảo vệ Pin (Electronic Cell Protection = ECP)". Khi pin hết điện, máy tự tắt nhờ vào thiết bị bảo vệ mạch: Dụng cụ đang lắp trong máy dừng quay hẳn.

Pin được trang bị bộ phận kiểm soát nhiệt độ NTC, thiết bị này chỉ cho phép nạp điện trong phạm vi nhiệt độ cho phép ở giữa 0 °C và 45 °C. Tuổi thọ của pin nhờ đó mà được nâng cao.

Tuân thủ các chú thích dành cho việc thải bỏ.

Đèn Báo Sự Kiểm Soát Dòng Điện Nạp

Ba đèn LED màu xanh của màn hình hiển thị tình trạng sạc pin 5 chỉ ra tình trạng sạc của pin 1. Màn hình hiển thị tình trạng sạc pin chỉ sáng 5 giây sau khi bắt đầu hoạt động.

LED	Điện dung
Sáng liên tục 3 x màu xanh lá	≥ 2/3
Sáng liên tục 2 x màu xanh lá	≥ 1/3
Sáng liên tục 1 x màu xanh lá	< 1/3
Chớp sáng 1 x màu xanh lá	Sự Dự Phòng
Đèn nhấp 3 lần màu xanh	trống rỗng

Đèn LED không sáng sau khi mở máy có nghĩa là pin bị hỏng và phải được thay thế.

Thay/Lắp Lưỡi Cưa

- **Khi lắp lưỡi cưa, hãy mang găng bảo vệ tay vào.**
Có nguy cơ bị thương tích khi chạm vào lưỡi cưa.

Chọn Lưỡi Cưa

Phần khuyến nghị tổng quát về việc sử dụng lưỡi cưa có thể tìm thấy ở phần cuối của các hướng dẫn này. Chỉ nên sử dụng các lưỡi cưa có chuỗi chữ T. Lưỡi cưa không được dài hơn yêu cầu cần có để cắt.

Hãy sử dụng lưỡi cưa mỏng để cắt các đường cong hẹp.

Lắp Lưỡi Cưa Vào (xem hình A)

- **Làm sạch chuỗi của lưỡi cưa trước khi lắp vào.**
Chuỗi không sạch không thể bắt chắc an toàn.

Lắp lưỡi cưa **14** vào trong thanh chạy **11** cho đến khi ăn khớp. Nút bẫy thay nhanh SDS **18** tự động kẹp chặt chuỗi và lưỡi cưa được khóa lại. Không được dùng tay để nhấn nút bẫy **18** ra phía sau, nếu làm thế bạn có thể làm hỏng máy.

Trong khi lắp lưỡi cưa, hãy lưu ý số lượng của lưỡi cưa được đặt nằm trong đường rãnh của bánh lăn định hướng **10**.

- **Kiểm tra lưỡi cưa có được bắt chắc vào.** Lưỡi cưa gắn vào còn lỏng có thể rơi ra và gây thương tích.

Bung Lưỡi Cưa Ra (xem hình B)

- **Khi bung lưỡi cưa, giữ máy ở tư thế sao cho không để người và thú vật có thể bị thương tích do lưỡi cưa bị bung ra.**

Xoay hết cần thay nhanh SDS **18** hướng về phía bộ phận chống tiếp xúc **19**. Lưỡi cưa được nhà và bật ra.

Hút Dăm/Bụi

- Mạt bụi từ các vật liệu được sơn phủ ngoài có chứa chì trên một số loại gỗ, khoáng vật và kim loại có thể gây nguy hại đến sức khoẻ con người. Đụng chạm hay hít thở các bụi này có thể làm người sử dụng hay đứng gần bị dị ứng và/hoặc gây nhiễm trùng hệ hô hấp.

Một số mạt bụi cụ thể, ví dụ như bụi gỗ sồi hay đậu, được xem là chất gây ung thư, đặc biệt là có liên quan đến các chất phụ gia dùng xử lý gỗ (chất cromat, chất bảo quản gỗ). Có thể chỉ nên để thợ chuyên môn gia công các loại vật liệu có chứa amiăng.

- Cách xa ở mức có thể được, sử dụng hệ thống hút thích hợp cho loại vật liệu.
- Tạo không khí thông thoáng nơi làm việc.
- Khuyến nghị nên mang mặt nạ phòng độc có bộ lọc cấp P2.

Tuân thủ các qui định của quốc gia bạn liên quan đến loại vật liệu gia công.

- **Tránh không để rác tích tụ tại nơi làm việc.** Rác có thể dễ dàng bắt lửa.

Nối Thiết Bị Hút Bụi (xem hình C - E)

Lắp phần nối máy hút **20** vào trong khoảng trống của đế đĩa **9**.

Lắp vòi hút **21** (phụ kiện) lên trên phần nối máy hút **20**. Nối vòi hút **21** vào máy hút bụi (phụ kiện). Phần miêu tả chung cho sự ráp nối các loại máy hút bụi khác nhau có thể tra cứu ở phần cuối các hướng dẫn sử dụng này.

Để đạt được hiệu suất hút bụi tốt nhất, hãy sử dụng miếng chặn chống tưa **22** nếu có thể.

Máy hút bụi phải thích hợp dành cho loại vật liệu đang gia công.

Khi hút bụi khô loại đặc biệt gây nguy hại đến sức khỏe hoặc gây ra ung thư, hãy sử dụng máy hút bụi loại chuyên dụng.

Cắm chụp xả **16** lên trên tấm chắn tiếp xúc **19**.

Miếng Chặn Chống Tưa (xem hình E)

Tấm chắn mảnh vụn **22** có thể giúp tránh việc cọ sần mặt trên khi cưa gỗ. Tấm chắn mảnh vụn có thể chỉ được sử dụng với một số loại lưỡi cưa xác định và chỉ với góc cắt từ 0°.

Gắn miếng chặn chống tưa **22** từ phía trước vào bên trong đế đĩa **9**.

Tấm chắn mảnh vụn **22** cũng có thể đặt trên để trượt chất liệu tổng hợp đã được lắp sẵn **12**.

Để Trượt (xem hình F)

Hãy sử dụng để trượt chất liệu tổng hợp trong quá trình gia công bề mặt trên nhạ cảm **12**.

Để lắp để trượt chất liệu tổng hợp **12** hãy để cạnh trước của tấm đế **9** dưới mũi của để trượt chất liệu tổng hợp **23**. Sau đó hãy ấn dụng cụ điện để nó khớp lên trên để trượt chất liệu tổng hợp **12**.

Khi sử dụng để trượt chất liệu tổng hợp **12** tấm chắn mảnh vụn **22** không được sử dụng vào chân đế **9**, mà vào để trượt.

Vận Hành

Chế Độ Hoạt Động

- **Trước khi tiến hành bất cứ công việc gì với máy (vd., bảo dưỡng, thay dụng cụ v.v..) cũng như khi vận chuyển hay lưu kho, tháo pin ra khỏi dụng cụ điện.** Có nguy cơ gây thương tích khi vô tình làm kích hoạt công tắc Tắt/Mở.

Chỉnh Đặt Động Tác Xoay

Sự điều chỉnh được động tác xoay vòng cho phép đáp ứng được tốc độ cắt, năng suất cắt và hình dạng cắt đối với vật liệu đang được gia công một cách tốt nhất.

Động tác xoay có thể điều chỉnh được bằng cần bẫy điều chỉnh **8**, ngay cả khi đang vận hành.

46 | Tiếng Việt

Tắt động tác xoay vòng (cấp 0): Không có động tác xoay vòng

Động tác xoay vòng cấp I: Động tác xoay vòng nhỏ

Động tác xoay vòng cấp II: Động tác xoay vòng lớn

Sự chỉnh đặt động tác xoay tương ứng cho từng ứng dụng cụ thể sao cho tốt nhất có thể xác định thông qua việc chạy thử thực tế. Các khuyến nghị cho sự ứng dụng như sau:

- Chọn đặt động tác xoay vòng thấp (hay tắt đi) để đường cắt có cạnh mịn và sạch láng.
- Đối với các vật liệu mỏng như thép tấm, tắt động tác xoay vòng đi.
- Đối với các vật liệu cứng như thép, vận hành với động tác xoay vòng thấp.
- Đối với các loại vật liệu mềm và khi cửa dọc theo số, vận hành với động tác xoay vòng tối đa.

Điều chỉnh Góc Cắt (xem hình J)

Đĩa đĩa **9** có thể xoay 45° về trái hay phải để cắt góc mỏng.

Tháo phần nối máy hút **20**.

Ở góc vát chéo 0° có một chốt ở trong hốc lõm tương ứng.

Nới lỏng ốc vít **24** bằng cờ lê lục giác **29** cho đến khi chốt **9** có thể trượt về hướng pin **1**. Hãy trượt chốt vào rãnh dẫn.

Để điều chỉnh góc vát chéo hãy xoay chân đế **9** tương ứng với thang chia độ **25** đến vị trí mong muốn. Với sự giúp đỡ của thước đo góc, mỗi góc có thể được điều chỉnh tới 45° .

Siết chặt vít lại **24** như cũ.

Không thể sử dụng phần nối máy hút **20** và miếng chặn chống tưa **22** để cắt góc xiên.

Bắt Đầu Vận Hành

Tháo Pin (xem hình K)

Để lấy pin ra **1** nhấn nút nhà **2** và kéo hết pin xuống. **Không dùng sức.**

Bật Mở và Tắt

Để **khởi động** máy, đẩy công tắc Tắt/Mở **7** về phía trước.

Để **tắt** dụng cụ điện, hãy trượt nút Bật/ Tắt **7** ra vị trí "0".

Kiểm Soát Tần Suất Nhịp Chạy

Với núm xoay chọn trước tần suất nhịp chạy **4** tần suất nhịp chạy có thể chỉnh đặt trước và thay đổi trong lúc đang hoạt động.

Tần suất nhịp chạy cần có tốt nhất tùy thuộc vào loại vật liệu và điều kiện làm việc và có thể xác định thông qua việc chạy thử thực tế.

Khuyến nghị nên làm giảm tần suất nhịp chạy khi lưỡi cưa bắt đầu ăn vào vật liệu cứng như khi cưa nhựa mủ hay nhôm.

Sau một thời gian dài vận hành có tần suất nhịp chạy thấp, máy có thể bị nóng lên một cách đáng kể. Tháo lưỡi cưa ra khỏi máy và để cho máy nguội xuống bằng cách cho máy chạy với tần suất chạy tối đa khoảng 3 phút.

Bảo Vệ Chống Quá Tải Dựa Trên Nhiệt Độ

Trong quá trình sử dụng sắp tới, không được để dụng cụ điện bị quá tải. Khi trọng tải quá nặng hoặc vượt qua phạm vi nhiệt độ pin cho phép, chỉ số vòng quay sẽ giảm hoặc dụng cụ điện bị tắt. Trong lúc chỉ số vòng quay giảm, dụng cụ điện chỉ chạy với số vòng quay tối đa sau khi đạt nhiệt độ pin cho phép hoặc khi trọng tải được giảm bớt. Với việc tự ngắt, hãy tắt dụng cụ điện, để pin nguội và bật lại dụng cụ điện lần nữa.

Đèn Báo Kiểm Soát Nhiệt Độ/Bảo Vệ Chống Quá Tải

Đèn LED đỏ **6** sẽ giúp cho bạn trong việc bảo vệ pin chống sự quá nhiệt và chống sự quá tải cho mô-tơ. Khi đèn báo LED **6 sáng đỏ liên tục**, nhiệt độ của pin bị quá cao và máy tự động tắt.

- Tắt dụng cụ điện.
- Để cho pin nguội xuống trước khi tiếp tục làm việc.

6 nháy sáng đỏ, dụng cụ điện bị chèn chặn và tự động tắt.

Lấy dụng cụ điện ra khỏi vật gia công.

Ngay sau khi giải quyết được sự chèn chặn, dụng cụ điện sẽ tiếp tục hoạt động ở tần suất nhịp chạy đã định.

Bảo Vệ Chống Sự Phóng Điện Quá Nhiều

Pin Li-on được bảo vệ ngăn sự phóng điện quá lớn nhờ vào "Bộ phận Điện tử Bảo vệ Pin (Electronic Cell Protection = ECP)". Khi pin hết điện, máy tự tắt nhờ vào thiết bị bảo vệ mạch: Dụng cụ đang lắp trong máy dừng quay hẳn.

Mở đèn LED Rọi Sáng Phạm Vi Gia Công

Với nút này **3** bạn có thể bật chế độ ánh sáng làm việc của đèn LED. Chế độ ánh sáng làm việc sẽ được mặc định tắt.

Chống sự khởi động lại

Sự bảo vệ sự tái khởi động ngăn ngừa sự khởi động không được chủ động kiểm soát của máy sau khi mất điện. Ngay khi chế độ bảo vệ việc khởi động lại được hoạt động, màn hình hiển thị kiểm soát nhiệt độ/ngăn chặn quá tải sẽ nháy **6** không ngừng.

Để **vận hành lại**, bật công tắc Tắt/Mở **7** về vị trí Tắt và khởi động máy lại.

Ghi Chú: Khi tắt và mở máy lại thật nhanh, có khả năng bộ phận bảo vệ tái khởi động được kích hoạt; điều này sẽ ngăn không cho dụng cụ điện khởi động dù cho công tắc Tắt/Mở **7** đã được khởi hoạt. Chính đặt công tắc Tắt/Mở **7** về vị trí tắt, và sau đó mở cho dụng cụ điện hoạt động trở lại.

Hướng Dẫn Sử Dụng

- ▶ **Khi cửa vật gia công nhỏ hay mỏng, luôn luôn kèm giữ thật chắc.**

Thanh Bảo Vệ Chống Tiếp Xúc

Thanh bảo vệ chống tiếp xúc **19** dính liền vào khung máy để ngăn ngừa sự vô ý chạm phải lưỡi cửa trong quá trình vận hành và có thể không được tháo ra.

Các cạnh ngoài được uốn cong trên chụm xỏ **16** ngăn ngừa việc tay bị trượt vào khu vực cửa.

Cắt Xọc (xem hình G)

- ▶ **Cắt xọc có thể chỉ được ứng dụng cho các loại vật liệu mềm, như gỗ, thạch cao tấm v.v..!**

Chỉ sử dụng lưỡi cửa ngắn để thực hiện việc cắt xọc. Sự cắt xọc có thể thực hiện được khi chỉnh đặt góc mỏng ở 0°.

Đặt máy với phần cạnh trước của đế đĩa **9** lên trên vật gia công mà không để lưỡi cửa **14** chạm vào vật gia công rồi mở máy. Đối với máy có phần điều khiển tấn suất nhịp chạy, chọn tấn suất nhịp chạy tối đa. Giữ chặt máy tựa lên vật gia công rồi hạ nghiêng máy xuống, từ từ đưa lưỡi cửa xọc vào vật gia công. Khi đế đĩa **9** hoàn toàn nằm lên trên vật gia công, cứ tiếp tục cửa dọc theo vạch cắt theo yêu cầu.

Dưỡng Cặp Cạnh Với Lưỡi Cắt Tròn (phụ tùng)

Cắt Song Song (xem hình H): Nới lỏng vít khóa **26** và đẩy thước đo của dưỡng cặp cạnh qua vạch định cỡ **13** nằm trong đế đĩa. Chỉnh đặt độ rộng muốn có giống như trị số trên thước chia độ trên biên trong của cạnh đế đĩa. Siết chặt vít khóa **26**.

Cắt Vòng Tròn (xem hình I): Chỉnh đặt vít khóa **26** ở cạnh bên kia của dưỡng cặp cạnh. Đẩy thước đo của dưỡng cặp cạnh qua vạch định cỡ **13** nằm ở đế đĩa. Khoan một lỗ giữa tâm vật gia công nằm trong phần bị cưa. Lắp đỉnh định tâm **28** luồn qua phần trống bên trong dưỡng cặp cạnh và vào trong lỗ khoan. Chỉnh đặt khoảng cách của bán kính giống như trị số của thước chia độ trên biên trong của cạnh đế đĩa. Siết chặt vít khóa **26**.

Dung dịch làm mát/Bôi trơn

Khi cưa kim loại vật liệu gia công bị nóng lên, do đó; nên bôi dung dịch làm mát/bôi trơn dọc theo đường cắt.

Bảo Dưỡng và Bảo Quản

Bảo Dưỡng Và Làm Sạch

- ▶ **Trước khi tiến hành bất cứ công việc gì với máy (vd., bảo dưỡng, thay dụng cụ v.v..) cũng như khi vận chuyển hay lưu kho, tháo pin ra khỏi dụng cụ điện.** Có nguy cơ gây thương tích khi vô tình làm kích hoạt công tắc Tắt/Mở.
- ▶ **Để được an toàn và máy hoạt động đúng chức năng, luôn luôn giữ máy và các khe thông gió được sạch.**

Làm sạch phần lắp lưỡi cửa thường xuyên. Để thực hiện, lấy lưỡi cửa trong máy ra và gỡ nhẹ máy xuống chỗ có bề mặt phẳng.

Máy bị quá đơ có thể làm cho sự hoạt động bị trục trặc. Vì vậy, không nên cưa vật liệu tạo nhiều bụi ở mặt dưới vật liệu hoặc cao quá đầu.

Thỉnh thoảng bôi trơn bánh lăn định hướng **10** bằng một giọt nhớt máy.

Kiểm tra bánh lăn định hướng **10** thường xuyên. Nếu bị mòn, phải đưa đến đại lý bảo hành-bảo trì do Bosch ủy nhiệm để thay.

Để trượt chất liệu tổng hợp **12** nên được thay thế, khi nó bị mòn.

Dịch Vụ Sau Khi Bán và Dịch Vụ Ứng Dụng

Bộ phận phục vụ hàng sau khi bán của chúng tôi sẽ trả lời các câu hỏi liên quan đến việc bảo trì và sửa chữa các sản phẩm cũng như các phụ tùng thay thế của bạn. Hình ảnh chi tiết và thông tin phụ tùng thay thế có thể tìm hiểu theo địa chỉ dưới đây:

www.bosch-pt.com

Bộ phận dịch vụ ứng dụng Bosch sẽ hân hạnh trả lời các câu hỏi liên quan đến các sản phẩm của chúng tôi và linh kiện của chúng.

Trong mọi thư từ giao dịch và đơn đặt hàng phụ tùng, xin vui lòng luôn viết đủ 10 con số đã được ghi trên nhãn máy.

Việt Nam

Công ty Trách Nhiệm Hữu Hạn Robert Bosch
Việt Nam, PT/SVN
Tầng 10, 194 Golden Building
473 Điện Biên Phủ
Phường 25, Quận Bình Thạnh
Thành Phố Hồ Chí Minh
Việt Nam
Tel.: (08) 6258 3690 Ext 413
Fax: (08) 6258 3692
hieu.lagia@vn.bosch.com
www.bosch-pt.com

48 | Tiếng Việt**Vận Chuyển**

Pin có chứa lithium-ion là đối tượng phải tuân theo các quy định của Pháp Luật về Hàng Hóa Nguy Hiểm. Người sử dụng có thể vận chuyển pin bằng đường bộ mà không cần có thêm yêu cầu nào khác. Khi được vận chuyển thông qua bên thứ ba (vd. vận chuyển bằng đường hàng không hay đại lý giao nhận), phải tuân theo các yêu cầu đặc biệt về đóng gói và dán nhãn. Để chuẩn bị cho món hàng sẽ được gửi đi, cần tham khảo ý kiến của chuyên gia về vật liệu nguy hiểm.

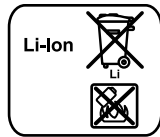
Chỉ gửi pin đi khi vỏ ngoài không bị hư hỏng. Dán băng keo hay che kín các điểm tiếp xúc để hở và đóng gói pin cách sao cho pin không thể xô dịch khi nằm trong bao bì được.

Cũng xin vui lòng tuân theo quy định chi tiết có thể có của mỗi quốc gia.

Thải bỏ

Máy, pin nạp điện lại được, phụ kiện và bao bì phải được phân loại để tái chế theo hướng thân thiện với môi trường.

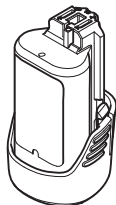
Không được vứt bỏ dụng cụ điện, pin/pin nạp điện lại được vào chung với rác sinh hoạt!

Pin lỏng/pin:**Li-ion:**

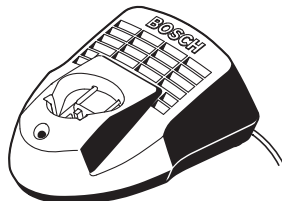
Xin vui lòng tuân thủ theo thông tin dưới đây "Vận Chuyển", trang 48.

Được quyền thay đổi nội dung mà không phải thông báo trước.

speed for Wood	T 144 D	<i>fast CUT</i>	
speed for Wood	T 244 D	<i>fast CUT</i>	
precision for Wood	T 144 DP		
clean for Wood	T 101 B	<i>clean CUT</i>	
extra-clean for Wood	T 308 B	<i>extra clean CUT</i>	
extra-clean for HardWood	T 308 BF	<i>extra clean CUT</i>	
special for Laminate	T 101 BIF	<i>clean CUT</i>	
basic for Metal	T 118 B		
PROGRESSOR for Metal	T 123 X	<i>fast CUT</i>	
special for Alu	T 127 D	<i>fast CUT</i>	
PROGRESSOR for Wood and Metal	T 345 XF	<i>fast CUT</i>	

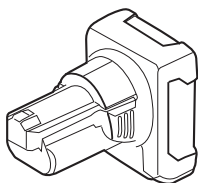


10,8 V (Li-Ion)

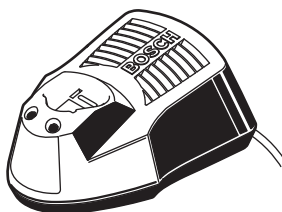


**AL 1115 CV
(3,6-10,8 V)**

- 2 607 225 514 (IN)
- 2 607 225 516 (MY, SG)
- 2 607 225 518 (AU)
- 2 607 225 522 (TW)
- 2 607 225 524 (JP)
- 2 607 225 526 (KO)
- 2 607 225 530 (CN)

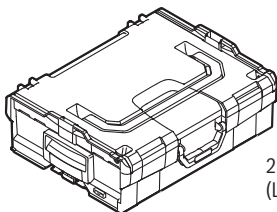


10,8 V (Li-Ion)

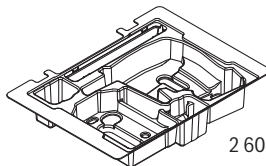


**AL 1130 CV
(10,8 V)**

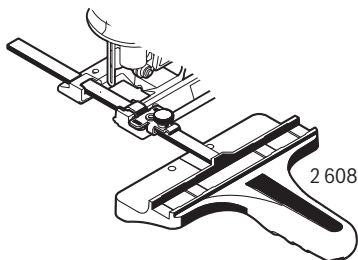
- 1 600 Z00 01P (AU)
- 1 600 A00 16L (KO)
- 1 600 A00 16M (JP)
- 1 600 A00 16N (CN)
- 1 600 A00 16P (TW)
- 1 600 A00 16R (IN)
- 1 600 A00 16S (MY, SG)



2 608 438 691
(L-BOXX 102)



2 608 438 121



2 608 040 289

