

Spring Plungers pin style, hexagon socket, steel pin, standard end pressure, metric

Item description/product images

Description

Material:

Body in steel quality class 5.8.

Pressure pin in steel.

Spring in spring steel class D.

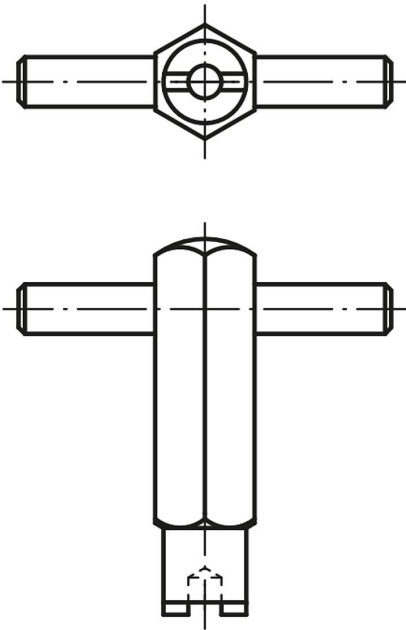
Version:

Black oxide finish.

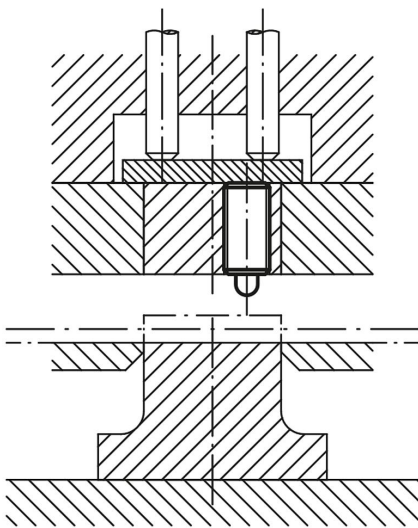
Pressure pin hardened.

Drawing reference:

1) grub screw glued in

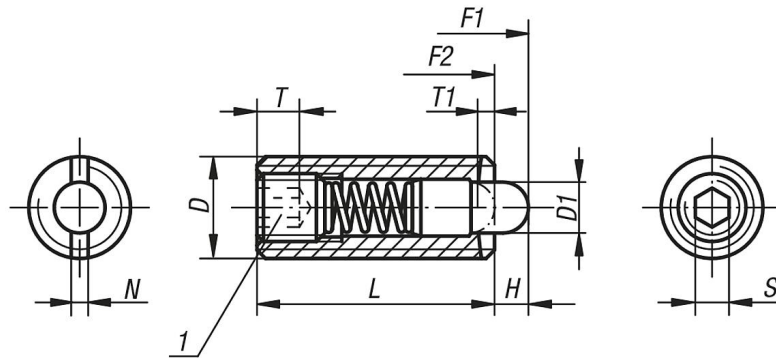


Spring plunger
sectional view



Spring Plungers pin style, hexagon socket, steel pin, standard end pressure, metric

Drawings



Item No.	D	D1	L	H	T	T1	N	S	Spring force initial pressure F1 approx. N	Spring force final pressure F2 approx. N	Item No. Assembly key
K0317.03	M3	1	10	1,5	1,5	1	0,4	0,7	0,5	3	K0317.903
K0317.04	M4	1,5	15	1,5	2	0,6	0,6	1,3	5	16	K0317.904
K0317.05	M5	2,4	18	2,3	2	0,8	0,8	1,5	6	20	K0317.905
K0317.06	M6	2,7	20	2,5	2,5	1	1	2	7	20	K0317.906
K0317.08	M8	3,5	22	3	3	1,4	1,2	2,5	9	35	K0317.908
K0317.10	M10	4	22	3	3,5	1,4	1,6	3	9	35	K0317.910
K0317.12	M12	6	28	4	5	2	2	4	12	55	K0317.912
K0317.16	M16	7,5	32	5	6	2,5	2,5	5	45	100	K0317.916
K0317.20	M20	10	40	7	8	3	2,5	6	60	120	-
K0317.24	M24	12	52	10	10	3	2,5	8	80	160	-