

Robert Bosch Power Tools GmbH
70538 Stuttgart
GERMANY

www.bosch-pt.com

1 609 92A 3P5 (2016.12) T / 47



1 609 92A 3P5

GSA 18V-32 Professional







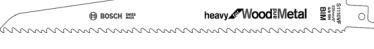













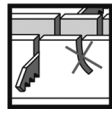

- en** Original instructions
- cn** 正本使用说明书
- tw** 原始使用說明書
- ko** 사용 설명서 원본
- th** หนังสือคู่มือการใช้งานฉบับต้นแบบ
- id** Petunjuk-Petunjuk untuk Penggunaan Orisinal
- vi** Bản gốc hướng dẫn sử dụng

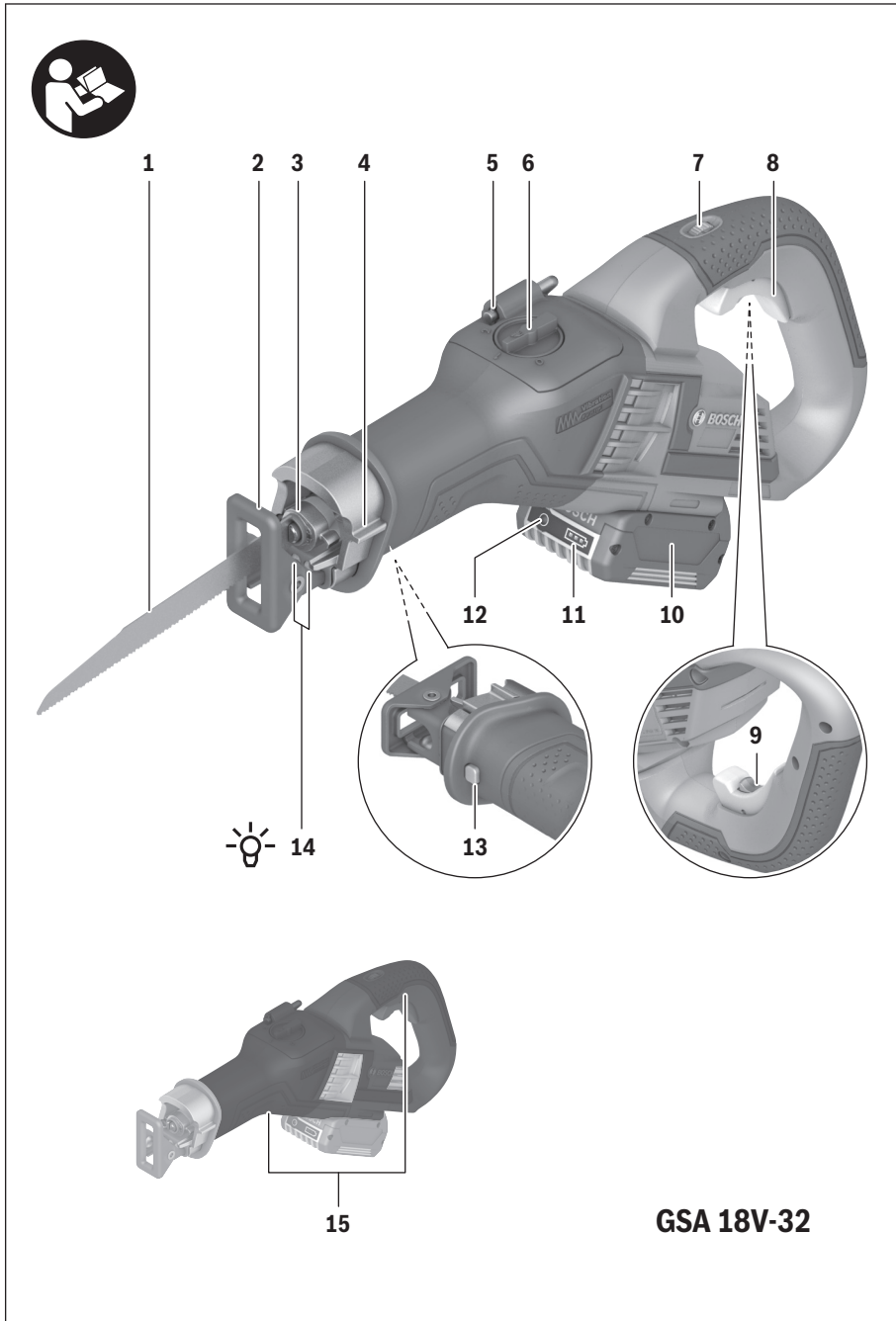


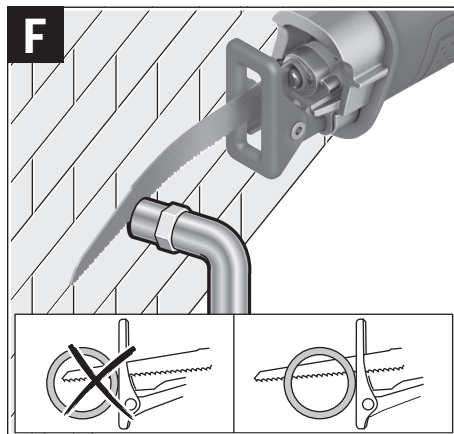
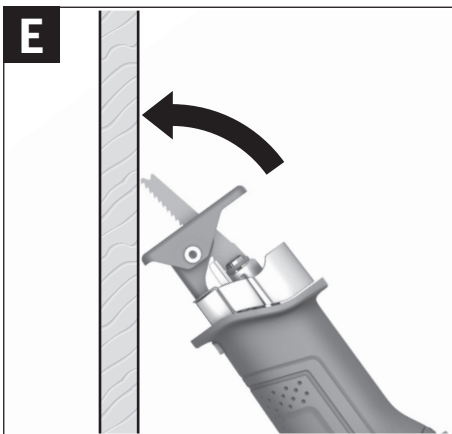
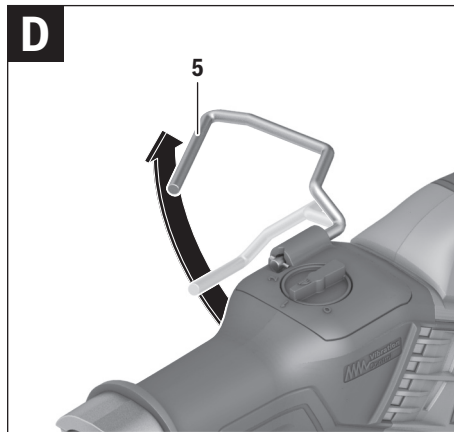
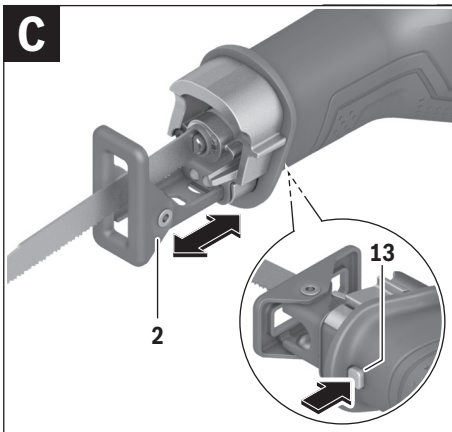
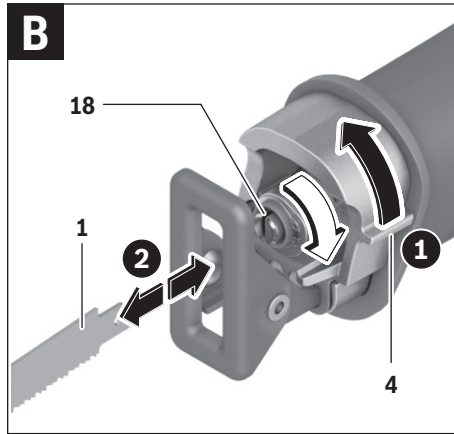
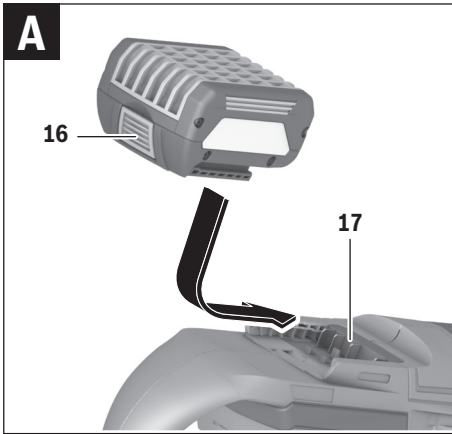


English Page 6
 中文 页 12
 中文 頁 17
 한국어 페이지 22
 ภาษาไทย หน้า 28
 Bahasa Indonesia Halaman 33
 Tiếng Việt Trang 40



progressor for Wood and Metal			
 S956XHM - 150 mm S1156XHM - 225 mm S1256XHM - 300 mm			
heavy for Wood and Metal			
 S610VF - 150 mm S1110VF - 225 mm S1210VF - 300 mm			
endurance for HeavyMetal			
 S930CF - 150 mm S1130CF - 225 mm			
endurance for HeavyMetal			
 S927BEF - 150 mm S1127BEF - 225 mm S1227BEF - 300 mm			
endurance for HeavyMetal			
 S555CHM - 100 mm S955CHM - 150 mm S1155CHM - 225 mm S1255CHM - 300 mm			





English

Safety Notes

General Power Tool Safety Warnings

⚠ WARNING Read all safety warnings and all instructions. Failure to follow the warnings and instructions may result in electric shock, fire and/or serious injury.

Save all warnings and instructions for future reference.

The term "power tool" in the warnings refers to your mains-operated (corded) power tool or battery-operated (cordless) power tool.

Work area safety

- ▶ **Keep work area clean and well lit.** Cluttered or dark areas invite accidents.
- ▶ **Do not operate power tools in explosive atmospheres, such as in the presence of flammable liquids, gases or dust.** Power tools create sparks which may ignite the dust or fumes.
- ▶ **Keep children and bystanders away while operating a power tool.** Distractions can cause you to lose control.

Electrical safety

- ▶ **Power tool plugs must match the outlet. Never modify the plug in any way. Do not use any adapter plugs with earthed (grounded) power tools.** Unmodified plugs and matching outlets will reduce risk of electric shock.
- ▶ **Avoid body contact with earthed or grounded surfaces, such as pipes, radiators, ranges and refrigerators.** There is an increased risk of electric shock if your body is earthed or grounded.
- ▶ **Do not expose power tools to rain or wet conditions.** Water entering a power tool will increase the risk of electric shock.
- ▶ **Do not abuse the cord. Never use the cord for carrying, pulling or unplugging the power tool. Keep cord away from heat, oil, sharp edges and moving parts.** Damaged or entangled cords increase the risk of electric shock.
- ▶ **When operating a power tool outdoors, use an extension cord suitable for outdoor use.** Use of a cord suitable for outdoor use reduces the risk of electric shock.
- ▶ **If operating a power tool in a damp location is unavoidable, use a residual current device (RCD) protected supply.** Use of an RCD reduces the risk of electric shock.

Personal safety

- ▶ **Stay alert, watch what you are doing and use common sense when operating a power tool. Do not use a power tool while you are tired or under the influence of drugs, alcohol or medication.** A moment of inattention while operating power tools may result in serious personal injury.
- ▶ **Use personal protective equipment. Always wear eye protection.** Protective equipment such as dust mask, non-skid safety shoes, hard hat, or hearing protection used for appropriate conditions will reduce personal injuries.

- ▶ **Prevent unintentional starting. Ensure the switch is in the off-position before connecting to power source and/or battery pack, picking up or carrying the tool.** Carrying power tools with your finger on the switch or energising power tools that have the switch on invites accidents.
- ▶ **Remove any adjusting key or wrench before turning the power tool on.** A wrench or a key left attached to a rotating part of the power tool may result in personal injury.
- ▶ **Do not overreach. Keep proper footing and balance at all times.** This enables better control of the power tool in unexpected situations.
- ▶ **Dress properly. Do not wear loose clothing or jewellery. Keep your hair, clothing and gloves away from moving parts.** Loose clothes, jewellery or long hair can be caught in moving parts.
- ▶ **If devices are provided for the connection of dust extraction and collection facilities, ensure these are connected and properly used.** Use of dust collection can reduce dust-related hazards.

Power tool use and care

- ▶ **Do not force the power tool. Use the correct power tool for your application.** The correct power tool will do the job better and safer at the rate for which it was designed.
- ▶ **Do not use the power tool if the switch does not turn it on and off.** Any power tool that cannot be controlled with the switch is dangerous and must be repaired.
- ▶ **Disconnect the plug from the power source and/or the battery pack from the power tool before making any adjustments, changing accessories, or storing power tools.** Such preventive safety measures reduce the risk of starting the power tool accidentally.
- ▶ **Store idle power tools out of the reach of children and do not allow persons unfamiliar with the power tool or these instructions to operate the power tool.** Power tools are dangerous in the hands of untrained users.
- ▶ **Maintain power tools. Check for misalignment or binding of moving parts, breakage of parts and any other condition that may affect the power tool's operation. If damaged, have the power tool repaired before use.** Many accidents are caused by poorly maintained power tools.
- ▶ **Keep cutting tools sharp and clean.** Properly maintained cutting tools with sharp cutting edges are less likely to bind and are easier to control.
- ▶ **Use the power tool, accessories and tool bits etc. in accordance with these instructions, taking into account the working conditions and the work to be performed.** Use of the power tool for operations different from those intended could result in a hazardous situation.

Battery tool use and care

- ▶ **Recharge only with the charger specified by the manufacturer.** A charger that is suitable for one type of battery pack may create a risk of fire when used with another battery pack.
- ▶ **Use power tools only with specifically designated battery packs.** Use of any other battery packs may create a risk of injury and fire.

- ▶ **When battery pack is not in use, keep it away from other metal objects, like paper clips, coins, keys, nails, screws or other small metal objects, that can make a connection from one terminal to another.** Shorting the battery terminals together may cause burns or a fire.
- ▶ **Under abusive conditions, liquid may be ejected from the battery; avoid contact. If contact accidentally occurs, flush with water. If liquid contacts eyes, additionally seek medical help.** Liquid ejected from the battery may cause irritation or burns.

Service

- ▶ **Have your power tool serviced by a qualified repair person using only identical replacement parts.** This will ensure that the safety of the power tool is maintained.

Safety Warnings for Sabre Saws

- ▶ **When working with the machine, always hold it firmly with both hands and provide for a secure stance.** The power tool is guided more secure with both hands.
- ▶ **Hold power tool by insulated gripping surfaces, when performing an operation where the cutting accessory may contact hidden wiring.** Cutting accessory contacting a "live" wire may make exposed metal parts of the power tool "live" and could give the operator an electric shock.
- ▶ **Keep hands away from the sawing range. Do not reach under the workpiece.** Contact with the saw blade can lead to injuries.
- ▶ **Apply the machine to the workpiece only when switched on.** Otherwise there is danger of kickback when the cutting tool jams in the workpiece.
- ▶ **Press the footplate 2 firmly against the workpiece during sawing.** The saw blade can jam and lead to loss of control over the power tool.
- ▶ **When the cut is completed, switch off the machine and then pull the saw blade out of the cut only after it has come to a standstill.** In this manner you can avoid kickback and can place down the machine securely.
- ▶ **Use only undamaged saw blades that are in perfect condition.** Bent or dull saw blades can break, negatively influence the cut, or lead to kickback.
- ▶ **Do not brake the saw blade to a stop by applying side pressure after switching off.** The saw blade can be damaged, break or cause kickback.
- ▶ **Clamp material well. Do not support the workpiece with your hand or foot. Do not touch objects or the floor with the the saw running.** Danger of kickback.
- ▶ **Use appropriate detectors to determine if utility lines are hidden in the work area or call the local utility company for assistance.** Contact with electric lines can lead to fire and electric shock. Damaging a gas line can lead to explosion. Penetrating a water line causes property damage.
- ▶ **Secure the workpiece.** A workpiece clamped with clamping devices or in a vice is held more secure than by hand.
- ▶ **Always wait until the machine has come to a complete stop before placing it down.** The tool insert can jam and lead to loss of control over the power tool.

- ▶ **Before any work on the machine itself (e. g. maintenance, tool change, etc.) as well as during transport and storage, remove the battery from the power tool.** There is danger of injury when unintentionally actuating the On/Off switch.

- ▶ **Do not open the battery.** Danger of short-circuiting.



Protect the battery against heat, e. g., against continuous intense sunlight, fire, water, and moisture. Danger of explosion.

- ▶ **In case of damage and improper use of the battery, vapours may be emitted. Ventilate the area and seek medical help in case of complaints.** The vapours can irritate the respiratory system.
- ▶ **Use the battery only in conjunction with your Bosch power tool.** This measure alone protects the battery against dangerous overload.
- ▶ **The battery can be damaged by pointed objects such as nails or screwdrivers or by force applied externally.** An internal short circuit can occur and the battery can burn, smoke, explode or overheat.

Product Description and Specifications



Read all safety warnings and all instructions. Failure to follow the warnings and instructions may result in electric shock, fire and/or serious injury.

Intended Use

The machine is intended for sawing wood, plastic, metal and building materials while resting firmly on the workpiece. It is suitable for straight and curved cuts. The saw blade recommendations must be observed.

The light of this power tool is intended to illuminate the power tool's direct area of working operation and is not suitable for household room illumination.

Product Features

The numbering of the components shown refers to the representation of the power tool on the graphic pages.

- 1 Saw blade*
- 2 Base plate
- 3 Stroke rod
- 4 Clamping lever for saw blade release
- 5 Utility hook
- 6 Rotary switch for pendulum action (3-level)
- 7 Thumbwheel for stroke rate preselection
- 8 On/Off switch
- 9 Lock-off button for On/Off switch
- 10 Battery pack
- 11 Battery charge-control indicator
- 12 Button for charge-control indicator
- 13 Unlocking button for footplate adjustment
- 14 "PowerLight" lamp (dual LED)

8 | English

- 15 Handle (insulated gripping surface)
- 16 Battery unlocking button
- 17 Battery receptacle
- 18 Saw blade holder

*Different saw blades are included in the delivery depending on the country version.

Technical Data

Sabre saw		GSA 18V-32
Article number		3 601 FA8 1..
Dimensions with battery/ without battery		
– Length	mm	482/482
– Width	mm	101/101
– Height	mm	218/198
Rated voltage	V=	18
Stroke rate at no load n_0	min ⁻¹	0 – 2 500
Tool holder		SDS
Stroke	mm	32
Cutting depth, max.		
– in wood	mm	230
– in non-alloy steel	mm	20
– Pipe diameter	mm	175
Weight according to EPTA-Procedure 01:2014	kg	3.9
Permitted ambient temperature		
– during charging	°C	0 ... +45
– during operation* and during storage	°C	–20 ... +50
Recommended batteries		GBA 18V.. GBA 18V... W
Recommended chargers		AL 18.. GAL 3680 GAL 18... W

* limited performance at temperatures < 0 °C
 Technical data determined with battery from delivery scope.

Assembly

Battery Charging

- ▶ Use only the chargers listed in the technical data. Only these chargers are matched to the lithium-ion battery of your power tool.

Note: The battery supplied is partially charged. To ensure full capacity of the battery, completely charge the battery in the battery charger before using your power tool for the first time.

The lithium-ion battery can be charged at any time without reducing its service life. Interrupting the charging procedure does not damage the battery.

The lithium-ion battery is protected against deep discharging by the "Electronic Cell Protection (ECP)". When the battery is empty, the machine is switched off by means of a protective circuit: The inserted tool no longer rotates.

- ▶ Do not continue to press the On/Off switch after the machine has been automatically switched off. The battery can be damaged.

Observe the notes for disposal.

Removing the battery (see figure A)

The battery **10** is equipped with two locking levels that should prevent the battery from falling out when pushing the battery unlocking button **16** unintentionally. As long as the battery is inserted in the power tool, it is held in position by means of a spring.

To remove the battery **10**, press the battery unlocking button **16** and pull the battery out of the power tool toward the rear.

Do not exert any force.

Battery Charge-control Indication

The three green LEDs of the battery charge-control indicator **11** indicate the charge condition of the battery **10**. For safety reasons, it is only possible to check the status of the charge condition when the machine is at a standstill.

Press button **12** to indicate the charge condition. This is also possible when the battery **10** is removed.

LED	Capacity
Continuous lighting 3 x green	≥ 2/3
Continuous lighting 2 x green	≥ 1/3
Continuous lighting 1 x green	< 1/3
Flashing light 1 x green	Reserve

When no LED lights up after pushing button **12**, then the battery is defective and must be replaced.

During the charging procedure, the three green LEDs light up one after the other and briefly go out. The battery is fully charged when the three green LEDs light up continuously. The three LEDs go out again approx. 5 minutes after the battery has been fully charged.

Replacing/Inserting the Saw Blade

- ▶ Before any work on the power tool, remove the battery.
- ▶ When mounting the saw blade, wear protective gloves. Danger of injury when touching the saw blade.
- ▶ When changing the saw blade, take care that the saw blade holder is free of material residue, e.g. wood or metal shavings.

Selecting a Saw Blade

Use only saw blades suitable for the material being worked.

An overview of recommended saw blades can be found at the beginning of these instructions. Use only ½" universal shank saw blades. The saw blade should not be longer than required for the intended cut.

Use a thin saw blade for narrow curve cuts.

Inserting the Saw Blade (see figure B)

Swing the lever for saw blade release **4** approx. 60° in the direction of the arrow and hold it in place. Slide the saw blade **1** into the saw blade holder **18**. Release the lever for saw blade release **4** again.

- ▶ Check the tight seating of the saw blade. A loose saw blade can fall out and lead to injuries.

For certain work, the saw blade **1** can also be turned through 180° (with the teeth pointed upwards) and re-inserted again.

Removing the Saw Blade (see figure B)

Swing the lever for saw blade release **4** approx. 60° in the direction of the arrow and hold it in place. Pull the saw blade **1** out of the saw blade holder **18**. Release the lever for saw blade release **4** again.

Dust/Chip Extraction

- ▶ Dust from materials such as lead-containing coatings, some wood types, minerals and metal can be harmful to one's health. Touching or breathing-in the dust can cause allergic reactions and/or lead to respiratory infections of the user or bystanders.
 - Certain dust, such as oak or beech dust, is considered carcinogenic, especially in connection with wood-treatment additives (chromate, wood preservative). Materials containing asbestos may only be worked by specialists.
 - Provide for good ventilation of the working place.
 - It is recommended to wear a P2 filter-class respirator.
- Observe the relevant regulations in your country for the materials to be worked.
- ▶ **Prevent dust accumulation at the workplace.** Dust can easily ignite.

Operation

Starting Operation

Inserting the battery (see figure A)

- ▶ **Use only original Bosch lithium-ion batteries with the voltage listed on the nameplate of your power tool.** Using other batteries can lead to injuries and pose a fire hazard.

Insert the charged battery **10** into the battery receptacle **17** until you feel it engage.

Controlling/Presetting the Stroke Rate

Soft start allows for a precise cutting start in hard materials (e.g. steel).

Increasing or reducing the pressure on the On/Off switch **8** enables stepless stroke-rate control of the switched-on machine.

Light pressure on the On/Off switch **8** results in a low stroke rate. Increasing the pressure also increases the stroke rate.

With the thumbwheel for stroke rate preselection **7**, the stroke rate can be preset and changed during operation.

- 1: Low stroke rate
- 6: High stroke rate

The constant electronic control keeps the stroke rate almost constant at no-load and under load, and ensures uniform working performance.

The required stroke rate is dependent on the material and the working conditions and can be determined by a practical trial.

Reducing the stroke rate is recommended when the saw blade engages in the material as well as when sawing plastic and aluminium.

Orbital Action Settings

The adjustable orbital action allows for optimal adaptation of cutting speed, cutting capacity and cutting pattern to the material being worked.

The level of orbital action can be set with rotary switch **6**, even during operation.

Orbital action switched off (level 0):

For working thin or hard material such as sheet metal or steel. For achieving clean cutting edges.

Pendulum action level 1:

For working non-ferrous metals, hardwood, plastics or materials of medium density.

Pendulum action level 2:

For working non-ferrous metals, hardwood, plastics or materials of medium density.

For working soft materials, e.g., soft building materials, insulation material, softwood, tree wood.

Pivoting and Retractable Footplate

Due to its movability, the adjustable footplate **2** adapts to the required angular position of the surface.

Depending on the saw blade being used and the application, the footplate **2** can be moved in lengthway direction in three steps. Press the release button for the footplate **13** and slide the footplate **2** to the required position. Release the footplate release button **13** and check that the footplate **2** is firmly latched. Slide the footplate **2** as required until it is firmly latched.

To clean the saw blade holder **18**, you can also completely pull out the footplate **2** when the release button **11** is pressed. After cleaning, slide the footplate back into its holder until it engages.

- ▶ **Do not press the release button 13 during operation.** You could lose control over the power tool and injure yourself.

Switching On and Off

Switching on: Press the lock-off button **9** forward. Press the On/Off switch **8** upward and keep it pressed.

Switching off: Release the On/Off switch **8**.

Working Advice

- ▶ **Before any work on the machine itself (e.g. maintenance, tool change, etc.) as well as during transport and storage, remove the battery from the power tool.** There is danger of injury when unintentionally actuating the On/Off switch.
- ▶ **When sawing light building materials, observe the statutory provisions and the recommendations of the material suppliers.**
- ▶ **Ensure that the saw blade is always longer than the diameter of the workpiece, see Figure F. There is a risk of kickback.**

Check wood, press boards, building materials, etc. for foreign objects such as nails, screws or similar, and remove them, if required.

10 | English

Switch the machine on and guide it toward the workpiece. Position the base plate **2** onto the surface of the work and saw through the material applying uniform contact pressure and feed. After completing the working procedure, switch the machine off.

If the saw blade should jam, switch the machine off immediately. Widen the gap somewhat with a suitable tool and pull out the machine.

Heavy contamination of the machine can lead to malfunctions. Therefore, do not saw materials that produce a lot of dust from below or overhead.

Plunge Cutting (see figure E)

► **The plunge cutting procedure is only suitable for treating soft materials such as wood, plaster board or similar! Do not work metal materials with the plunge cutting procedure!**

► **Use only saw blades with a maximum length of 100 mm for plunge cutting.** When longer saw blades are used, the footplate cannot be rested on the workpiece and the power tool does not have the required hold.

Place the machine with the edge of the footplate **2** onto the workpiece and switch on. For power tools with stroke speed control, set the maximum stroke speed. Press the power tool firmly against the workpiece and allow the saw blade to slowly plunge into the workpiece.

As soon as the footplate **2** fully lays on the surface of the workpiece, continue sawing alongside the desired cutting line.

For certain work, the saw blade **1** can also be inserted turned through by 180° and the sabre saw can be guided accordingly in a reversed manner.

Flush Cuts (see figure F)

Using elastic bimetal saw blades, items still attached to a wall (e. g. projecting building elements such as water pipes, etc.) can be sawn off flush at the wall.

Position the saw blade directly against the wall and apply some lateral pressure via the tool until the footplate faces against the wall. Switch the power tool on and saw through the workpiece, applying constant lateral pressure.

Utility Hook (see figure D)

Your tool is equipped with a utility hook **5** for hanging it, e. g., to a ladder, etc. Simply fold out the utility hook **5** to the required position.

► **When the power tool is hung up, take care that the saw blade is protected from accidental contact.** This poses a risk of injury.

Fold the utility hook **5** back in again when you are ready to continue working.

Coolant/Lubricant

When sawing metal, coolant/lubricant should be applied alongside cutting line because of the material heating up.

Recommendations for Optimal Handling of the Battery

Store the battery only within a temperature range between –20 °C and 50 °C. As an example, do not leave the battery in the car in summer.

Occasionally clean the venting slots of the battery using a soft, clean and dry brush.

A significantly reduced working period after charging indicates that the battery is used and must be replaced.

Observe the notes for disposal.

Maintenance and Service

Maintenance and Cleaning

► **Before any work on the machine itself (e. g. maintenance, tool change, etc.) as well as during transport and storage, remove the battery from the power tool.**

There is danger of injury when unintentionally actuating the On/Off switch.

► **For safe and proper working, always keep the machine and ventilation slots clean.**

Clean the saw blade holder preferably with compressed air or a soft brush. Remove the saw blade from the power tool for this. Ensure proper operation of the saw blade holder by applying a suitable lubricant.

After-sales Service and Application Service

Our after-sales service responds to your questions concerning maintenance and repair of your product as well as spare parts. Exploded views and information on spare parts can also be found under:

www.bosch-pt.com

Bosch's application service team will gladly answer questions concerning our products and their accessories.

In all correspondence and spare parts orders, please always include the 10-digit article number given on the nameplate of the product.

People's Republic of China

China Mainland

Bosch Power Tools (China) Co., Ltd.
567, Bin Kang Road
Bin Jiang District 310052
Hangzhou, P. R. China
Service Hotline: 4008268484
Fax: (0571) 87774502
E-Mail: contact.ptcn@cn.bosch.com
www.bosch-pt.com.cn

HK and Macau Special Administrative Regions

Robert Bosch Hong Kong Co. Ltd.
21st Floor, 625 King's Road
North Point, Hong Kong
Customer Service Hotline: +852 2101 0235
Fax: +852 2590 9762
E-Mail: info@hk.bosch.com
www.bosch-pt.com.hk

Indonesia

PT Robert Bosch
 Palma Tower 10th Floor
 Jl. RA Kartini II-S Kaveling 6 Sek II
 Pondok Pinang, Kebayoran Lama
 Jakarta Selatan 12310
 Indonesia
 Tel.: (021) 3005 5800
 Fax: (021) 3005 5801
 E-Mail: boschpowertools@id.bosch.com
 www.bosch-pt.co.id

Philippines

Robert Bosch, Inc.
 28th Floor Fort Legend Towers,
 3rd Avenue corner 31st Street,
 Fort Bonifacio Global City,
 1634 Taguig City, Philippines
 Tel.: (02) 8703871
 Fax: (02) 8703870
 matheus.contiero@ph.bosch.com
 www.bosch-pt.com.ph

Bosch Service Center:
 9725-27 Kamagong Street
 San Antonio Village
 Makati City, Philippines
 Tel.: (02) 8999091
 Fax: (02) 8976432
 E-Mail: rosalie.dagdagan@ph.bosch.com

Malaysia

Robert Bosch Sdn. Bhd.
 No. 8A, Jalan 13/6
 G.P.O. Box 10818
 46200 Petaling Jaya
 Selangor, Malaysia
 Tel.: (03) 79663194
 Fax: (03) 79583838
 E-Mail: cheehoe.on@my.bosch.com
 Toll-Free: 1800 880188
 www.bosch-pt.com.my

Thailand

Robert Bosch Ltd.
 Liberty Square Building
 No. 287, 11 Floor
 Silom Road, Bangrak
 Bangkok 10500
 Tel.: 02 6393111
 Fax: 02 2384783
 Robert Bosch Ltd., P. O. Box 2054
 Bangkok 10501, Thailand
 www.bosch.co.th

Bosch Service – Training Centre
 La Salle Tower Ground Floor Unit No.2
 10/11 La Salle Moo 16
 Srinakharin Road
 Bangkaew, Bang Plee
 Samutprakarn 10540
 Thailand
 Tel.: 02 7587555
 Fax: 02 7587525

Singapore

Powerwell Service Centre Ptd Ltd
 65 Ubi Crescent, #06-03 HOLA Centre
 Singapore 408559
 Tel.: 6746 9770/71
 Fax: 6746 9760
 E-Mail: powerwellsc@gmail.com
 Toll-Free: 1800 3338333
 www.bosch-pt.com.sg

Vietnam

Robert Bosch Vietnam Co. Ltd
 13th Floor, 194 Golden Building
 473 Dien Bien Phu Street
 Ward 25, Binh Thanh District
 84 Ho Chi Minh City
 Vietnam
 Tel.: (08) 6258 3690
 Fax: (08) 6258 3692
 Hotline: (08) 6250 8555
 E-Mail: tuvankhachhang-pt@vn.bosch.com
 www.bosch-pt.com.vn
 www.baohanhbosch-pt.com.vn

Australia, New Zealand and Pacific Islands

Robert Bosch Australia Pty. Ltd.
 Power Tools
 Locked Bag 66
 Clayton South VIC 3169
 Customer Contact Center
 Inside Australia:
 Phone: (01300) 307044
 Fax: (01300) 307045
 Inside New Zealand:
 Phone: (0800) 543353
 Fax: (0800) 428570
 Outside AU and NZ:
 Phone: +61 3 95415555
 www.bosch-pt.com.au
 www.bosch-pt.co.nz

Egypt

Unimar
 20 Markaz kadmat
 El tagmoa EL Aoul – New Cairo
 Tel: +2 02 224 76091 - 95 / + 2 02 224 78072 - 73
 Fax: +2 02 224 78075
 E-Mail: adelzaki@unimaregypt.com

12 | 中文

Ethiopia

Forever plc
Kebele 2,754, BP 4806,
Addis Ababa, Ethiopia
Tel: +251 111 560 600, +251 111 560 600
E-Mail: foreverplc@ethionet.et

Nigeria

C. Woermann Ltd.
P.O. Box 318
6, Badejo Kalesanwo Street
Matori Industrial Estate
Lagos, Nigeria
Tel: +234 17 736 498, +234 17 730 904
E-Mail: d.kornemann@woermann-nigeria.com

Republic of South Africa**Customer service**

Hotline: (011) 6519600

Gauteng – BSC Service Centre

35 Roper Street, New Centre
Johannesburg
Tel.: (011) 4939375
Fax: (011) 4930126
E-Mail: bsctools@icon.co.za

KZN – BSC Service Centre

Unit E, Almar Centre
143 Crompton Street
Pinetown
Tel.: (031) 7012120
Fax: (031) 7012446
E-Mail: bsc.dur@za.bosch.com

Western Cape – BSC Service Centre

Democracy Way, Prosperity Park
Milnerton
Tel.: (021) 5512577
Fax: (021) 5513223
E-Mail: bsc@zsd.co.za

Bosch Headquarters

Midrand, Gauteng
Tel.: (011) 6519600
Fax: (011) 6519880
E-Mail: rbsa-hq.pts@za.bosch.com

Transport

The contained lithium-ion batteries are subject to the Dangerous Goods Legislation requirements. The user can transport the batteries by road without further requirements.

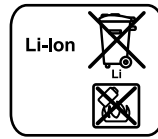
When being transported by third parties (e.g.: air transport or forwarding agency), special requirements on packaging and labelling must be observed. For preparation of the item being shipped, consulting an expert for hazardous material is required.

Dispatch batteries only when the housing is undamaged. Tape or mask off open contacts and pack up the battery in such a manner that it cannot move around in the packaging. Please also observe possibly more detailed national regulations.

Disposal

The machine, rechargeable batteries, accessories and packaging should be sorted for environmental-friendly recycling.

Do not dispose of power tools and batteries/rechargeable batteries into household waste!

Battery packs/batteries:**Li-ion:**

Please observe the instructions in section "Transport", page 12.

Subject to change without notice.

中文**安全规章****电动工具通用安全警告**

警告！ 阅读所有警告和所有说明！不遵照以下警告和说明会导致电击、着火和/或严重伤害。

保存所有警告和说明书以备查阅。

在所有下列的警告中术语 " 电动工具 " 指市电驱动 (有线) 电动工具或电池驱动 (无线) 电动工具。

工作场地的安全

- ▶ 保持工作场地清洁和明亮。混乱和黑暗的场地会引发事故。
- ▶ 不要在易爆环境，如有易燃液体、气体或粉尘的环境下操作电动工具。电动工具产生的火花会点燃粉尘或气体。
- ▶ 让儿童和旁观者离开后操作电动工具。注意力不集中会使操作者失去对工具的控制。

电气安全

- ▶ 电动工具插头必须与插座相配。绝不能以任何方式改装插头。需接地的电动工具不能使用任何转换插头。未经改装的插头和相配的插座将减少电击危险。
- ▶ 避免人体接触接地表面，如管道、散热片和冰箱。如果你身体接地会增加电击危险。
- ▶ 不得将电动工具暴露在雨中或潮湿环境中。水进入电动工具将增加电击危险。
- ▶ 不得滥用电线。绝不能用电线搬运、拉动电动工具或拔出其插头。使电线远离热源、油、锐边或运动部件。受损或缠绕的软线会增加电击危险。
- ▶ 当在户外使用电动工具时，使用适合户外使用的外接软线。适合户外使用的软线将减少电击危险。

- ▶ 如果在潮湿环境下操作电动工具是不可避免的，应使用剩余电流动作保护器（RCD）。使用 RCD 可减小电击危险。

人身安全

- ▶ 保持警觉，当操作电动工具时关注所从事的操作并保持清醒。当你感到疲倦，或在有药物、酒精或治疗反应时，不要操作电动工具。在操作电动工具时瞬间的疏忽会导致严重人身伤害。
- ▶ 使用个人防护装置。始终佩戴护目镜。安全装置，诸如适当条件下使用防尘面具、防滑安全鞋、安全帽、听力防护等装置能减少人身伤害。
- ▶ 防止意外起动。确保开关在连接电源和 / 或电池盒、拿起或搬运工具时处于关断位置。手指放在已接通电源的开关上或开关处于接通时插入插头可能会导致危险。
- ▶ 在电动工具接通之前，拿掉所有调节钥匙或扳手。遗留在电动工具旋转零件上的扳手或钥匙会导致人身伤害。
- ▶ 手不要伸展得太长。时刻注意立足点和身体平衡。这样在意外情况下能很好地控制电动工具。
- ▶ 着装适当。不要穿宽松衣服或佩戴饰品。让衣服、手套和头发远离运动部件。宽松衣服、佩饰或长发可能会卷入运动部件中。
- ▶ 如果提供了与排屑、集尘设备连接用的装置，要确保他们连接完好且使用得当。使用这些装置可减少尘屑引起的危险。

电动工具使用和注意事项

- ▶ 不要滥用电动工具，根据用途使用适当的电动工具。选用适当设计的电动工具会使你工作更有效、更安全。
- ▶ 如果开关不能接通或关断工具电源，则不能使用该电动工具。不能用开关来控制的电动工具是危险的且必须进行修理。
- ▶ 在进行任何调节、更换附件或贮存电动工具之前，必须从电源上拔掉插头和 / 或使电池盒与工具脱离。这种防护性措施将减少工具意外起动的危险。
- ▶ 将闲置不用的电动工具贮存在儿童所及范围之外，并且不要让不熟悉电动工具或对这些说明不了解的人操作电动工具。电动工具在未经培训的用户手中是危险的。
- ▶ 保养电动工具。检查运动件是否调整到位或卡住，检查零件破损情况和影响电动工具运行的其他状况。如有损坏，电动工具应在使用前修理好。许多事故由维护不良的电动工具引发。
- ▶ 保持切削刀具锋利和清洁。保养良好的有锋利切削刃的刀具不易卡住而且容易控制。
- ▶ 按照使用说明书，考虑作业条件和进行的作业来使用电动工具、附件和工具的刀头等。将电动工具用于那些与其用途不符的操作可能会导致危险。

电池式工具使用和注意事项

- ▶ 只用制造商规定的充电器充电。将适用于某种电池盒的充电器用到其他电池盒时会发生着火危险。
- ▶ 只有在配有专用电池盒的情况下才使用电动工具。使用其他电池盒会发生损坏和着火危险。
- ▶ 当电池盒不用时，将它远离其他金属物体，例如回形针、硬币、钥匙、钉子、螺钉或其他小金属物体，以防一端与另一端连接。电池端部短路会引起燃烧或火灾。
- ▶ 在滥用条件下，液体会从电池中溅出，避免接触。如果意外碰到了，用水冲洗。如果液体碰到了眼睛，还要寻求医疗帮助。从电池中溅出的液体会发生腐蚀或燃烧。

维修

- ▶ 将你的电动工具送交专业维修人员，使用同样的备件进行修理。这样将确保所维修的电动工具的安全性。

针对马刀锯的安全规章

- ▶ 工作时要使用双手握紧电动工具并确保站稳。使用双手才能够稳定地操作电动工具。
- ▶ 在切削附件可能触及暗线进行操作时，要通过绝缘握持面来握持工具。切削附件碰到带电导线会使工具外露的金属零件带电从而使操作者受到电击。
- ▶ 双手必须远离锯割范围，手不可以握在工件下端。如果不小心触碰到锯片可能被割伤。
- ▶ 先开动电动工具后再把工具放置在工件上切割。如果电动工具被夹在工件中，会有反击的危险。
- ▶ 锯切底板 2 吋，牢牢压住工件。锯片可能在工作中被夹住，而令您无法控制电动工具。
- ▶ 工作告一段落时，必须先关闭电动工具并等待机器完全静止后，才可以从锯缝中拔出锯刀。如此不但可以防止反击，而且可以防止放置机器时发生危险。
- ▶ 只能使用未受损，功能正常的锯片。弯曲或变钝的锯片可能断裂，对锯痕造成负面影响或导致反弹。
- ▶ 关机后不可以侧压刀片来制止仍然继续转动的刀片。锯刀可能因此受损、断裂或者造成反击。
- ▶ 牢牢地固定住工件。不可以用手或脚支撑工件。不可以让转动中的电锯接触其它的物品或地面。有反击的危险。
- ▶ 使用合适的侦测器，以便找出隐藏着的电源线的位。或者向当地的供电单位索取相关资料。钻穿电线会造成火灾并遭受电击。损坏瓦斯管会引起爆炸。如果水管被刺穿了会导致财物损失。
- ▶ 固定好工件。使用固定装置或老虎钳固定工件，会比用手握工件更牢固。

14 | 中文

- ▶ **等待电动工具完全静止后才能够放下机器。** 机器上的工具可能在工作中被夹住，而令您无法控制电动工具。
- ▶ **在电动工具上进行任何维护的工作（例如维修，更换工具等等），以及搬运、保存电动工具之前都必须从机器中取出蓄电池。** 不小心开动了起停开关可能造成伤害。
- ▶ **切勿打开蓄电池。** 可能造成短路。



保护蓄电池免受高温（例如长期日照），火焰，水和湿气的侵害。有爆炸的危险。

- ▶ **如果蓄电池损坏了，或者未按照规定使用蓄电池，蓄电池中会散发出有毒蒸汽。工作场所必须保持空气流通，如果身体有任何不适必须马上就医。** 蓄电池散发的蒸汽会刺激呼吸道。
- ▶ **本蓄电池只能配合博世的电动工具一起使用。** 这样才能确保蓄电池不会过载。
- ▶ **通过尖的物件如钉子或螺丝刀通过外力作用时，可能损坏蓄电池。** 有可能出现内部短路、蓄电池燃烧、发出烟雾、爆炸或过热。

产品和功率描述



阅读所有的警告提示和指示。如未确实遵循警告提示和指示，可能导致电击，火灾并且 / 或其他的严重伤害。

按照规定使用机器

本电动工具可以锯割木材、塑料、金属和一般建材。锯割时必须用力地将机器顶向工件。本机器能够进行直线割锯也能够进行曲线割锯。选用锯刀时请参考本公司提出的建议。

本电动工具的照明灯用于电动工具工作范围周围的照明，不适用于家庭房间照明。

插图上的机件

机件的编号和电动工具详解图上的编号一致。

- 1 锯片 *
- 2 底盘
- 3 冲击杆
- 4 锯片解锁杆
- 5 悬挂架
- 6 摆动装置旋转开关（3档）
- 7 冲击次数调整轮
- 8 起停开关
- 9 起停开关的防止起动装置
- 10 蓄电池
- 11 蓄电池的充电电量指示灯
- 12 充电电量指示灯的按键

- 13 底板调节解锁按钮
- 14 "PowerLight" 灯（双 LED）
- 15 手柄（绝缘握柄）
- 16 蓄电池的解锁按键
- 17 电池座
- 18 锯刀接头

*根据各国规格不同，供货范围采用不同的锯片。

技术数据

马刀锯	GSA 18V-32	
物品代码	3 601 FA8 1..	
带或不带电池的尺寸		
- 长度	毫米	482/482
- 宽度	毫米	101/101
- 高度	毫米	218/198
额定电压	伏特 =	18
无负载冲击次数 n_0	次 / 分	0-2500
工具夹头	SDS	
冲程	毫米	32
最大锯割深度		
- 在木材	毫米	230
- 在钢铁，非合金钢	毫米	20
- 管直径	毫米	175
重量符合		
EPTA-Procedure 01:2014	公斤	3.9
允许的环境温度		
- 充电时	°C	0...+45
- 运行 * 和储藏时	°C	-20...+50
建议使用的充电电池	GBA 18V.. GBA 18V... W	
推荐的充电器	AL 18.. GAL 3680 GAL 18... W	

* 温度 < 0 °C 时功率受限
使用附带的蓄电池所测得的技术数据。

安装

为蓄电池充电

- ▶ **请只使用在技术数据中列出的充电器。** 只有这些充电器才适用于本电动工具上的锂离子电池。

指示： 蓄电池在交货时只完成部分充电。首度使用电动工具之前，必须先充足蓄电池的电以确保蓄电池的功率。

可以随时为锂离子蓄电池充电，不会缩短电池的使用寿命。如果充电过程突然中断，也不会损坏电池。

本锂离子蓄电池配备了 "Electronic Cell Protection (ECP) (电子充电室保护装置)"，可以防止蓄电池过度放电。电池的电量如果用尽了，保护开关会自动关闭电动工具：安装在机器上的工具会停止转动。

- ▶ **电动工具被关闭之后，切勿继续按住起停开关。**
可能损坏电池。

请注意有关作废处理的规定。

取出蓄电池（参考插图 A）

本蓄电池 10 具备了双重锁定。即使不小心触动了 蓄电池的解锁按键 16，蓄电池也不会从机器中掉落出来。固定弹簧会把蓄电池夹紧在机器中。

拆卸蓄电池 10 时得先按住解锁按键 16 接著再向后抽拉便可以取出电动工具中取出蓄电池。**不可以强制拉出蓄电池。**

蓄电池的充电电量指示灯

三个绿色的蓄电池充电电量指示灯 11 能够显示蓄电池 10 的现有电量。基于安全的顾虑，务必在电动工具静止时 才能够检查蓄电池的电量。

按下按键 12 以便显示充电状况。拿出蓄电池 10 后也可以执行此步骤。

LED	容量
3 个绿灯持续亮着	≥2/3
2 个绿灯持续亮着	≥1/3
1 个绿灯持续亮着	<1/3
1 个绿灯闪烁	备用电量

按下按键 12 之后如果指示灯没有反应，表示 蓄电池已经损坏了，必须更换电池。

充电时三个绿色指示灯会先后亮起并随即熄灭。如果三个绿色指示灯持续亮着，代表蓄电池的 电量已经充足了，此时再经过 5 分钟后充电电量指示灯 便会自动熄灭。

安装 / 更换锯刀

- ▶ **为电动工具做任何的维修工作之前，务必先取出蓄电池。**
- ▶ **安装锯片时要戴上工作手套。** 如果接触了锯片，可能被割伤。
- ▶ **更换锯刀时请注意，锯刀接头上不可以有任何杂物，例如木屑或金属屑等。**

选择锯片

根据加工物料选择合适的锯刀。

本说明书的开端，有锯刀的一览表。只能安装有 1/2" 通用插柄的锯刀。锯刀的长度不可以大过预定的锯线。

锯割狭窄的弯角时，必须使用窄的锯刀。

安装锯刀（参考插图 B）

将锯片解锁杆 4 朝箭头方向翻转约 60°，并固定住。将锯片 1 推入锯片座 18。重新松开锯片解锁杆 4。

- ▶ **检查锯刀是否已经装牢了。** 松动的锯刀可能掉落并伤害您。

从事某些特别的工作时，可以把锯刀 1 旋转 180 度（锯齿朝上）后再安装。

拆卸锯片（参考插图 B）

将锯片解锁杆 4 朝箭头方向翻转约 60°，并固定住。将锯片 1 从锯片座 18 拔出。重新松开锯片解锁杆 4。

吸尘 / 吸锯屑

- ▶ 含铅的颜料以及某些木材、矿物和金属的加工废尘有害健康。机器操作者或者工地附近的人如果接触、吸入这些废尘，可能会有过敏反应或者感染呼吸道疾病。

某些尘埃（例如加工橡木或山毛榉的废尘）可能致癌，特别是和处理木材的添加剂（例如木材的防腐剂等）结合之后。只有经过专业训练的人才能够加工含石棉的物料。

- 工作场所要保持空气流通。
- 最好佩戴 P2 滤网等级的口罩。

请留心并遵守贵国和加工物料有关的法规。

- ▶ **避免让工作场所堆积过多的尘垢。** 尘垢容易被点燃。

操作

操作机器

安装蓄电池（参考插图 A）

- ▶ **只能使用博世原厂的锂离子蓄电池，电池的电压必须和机器铭牌上提供的电压一致。** 使用其它厂牌的蓄电池，可能导致意外伤害并造成火灾。

将已充好电的电池 10 装入电池座 17，直至感觉到卡入。

控制 / 设定冲击次数

对于硬的材料（如钢），利用均调起动可以实现精确切割。

您可以无级式调节电动工具的冲击次数。您在起停开关 8 上的施力大小，可以决定冲击次数的高低。

轻按起停开关 8 冲击次数低，按得越紧冲击次数越高。

使用冲击次数调整轮 7，可以设定冲击次数，也可以在机器运转中改变冲击次数。

- 1: 低冲击次数
- 6: 高冲击次数

有了恒定电子装置，机器的冲击次数能够在空转和负载时都保持恒定。如此能够确保均匀的运作功率。

正确的冲击次数必须视工件物料和工作状况而定。唯有实际操作才能找出最合适的冲击次数。

起锯时，或者锯割塑料、铝片时最好降低冲击次数。

调整振荡功能

有了可调式摆动功能，可以根据加工物料设定最佳的锯割速度、锯割功率和锯割效果。

使用旋转开关 6 即使在操作机器时也可以调整摆动功能。

16 | 中文

关闭摆动功能 (0 级)：

加工薄或硬的物料，例如铁皮和钢。
锯割后锯缘平整。

摆动装置 1 档：

加工有色金属，硬木，塑料或中硬度物料。

摆动装置 2 档：

加工有色金属，硬木，塑料或中硬度物料。
加工软的工件，例如轻建材、绝缘材料、软木和树木等。

可翻转和可以抽出的底盘

底盘 2 是活动的，可以随时配合工作表面的角度。
您可以根据所使用的锯刀和应用状况，前后移动底盘 2，总共有 3 个移动位置。按下解锁按键 13 并把底盘 2 移动到需要的位置上。放开解锁按键 13 并检查底盘 2 是否牢牢地固定好了。必要时得移动底盘 2 让它正确地卡住。

要清洁锯片座 18，底板 2 在按压解锁按钮 11 的情况下可以完全拉出。清洁后，将底板重新推入底座，直至卡止。

▶ **不要在运行期间按压解锁按钮 13。** 您可能会失去对电动工具的控制并受伤。

开/关

接通： 将开机锁 9 向前压。向上按压起停开关 8 并按住。

关闭： 松开起停开关 8。

有关操作方式的指点

- ▶ **在电动工具上进行任何维护的工作（例如维修，更换工具等等），以及搬运、保存电动工具之前都必须从机器中取出蓄电池。** 不小心开动了起停开关可能造成伤害。
- ▶ **锯割轻建材时，必须注意有关的法令规定以及材料供应商提供的建议事宜。**
- ▶ **注意锯片始终长于待加工工件的直径，见图 F。有反弹危险。**

锯割木材、夹板以及其它建材之前，先检查工件中是否隐藏着异物，例如钉子和螺丝等。如果发现异物必须马上拔除。

先开电动工具再把工具靠在工件上。把底盘 2 靠在工件的表面，接著再使用均匀的下压力或推进力锯割工件。工作完后随手关闭电动工具。

如果锯刀被夹住了，必须马上关闭电动工具。使用合适的工具撑开锯缝并拔出电动工具。

电动工具如果沾满污垢，可能会影响机器的功能。因此不可以仰头锯割会产生大量灰尘的工件。

潜锯（参考插图 E）

▶ **潜锯只适用于软的物料，例如木材、石膏夹板等！不可以金属上进行潜锯。**

▶ **切入式锯切时，仅使用最大长度为 100 mm 的锯片。** 如采用更长的锯片，将无法装上底板，且电动工具无法进行必要的固定。

把底盘 2 的下缘顶在工件表面上，然后再开机器。如果电动工具有冲击次数设定功能的话，必须选择最高冲击次数。用力地把电动工具压向工件，并让锯刀慢慢地潜入工件中。

待底盘 2 平贴着工件表面后，便可以沿着锯线向前锯割。

针对特殊的工作，可以把锯刀 1 翻转 180 度后再安装，并且把电锯翻转过来操作。

平锯（参考插图 F）

使用具有弹性的双金属锯片，能够锯平凸出在墙上的建筑构件（例如水管等）。

把锯刀直接靠在墙上，侧压电动工具让底盘贴在墙面上。开电动工具并使用均匀的侧压力锯断工件。

悬挂架（参考插图 D）

使用悬挂架 5 可以把电动工具挂在梯子上。悬挂机器之前，先把悬挂架 5 掀开到合适的位置。

▶ **如电动工具被勾住，注意不要在无意间碰到锯片。** 有受伤的危险。

使用电动工具工作之前，必须先收回悬挂架 5。

冷却剂 / 润滑剂

锯割金属时由于物料会变热，必须在锯割线上涂抹冷却剂或润滑剂。

如何正确地使用蓄电池

蓄电池必须储存在摄氏 -20 到 50 度的环境中。夏天不可以把蓄电池搁置在汽车中。

不定时地使用柔软，清洁而且干燥的毛刷清洁蓄电池的通气孔。

充电后如果蓄电池的使用时间明显缩短，代表蓄电池已经损坏，必须更换新的蓄电池。

请注意有关作废处理的规定。

维修和服务**维修和清洁**

▶ **在电动工具上进行任何维护的工作（例如维修，更换工具等等），以及搬运、保存电动工具之前都必须从机器中取出蓄电池。** 不小心开动了起停开关可能造成伤害。

▶ **电动工具和通风间隙都必须保持清洁，这样才能提高工作品质 and 安全性。**

最好使用压缩空气或软毛刷清洁锯片接头。此时必须先拆卸电动工具上的锯片，并且使用合适的润滑剂润滑接头，以确保接头的运作功能。

顾客服务处和顾客咨询中心

本公司顾客服务处负责回答有关本公司产品的修理、维护和备件的问题。以下的网页中有爆炸图 and 备件的资料：

www.bosch-pt.com

博世顾客咨询团队非常乐意为您解答有关本公司产品及附件的问题。

如需查询和订购备件，请务必提供产品型号铭牌上的 10 位数货号。

有关保证，维修或更换零件事宜，请向合格的经销商查询。

中国大陆

博世电动工具（中国）有限公司

中国 浙江省 杭州市

滨江区滨康路 567 号

邮政编码：310052

免费服务热线：4008268484

传真：(0571) 87774502

电邮：contact.ptcn@cn.bosch.com

www.bosch-pt.com.cn

罗伯特·博世有限公司

香港北角英皇道 625 号 21 楼

客户服务热线：+852 2101 0235

传真：+852 2590 9762

电邮：info@hk.bosch.com

网站：www.bosch-pt.com.hk

制造商地址：

Robert Bosch Power Tools GmbH

罗伯特·博世电动工具有限公司

70538 Stuttgart / GERMANY

70538 斯图加特 / 德国

搬运

随着机器一起供货的锂离子蓄电池必须受危险物品法规范。使用者无须另外使用保护包装便可以运送该蓄电池。

但是如果将它交由第三者运送（例如：寄空运或委托运输公司）则要用特殊的包装和标示。此时必须向危险物品专家请教有关寄送危险物品的相关事宜。

确定蓄电池的外壳未受损后，才可以寄送蓄电池。粘好未加盖的触点并包装好蓄电池，不可以让蓄电池在包装中晃动。

必要时也得注意各国有关的法规。

处理废弃物



必须以符合环保的方式，回收再利用损坏的电动工具，蓄电池，附件和废弃的包装材料。

不可以把电动工具和蓄电池 / 电池丢入一般的家庭垃圾中！

充电电池 / 电池：



锂离子：

请注意“搬运”段落中的指示，页 17。

保留修改权。

中文

安全規章

電動工具通用安全警告

警告 閱讀所有警告和所有說明。不遵照以下警告和說明會導致電擊、著火和 / 或嚴重傷害。

保存所有警告和說明書以備查閱。

在所有下列的警告中術語“電動工具”指市電驅動（有線）電動工具或電池驅動（無線）電動工具。

工作場地的安全

- ▶ 保持工作場地清潔和明亮。混亂和黑暗的場地會引發事故。
- ▶ 不要在易爆環境，如有易燃液體、氣體或粉塵的環境下操作電動工具。電動工具產生的火花會點燃粉塵或氣體。
- ▶ 讓兒童和旁觀者離開後操作電動工具。注意力不集中會使你失去對工具的控制。

電氣安全

- ▶ 電動工具插頭必須與插座相配。絕不能以任何方式改裝插頭。需接地的電動工具不能使用任何轉換插頭。未經改裝的插頭和相配的插座將減少電擊危險。
- ▶ 避免人體接觸接地表面，如管道、散熱片和冰箱。如果你身體接地會增加電擊危險。
- ▶ 不得將電動工具暴露在雨中或潮濕環境中。水進入電動工具將增加電擊危險。
- ▶ 不得濫用電線。絕不能用電線搬運、拉動電動工具或拔出其插頭。使電線遠離熱源、油、銳邊或運動部件。受損或纏繞的軟線會增加電擊危險。
- ▶ 當在戶外使用電動工具時，使用適合戶外使用的外接軟線。適合戶外使用的軟線，將減少電擊危險。
- ▶ 如果在潮濕環境下操作電動工具是不可避免的，應使用剩餘電流動作保護器（RCD）。使用 RCD 可減小電擊危險。

18 | 中文

人身安全

- ▶ **保持警覺**，當操作電動工具時關注所從事的操作並保持清醒。當你感到疲倦，或在有藥物、酒精或治療反應時，不要操作電動工具。在操作電動工具時瞬間的疏忽會導致嚴重人身傷害。
- ▶ **使用個人防護裝置**。始終佩戴護目鏡。安全裝置，諸如適當條件下使用防塵面具、防滑安全鞋、安全帽、聽力防護等裝置能減少人身傷害。
- ▶ **防止意外起動**。確保開關在連接電源和 / 或電池盒、拿起或搬運工具時處於關斷位置。手指放在已接通電源的開關上或開關處於接通時插入插頭可能會導致危險。
- ▶ **在電動工具接通之前**，拿掉所有調節鑰匙或扳手。遺留在電動工具旋轉零件上的扳手或鑰匙會導致人身傷害。
- ▶ **手不要伸展得太長**。時刻注意立足點和身體平衡。這樣在意外情況下能很好地控制電動工具。
- ▶ **著裝適當**。不要穿寬鬆衣服或佩戴飾品。讓你的衣服、手套和頭髮遠離運動部件。寬鬆衣服、佩飾或長髮可能會捲入運動部件中。
- ▶ **如果提供了與排屑、集塵設備連接用的裝置**，要確保他們連接完好且使用得當。使用這些裝置可減少塵屑引起的危險。

電動工具使用和注意事項

- ▶ **不要濫用電動工具**，根據用途使用適當的電動工具。選用適當設計的電動工具會使你工作更有效、更安全。
- ▶ **如果開關不能接通或斷開工具電源**，則不能使用該電動工具。不能用開關來控制的電動工具是危險的且必須進行修理。
- ▶ **在進行任何調節、更換附件或貯存電動工具之前**，必須從電源上拔掉插頭和 / 或使電池盒與工具脫開。這種防護性措施將減少工具意外起動的危險。
- ▶ **將閒置不用的電動工具貯存在兒童所及範圍之外**，並且不要讓不熟悉電動工具或對這些說明不瞭解的人操作電動工具。電動工具在未經培訓的用戶手中是危險的。
- ▶ **保養電動工具**。檢查運動件是否調整到位或卡住，檢查零件破損情況和影響電動工具運行的其他狀況。如有損壞，電動工具應在使用前修理好。許多事故由維護不良的電動工具引發。
- ▶ **保持切削刀具鋒利和清潔**。保養良好的有鋒利切削刃的刀具不易卡住而且容易控制。
- ▶ **按照使用說明書**，考慮作業條件和進行的作業來使用電動工具、附件和工具的刀頭等。將電動工具用於那些與其用途不符的操作可能會導致危險。

電池式工具使用和注意事項

- ▶ **只用製造商規定的充電器充電**。將適用於某種電池盒的充電器用到其他電池盒時會發生著火危險。

- ▶ **只有在配有專用電池盒的情況下才使用電動工具**。使用其他電池盒會發生損壞和著火危險。
- ▶ **當電池盒不用時**，將它遠離其他金屬物體，例如回形針、硬幣、鑰匙、釘子、螺釘或其他小金屬物體，以防一端與另一端連接。電池端部短路會引起燃燒或火災。
- ▶ **在濫用條件下**，液體會從電池中濺出；避免接觸。如果意外碰到了，用水沖洗。如果液體碰到了眼睛，還要尋求醫療幫助。從電池中濺出的液體會發生腐蝕或燃燒。

檢修

- ▶ **將你的電動工具送交專業維修人員**，必須使用同樣的備件進行更換。這樣將確保所維修的電動工具的安全性。

針對馬刀鋸的安全規章

- ▶ **作業期間請用雙手牢牢握緊電動工具並保持穩固**。使用雙手才能夠更穩定地操作電動工具。
- ▶ **工作時如果安裝在電動工具上的工具可能斷開隱藏的電線**，一定要握住絕緣手柄操作機器。安裝在電動工具上的工具如果接觸了帶電的線路，電動工具上的金屬部件會導電，可能造成操作者觸電。
- ▶ **雙手必須遠離鋸割範圍**，手不可以握在工件下端。如果不小心碰觸了鋸片可能被割傷。
- ▶ **先開動電動工具後再把工具放置在工件上切割**。如果電動工具被夾在工件中，會有反擊的危險。
- ▶ **進行鋸切時**，請讓底座 2 緊壓著工件。鋸片可能在工作中被夾住，而令您無法控制電動工具。
- ▶ **工作告一段落時**，必須先關閉電動工具並等待機器完全靜止後，才可以從鋸縫中拔出鋸刀。如此不但可以防止反擊，而且可以防止放置機器時發生危險。
- ▶ **只能使用未受損，功能正常的鋸片**。彎曲或變鈍的鋸片可能斷裂，對鋸痕造成負面影響或導致反彈。
- ▶ **關機後不可以側壓刀片來制止仍然繼續轉動的刀片**。鋸刀可能因此受損、斷裂或者造成反擊。
- ▶ **牢牢地固定住工件**。不可以用手或腳支撐工件。不可以讓轉動中的電鋸接觸其他的物品或地面。有反擊的危險。
- ▶ **使用合適的偵測器**，以便找出隱藏著的電源線的位置。或者向當地的供電單位索取相關資料。鑽穿電線會造成火災並遭受電擊。損壞瓦斯管會引起爆炸。如果水管被刺穿了會導致財物損失。
- ▶ **固定好工件**。使用固定裝置或老虎鉗固定工件，會比用手握工件更牢固。
- ▶ **等待電動工具完全靜止後才能夠放下機器**。機器上的工具可能在工作中被夾住，而令您無法控制電動工具。

▶ 在電動工具上進行任何維護的工作（例如維修，更換工具等等），以及搬運、保存電動工具之前都必須從機器中取出蓄電池。不小心開動了起停開關可能造成傷害。

▶ 切勿打開蓄電池。可能造成短路。



保護蓄電池免受高溫（例如長期日照），火焰，水和濕氣的侵害。有爆炸的危險。

▶ 如果蓄電池損壞了，或者未按照規定使用蓄電池，蓄電池中會散發出有毒蒸汽。工作場所必須保持空氣流通，如果身體有任何不適必須馬上就醫。蓄電池散發的蒸汽會刺激呼吸道。

▶ 本蓄電池只能配合博世的電動工具一起使用。這樣才能確保蓄電池不會過載。

▶ 尖銳物品（例如釘子或螺絲起子）或是外力皆有可能造成充電電池損壞，進而導致內部短路而發生電池起火、冒煙、爆炸或過熱等事故。

產品和功率描述



閱讀所有的警告提示和指示。如未確實遵循警告提示和指示，可能導致電擊、火災並且 / 或其他的嚴重傷害。

按照規定使用機器

本電動工具可以鋸割木材、塑料、金屬和一般建材。鋸割時必須用力地將機器頂向工件。本機器能夠進行直線割鋸也能夠進行曲線割鋸。選用鋸刀時請參考本公司提出的建議。

本電動工具的燈光是設計用於照明電動工具的工作範圍，並不適用於居家照明。

插圖上的機件

機件的編號和電動工具詳解圖上的編號一致。

- 1 鋸片 *
- 2 底盤
- 3 沖擊桿
- 4 用以退出鋸片的扳片
- 5 懸掛架
- 6 振動旋轉開關（3 段式）
- 7 沖擊次數調整輪
- 8 起停開關
- 9 起停的防止起顫
- 10 蓄電池
- 11 蓄電池的充電電量指示燈
- 12 充電電量指示燈的按鍵
- 13 用以調整底座的解鎖按鈕
- 14 "PowerLight" 燈（雙 LED）
- 15 手柄（絕緣握柄）
- 16 蓄電池的解鎖按鍵

17 充電電池固定座

18 鋸刀接頭

* 將依照各國的規格款式隨貨提供不同鋸片。

技術性數據

馬刀鋸		GSA 18V-32	
物品代碼		3 601 FA8 1..	
充電電池包含在內 / 不含充電電池的尺寸			
- 長度	毫米	482/482	
- 寬度	毫米	101/101	
- 高度	毫米	218/198	
額定電壓	伏特 =	18	
無負載沖擊次數 n_0	次 / 分	0-2500	
工具夾頭		SDS	
沖程	毫米	32	
最大鋸割深度			
- 在木材	毫米	230	
- 在鋼鐵，非合金鋼	毫米	20	
- 管直徑	毫米	175	
重量符合			
EPTA-Procedure 01:2014	公斤	3.9	
容許環境溫度			
- 充電狀態下	°C	0...+45	
- 運轉時 * 與存放狀態下	°C	-20...+50	
建議使用之充電電池			
		GBA 18V..	
		GBA 18V... W	
建議使用的充電器			
		AL 18..	
		GAL 3680	
		GAL 18... W	

* 溫度 < 0 °C 時，性能受限
使用附帶的蓄電池所測得的技術數據。

安裝

為蓄電池充電

▶ 只能選用技術性數據裡所列出的充電器。僅有這些充電器適用於電動工具所使用的鋰離子充電電池。

指示：蓄電池在交貨時只完成部分充電。首度使用電動工具之前，必須先充足蓄電池的電以確保蓄電池的功率。

可以隨時為鋰離子蓄電池充電，不會縮短電池的使用壽命。如果充電過程突然中斷，也不會損壞電池。

本鋰離子蓄電池配備了 "Electronic Cell Protection (ECP) (電子充電室保護裝置)"，可以防止蓄電池過度放電。電池的電量如果用盡了，保護開關會自動關閉電動工具；安裝在機器上的工具會停止轉動。

▶ 電動工具被關閉之后，切勿繼續按住起停開關。可能損壞電池。

請注意有關作廢處理的規定。

20 | 中文

取出蓄電池 (參考插圖 A)

本蓄電池 10 具備了雙重鎖定。即使不小心觸動了蓄電池的解鎖按鍵 16，蓄電池也不會從機器中掉落出來。固定彈簧會把蓄電池夾緊在機器中。

拆卸蓄電池 10 時得先按住解鎖按鍵 16 接著再向後抽拉便可以從電動工具中取出蓄電池。 **不可以強制拉出蓄電池。**

蓄電池的充電電量指示燈

三個綠色的蓄電池充電電量指示燈 11 能夠顯示蓄電池 10 的現有電量。基於安全的顧慮，務必在電動工具靜止時 才能夠檢查蓄電池的電量。

按下按鍵 12 以便顯示充電狀況。拿出蓄電池 10 後也可以執行此步驟。

LED	容量
3 個綠燈持續亮著	≥2/3
2 個綠燈持續亮著	≥1/3
1 個綠燈持續亮著	<1/3
1 個綠燈閃爍	備用電量

按下按鍵 12 之後如果指示燈沒有反應，表示 蓄電池已經損壞了，必須更換電池。

充電時三個綠色指示燈會先后亮起並隨即熄滅。如果三個綠色指示燈持續亮著，代表蓄電池的 電量已經充足了，此時再經過 5 分鐘後充電電量指示燈 便會自動熄滅。

安裝 / 更換鋸刀

- ▶ 為電動工具做任何的維修工作之前，務必先取出蓄電池。
- ▶ 安裝鋸片時要戴上工作手套。如果接觸了鋸片，可能被割傷。
- ▶ 更換鋸刀時請注意，鋸刀接頭上不可以有任何雜物，例如木屑或金屬屑等。

選擇鋸片

根據加工物料選擇合適的鋸刀。

本說明書的開端，有鋸刀的一覽表。只能安裝有 ½"-通用插柄的鋸刀。鋸刀的長度不可以大過預定的鋸線。

鋸割狹窄的彎角時，必須使用窄的鋸刀。

安裝鋸刀 (參考插圖 B)

沿箭頭方向將用以退出鋸片的扳片 4 轉動約 60°，然後予以固定。將鋸片 1 推入鋸片座 18 內。再放開用以退出鋸片的扳片 4。

- ▶ 檢查鋸刀是否已經裝牢了。鬆動的鋸刀可能掉落並傷害您。

從事某些特別的工作時，可以把鋸刀 1 旋轉 180 度 (鋸齒朝上) 后再安裝。

拆卸鋸片 (參考插圖 B)

沿箭頭方向將用以退出鋸片的扳片 4 轉動約 60°，然後予以固定。將鋸片 1 從鋸片座 18 中退出。再放開用以退出鋸片的扳片 4。

吸鋸塵 / 吸鋸屑

- ▶ 含鉛的顏料以及某些木材、礦物和金屬的加工廢塵有害健康。機器操作者或者工地附近的人如果接觸、吸入這些廢塵，可能會有 過敏反應或者感染呼吸道疾病。

某些塵埃 (例如加工橡木或山毛櫸的廢塵) 可能致癌，特別是和處理 木材的添加劑 (例如木材的防腐劑等) 結合之後。只有經過專業訓練的人才能夠加工含石棉的物料。

- 工作場所要保持空氣流通。
- 最好佩戴 P2 濾網等級的口罩。

請留心並遵守貴國和加工物料有關的法規。

- ▶ 避免讓工作場所堆積過多的塵垢。塵埃容易被點燃。

操作**操作機器****安裝蓄電池 (參考插圖 A)**

- ▶ 只能使用博世原廠的鋰離子蓄電池，電池的電壓必須和機器銘牌上提供的電壓一致。使用其它廠牌的蓄電池，可能導致意外傷害並造成火災。

將已充好電的充電電池 10 裝入充電電池固定座 17 內，直到感覺到已確實卡上。

控制 / 設定沖擊次數

處理堅硬材質時 (例如鋼件)，可使用緩啟動以求下刀精準。

您可以無級式調節電動工具的沖擊次數。您在起停開關 8 上的施力大小，可以決定沖擊次數的高低。

輕按起停開關 8 沖擊次數低，按得越緊沖擊次數越高。

使用沖擊次數調整輪 7，可以設定沖擊次數，也可以在機器運轉中改變沖擊次數。

- 1: 低沖擊次數
- 6: 高沖擊次數

有了恆定電子裝置，機器的沖擊次數能夠在空轉和負載時都保持恆定。如此能夠確保均勻的運作功率。

正確的沖擊次數必須視工件物料和工作狀況而定。唯有實際操作才能找出最合適的沖擊次數。

起鋸時，或者鋸割塑料、鋁片時最好降低沖擊次數。

調整擺蕩功能

有了可調式擺蕩功能，可以根據加工物料設定最佳的鋸割速度、鋸割功率和鋸割效果。

使用旋轉開關 6 即使在操作機器時也可以調整擺蕩功能。

關閉擺動功能 (0 級)：

加工薄或硬的物料，例如鐵皮和鋼。
鋸割後鋸緣平整。

擺動檔位 1：

加工有色金屬，硬木，塑料或中硬度物料。

擺動檔位 2：

加工有色金屬，硬木，塑料或中硬度物料。
加工軟的工件，例如輕建材、絕緣材料、軟木和樹木等。

可翻轉和可以抽出的底盤

底盤 2 是活動的，可以隨時配合工作表面的角度。
您可以根據所使用的鋸刀和應用狀況，前後移動底盤 2，總共有 3 個移動位置。按下解鎖按鍵 13 並把底盤 2 移動到需要的位置上。放開解鎖按鍵 13 並檢查底盤 2 是否牢牢地固定好了。必要時得移動底盤 2 讓它正確地卡住。

若要清潔鋸片座 18，您可將解鎖按鈕 11 按住不放，然後將底盤 2 整個掀開。清潔完畢後，再將底座重新推回至其固定座內，並確認卡上。

▶ **請勿在運轉期間按壓此解鎖按鈕 13。** 否則您可能因無法再控制電動工具而受傷。

開動 / 關閉

啟動：請將作動安全鎖 9 往前推。將電源開關 8 往上推，並持續壓著。

關閉：放開電源開關 8。

有關操作方式的指點

- ▶ **在電動工具上進行任何維護的工作 (例如維修、更換工具等等)，以及搬運、保存電動工具之前都必須從機器中取出蓄電池。** 不小心開動了起停開關可能造成傷害。
- ▶ **鋸割輕建材時，必須注意有關的法令規定以及材料供應商提供的建議事宜。**
- ▶ **請注意：鋸片的長度必須始終超過加工工件的直徑，詳見圖 F。可能會發生反彈。**

鋸割木材、夾板以及其它建材之前，先檢查工件中是否隱藏了異物，例如釘子和螺絲等。如果發現異物必須馬上拔除。

先開動電動工具再把工具靠在工件上。把底盤 2 靠在工件的表面，接著再使用均勻的 下壓力或推進力鋸割工件。工作完備後隨手關閉電動工具。

如果鋸刀被夾住了，必須馬上關閉電動工具。使用合適的工具撐開鋸縫並拔出電動工具。

電動工具如果沾滿污垢，可能會影響機器的功能。因此不可以仰頭鋸割會產生大量灰塵的工件。

潛鋸 (參考插圖 E)

▶ **潛鋸只適用於軟的物料，例如木材、石膏夾板等！不可以金屬上進行潛鋸。**

▶ **進行穿刺切割時，請務必使用最長的 100 mm 鋸片。** 使用長型鋸片時不能抵靠著底座，所以電動工具沒有原本應有的固定支點。

把底盤 2 的下緣頂在工件表面上，然後再開動機器。如果電動工具有沖擊次數設定功能的話，必須選擇最高沖擊次數。用力地把電動工具壓向工件，並讓鋸刀慢慢地潛入工件中。

待底盤 2 平貼著工件表面後，便可以沿著鋸線向前鋸割。

針對特殊的工作，可以把鋸刀 1 翻轉 180 度後再安裝，並且把電鋸翻轉過來操作。

平鋸 (參考插圖 F)

使用具有彈性的雙金屬鋸片，能夠鋸平凸出在牆上的建築構件 (例如水管等)。

把鋸刀直接靠在牆上，側壓電動工具讓底盤貼在牆面上。開動電動工具並使用均勻的側壓力鋸斷工件。

懸掛架 (參考插圖 D)

使用懸掛架 5 可以把電動工具掛在梯子上。懸掛機器之前，先把懸掛架 5 掀開到合適的位置。

▶ **電動工具懸掛時請注意：為避免不慎碰觸，鋸片應做好防護措施。** 人員可能有受傷之虞。

使用電動工具工作之前，必須先收回懸掛架 5。

冷卻劑 / 潤滑劑

鋸割金屬時由於物料會變熱，必須在鋸割線上塗抹冷卻劑或潤滑劑。

如何正確地使用蓄電池

蓄電池必須儲存在攝氏 -20 到 50 度的環境中。夏天不可以把蓄電池擱置在汽車中。

不定時地使用柔軟，清潔而且乾燥的毛刷清潔蓄電池的通氣孔。

充電後如果蓄電池的使用時間明顯縮短，代表蓄電池已經損壞，必須更換新的蓄電池。

請注意有關作廢處理的規定。

維修和服務**維修和清潔**

▶ **在電動工具上進行任何維護的工作 (例如維修、更換工具等等)，以及搬運、保存電動工具之前都必須從機器中取出蓄電池。** 不小心開動了起停開關可能造成傷害。

▶ **電動工具和通風間隙都必須保持清潔，這樣才能夠提高工作品質和安全性。**

最好使用壓縮空氣或軟毛刷清潔鋸片接頭。此時必須先拆卸電動工具上的鋸片，並且使用合適的潤滑劑潤滑接頭，以確保接頭的運作功能。

22 | 한국어

顧客服務處和顧客諮詢中心

本公司顧客服務處負責回答有關本公司產品的修理、維護和備件的問題。以下的網頁中有爆炸圖和備件的資料：

www.bosch-pt.com

博世顧客諮詢團隊非常樂意為您解答有關本公司產品及附件的問題。

當您需要諮詢或訂購備用零組件時，請務必提供本產品型號銘牌上的 10 位項目編號。

台灣

台灣羅伯特博世股份有限公司

建國北路一段 90 號 6 樓

台北市 10491

電話：(02) 2515 5388

傳真：(02) 2516 1176

www.bosch-pt.com.tw

製造商地址：

Robert Bosch Power Tools GmbH

羅伯特·博世電動工具有限公司

70538 Stuttgart / GERMANY

70538 斯圖加特 / 德國

搬運

隨著機器一起供貨的鋰離子蓄電池必須受危險物品法規規範。使用者無須另外使用保護包裝便可以運送該蓄電池。

但是如果將它交由第三者運送（例如：寄空運或委託運輸公司）則要使用特殊的包裝和標示。此時必須向危險物品專家請教有關寄送危險物品的相關事宜。

確定蓄電池的外殼未受損後，才可以寄送蓄電池。粘好未加蓋的觸點並包裝好蓄電池，不可以讓蓄電池在包裝中晃動。

必要時也得注意各國有關的法規。

處理廢棄物

必須以符合環保的方式，回收再利用損壞的電動工具、蓄電池、附件和廢棄的包裝材料。

不可以把電動工具和蓄電池 / 電池丟入一般的家庭垃圾中！

蓄電池 / 一般電池：

鋰離子：
請注意“搬運”段落中的指示，頁 22。

保留修改權。

한국어**안전 수칙****전동공구용 일반 안전수칙**

⚠ 경고 모든 안전수칙과 지시 사항을 상세히 읽고 지켜야 합니다. 다음의 안전수칙과 지시 사항을 준수하지 않으면 화재 위험이 있으며 감전 혹은 중상을 입을 수 있습니다.

앞으로의 참고를 위해 이 안전수칙과 사용 설명서를 잘 보관하십시오.

다음에서 사용되는 “전동공구” 라는 개념은 전원에 연결하여 사용하는 전동 기기 (전선이 있는) 나 배터리를 사용하는 전동 기기 (전선이 없는) 를 의미합니다.

작업장 안전

▶ **작업장을 항상 깨끗이 하고 조명을 밝게 하십시오.** 작업장 환경이 어수선하거나 어두우면 사고를 초래할 수 있습니다.

▶ **가연성 유체, 가스 또는 분진이 있어 폭발 위험이 있는 환경에서 전동공구를 사용하지 마십시오.** 전동공구는 분진이나 증기에 점화하는 스파크를 일으킬 수 있습니다.

▶ **전동공구를 사용할 때 경계꾼이나 어린이 혹은 다른 사람이 작업장에 접근하지 못하게 하십시오.** 다른 사람이 주의를 산만하게 하면 기기에 대한 통제를 잃기 쉽습니다.

전기에 관한 안전

▶ **전동공구의 전원 플러그가 전원 콘센트에 잘 맞아야 합니다.** 플러그를 조금이라도 변경시켜서는 안됩니다. 접지된 전동공구를 사용할 때 어댑터 플러그를 사용하지 마십시오. 변형되지 않은 플러그와 잘 맞는 콘센트를 사용하면 감전의 위험을 감소할 수 있습니다.

▶ **파이프 관, 라디에이터, 레인지, 냉장고와 같은 접지 표면에 물이 닿지 않도록 하십시오.** 몸에 닿을 경우 감전될 위험이 높습니다.

▶ **전동공구를 비에 맞지 않게 하고 습기 있는 곳에 두지 마십시오.** 전동공구에 물이 들어가면 감전될 위험이 높습니다.

▶ **전원 코드를 잡고 전동공구를 운반하거나 걸어 놓아서는 안되며, 콘센트에서 전원 플러그를 뽑을 때 전원 코드를 잡아 당겨서는 절대로 안됩니다.** 전원 코드가 열과 오일에 접촉하는 것을 피하고, 날카로운 모서리나 기기의 가동 부위에 닿지 않도록 주의하십시오. 손상되거나 엉킨 전원 코드는 감전을 유발할 수 있습니다.

▶ **실외에서 전동공구로 작업할 때는 실외용으로 적당한 연장 전원 코드만을 사용하십시오.** 실외용 연장 전원 코드를 사용하면 감전의 위험을 줄일 수 있습니다.

- ▶ 전동공구를 습기 찬 곳에서 사용해야 할 경우에는 누전 차단기를 사용하십시오. 누전 차단기를 사용하면 감전 위험을 줄일 수 있습니다.

사용자 안전

- ▶ 신중하게 작업하십시오. 작업을 할 때 주의를 하며, 전동공구를 사용할 때 경솔하게 행동하지 마십시오. 피로한 상태이거나 약물 복용 및 음주한 후에는 전동공구를 사용하지 마십시오. 전동공구를 사용할 때 잠시라도 주위가 산만해지면 중상을 입을 수 있습니다.
- ▶ 작업자 안전을 위한 장치를 사용하십시오. 항상 보호안경을 착용하십시오. 전동공구의 종류와 사용에 따라 먼지 보호 마스크, 미끄러지지 않는 안전한 신발, 안전모 또는 귀마개 등의 안전한 복장을 하면 상해의 위험을 줄일 수 있습니다.
- ▶ 실수로 기기가 작동되지 않도록 주의하십시오. 전동공구를 전원에 연결하거나 배터리를 끼우기 전에, 혹은 기기를 들거나 운반하기 전에, 전원 스위치가 꺼져 있는지 다시 확인하십시오. 전동공구를 운반할 때 전원 스위치에 손가락을 대거나 전원 스위치가 켜진 상태에서 전원을 연결하면 사고 위험이 높습니다.
- ▶ 전동공구를 사용하기 전에 조절하는 톨이나 나사 키 등을 빼 놓으십시오. 회전하는 부위에 있는 톨이나 나사 키로 인해 상처를 입을 수 있습니다.
- ▶ 자신을 과신하지 마십시오. 불안정한 자세를 피하고 항상 평형을 이룬 상태로 작업하십시오. 안정된 자세와 평형한 상태로 작업해야만이 의외의 상황에서 전동공구를 안전하게 사용할 수 있습니다.
- ▶ 알맞은 작업복을 입으십시오. 헐렁한 복장을 하거나 장신구를 착용하지 마십시오. 머리카락 또는 장갑이 가동하는 기기 부위에 가까이 닿지 않도록 주의하십시오. 헐렁한 복장, 장신구 혹은 긴 머리는 가동 부위에 닿아 사고를 초래할 수 있습니다.
- ▶ 분진 추출장치나 수거장치의 조립이 가능한 경우, 이 장치가 연결되어 있는지, 제대로 작동이 되는지 확인하십시오. 이러한 분진 추출장치를 사용하면 분진으로 인한 사고 위험을 줄일 수 있습니다.

전동공구의 올바른 사용과 취급

- ▶ 기기를 과부하 상태에서 사용하지 마십시오. 작업할 때 이에 적당한 전동공구를 사용하십시오. 알맞은 전동공구를 사용하면 지정된 성능 한도 내에서 더 효율적으로 안전하게 작업할 수 있습니다.
- ▶ 전원 스위치가 고장 난 전동공구를 사용하지 마십시오. 전원 스위치가 작동되지 않는 전동공구는 위험하므로, 반드시 수리를 해야 합니다.
- ▶ 기기에 세팅을 하거나 액세서리 부품을 교환하거나 혹은 기기를 보관할 때, 항상 전원 콘센트에서 플러그를 미리 빼어 놓으십시오. 이러한 조치는 실수로 전동공구가 작동하게 되는 것을 예방합니다.
- ▶ 사용하지 않는 전동공구는 어린이 손이 닿지 않는 곳에 보관하고, 전동공구 사용에 익숙지 않거나 이 사용 설명서를 읽지 않은 사람은 기기를 사용해서는 안 됩니다. 경험이 없는 사람이 전동공구를 사용하면 위험합니다.

- ▶ 전동공구를 조심스럽게 관리하십시오. 가동 부위가 하자 없이 정상적인 기능을 하는지, 걸리는 부위가 있는지, 혹은 전동공구의 기능에 중요한 부품이 손상되지 않았는지 확인하십시오. 손상된 기기의 부품은 전동공구를 다시 사용하기 전에 반드시 수리를 맡기십시오. 제대로 관리하지 않은 전동공구의 경우 많은 사고를 유발합니다.
- ▶ 절단 공구를 날카롭고 깨끗하게 관리하십시오. 날카로운 절단면이 있고 잘 관리된 절단공구는 걸리는 경우가 드물고 조절하기도 쉽습니다.
- ▶ 전동공구, 액세서리, 장착하는 공구 등을 사용할 때, 이 지시 사항과 특별히 기종 별로 나와있는 사용 방법을 준수하십시오. 이때 작업 조건과 실시하려는 작업 내용을 고려하십시오. 원래 사용 분야가 아닌 다른 작업에 전동공구를 사용할 경우 위험한 상황을 초래할 수 있습니다.

충전 전동공구의 올바른 사용과 취급

- ▶ 배터리를 충전할 때 제조 회사가 추천하는 충전기만을 사용하여 재충전해야 합니다. 특정 제품의 배터리를 위하여 제조된 충전기에 적합하지 않은 다른 배터리를 충전할 경우 화재 위험이 있습니다.
- ▶ 각 전동공구용으로 나와있는 배터리를 사용하십시오. 다른 종류의 배터리를 사용하면 상해를 입거나 화재를 초래할 수 있습니다.
- ▶ 배터리를 사용하지 않을 때는, 각 극 사이에 브리징 상태가 생길 수 있으므로 페이퍼 클립, 동전, 열쇠, 못, 나사 등 유사한 금속성 물체와 멀리하여 보관하십시오. 배터리 극 사이에 쇼트가 일어나 화상을 입거나 화재를 야기할 수 있습니다.
- ▶ 배터리를 잘못 사용하면 누수가 생길 수 있습니다. 누수가 생긴 배터리에 닿지 않도록 하십시오. 피부에 접하게 되었을 경우 즉시 물로 씻으십시오. 유체가 눈에 닿았을 경우 바로 의사와 상담하십시오. 배터리에서 나오는 유체는 피부에 자극을 주거나 화상을 입힐 수 있습니다.

서비스

- ▶ 전동공구 수리는 반드시 전문 인력에게 맡기고, 수리 정비 시 보쉬 순정 부품만을 사용하십시오. 그렇게 함으로써 기기의 안전성을 오래 유지할 수 있습니다.

전동 흡입 안전 수칙

- ▶ 전동공구를 두 손으로 꼭 잡고 안전한 자세로 작업하십시오. 전동공구는 두 손으로 사용하면 더 안전합니다.
- ▶ 작업할 때 톨날로 보이지 않는 전선에 닿을 위험이 있으면 전동공구의 절연된 손잡이 면을 잡으십시오. 톨날이 전류가 흐르는 전선에 접하게 되면 기기의 급속 부위에 전기가 통해 감전될 위험이 있습니다.
- ▶ 절단 부위에 손을 가까이 대지 마십시오. 작업물의 아래쪽을 잡지 마십시오. 날과 접하게 되면 상해를 입을 수 있습니다.

24 | 한국어

- ▶ 전동공구를 켜 상태에서만 작업물에 서서히 접근하십시오. 그렇지 않으면 톨날이 작업물에 걸리면서 반동이 생길 위험이 있습니다.
- ▶ 톨질 작업 시 밀판 2 를 가공물 쪽으로 세게 누르십시오. 톨날이 걸리거나 전동공구에 대한 통제가 어려워질 수 있습니다.
- ▶ 작업을 마치고 나서 전동공구의 스위치를 끄고 기기가 완전히 정지된 후에 절단면에서 톨날을 빼십시오. 이렇게 하면 반동이 생기는 것을 방지할 수 있으며 전동공구를 안전하게 내려 놓을 수 있습니다.
- ▶ 반드시 손상되지 않은 하자 없는 톨날만을 사용하십시오. 휘거나 날카롭지 않은 톨날이 부러져 절단에 지장을 주거나 반동을 유발할 수 있습니다.
- ▶ 스위치를 끄고 나서 톨날을 옆에서 눌러 정지해서는 안됩니다. 이로 인해 톨날이 손상되거나 부러질 수 있으며 혹은 반동을 유발할 수 있습니다.
- ▶ 작업하려는 소재를 잘 고정하십시오. 작업물을 손이나 발로 받치지 마십시오. 전동 톨이 켜진 상태에서 다른 물건이나 바닥에 닿지 않도록 하십시오. 반동이 생길 위험이 있습니다.
- ▶ 보이지 않는 부위에 에너지 배선 및 배관여부를 확인하려면 적당한 탐지기를 사용하거나 탐당 에너지 공급회사에 문의하십시오. 전선에 접촉하게 되면 화재나 전기 충격을 유발할 수 있습니다. 가스관을 손상시키면 폭발 위험이 있으며 수도관을 파손하게 되면 재산 피해를 야기할 수 있습니다.
- ▶ 작업물을 잘 고정하십시오. 고정장치나 기계 바이스에 끼워서 작업하면 손으로 잡는 것보다 더 안전합니다.
- ▶ 전동공구를 내려놓기 전에 기기가 완전히 멈추었는지를 확인하십시오. 벨트가 걸려 전동공구에 대한 통제가 어려워질 수 있습니다.
- ▶ 전동공구에 각종 작업 (보수 정비 및 액세스리 교환 등) 을 하거나 전동공구를 운반하거나 보관할 경우 배터리를 전동공구에서 빼십시오. 실수로 전원 스위치가 작동하게 되면 상해를 입을 위험이 있습니다.
- ▶ 배터리를 분해하지 마십시오. 단락이 발생할 위험이 있습니다.



배터리를 태양 광선 등 고열에 장시간 노출되지 않도록 하고 불과 물, 수분이 있는 곳에 두지 마십시오. 폭발할 위험이 있습니다.

- ▶ 배터리가 손상되었거나 잘못 사용될 경우 증기가 발생할 수 있습니다. 작업장을 환기시키고, 필요한 경우 의사와 상담하십시오. 증기로 인해 호흡기가 자극될 수 있습니다.
- ▶ 배터리를 보쉬 전동공구와 함께 사용해야 합니다. 그렇게 해야만 배터리를 위험한 과부하로부터 보호할 수 있습니다.
- ▶ 못이나 스크류 드라이버 같은 뾰족한 물체 또는 외부에서 오는 충격 등으로 인해 배터리가 손상될 수 있습니다. 내부 단락이 발생하여 배터리가 타거나 연기가 발생하고, 폭발 또는 과열될 수 있습니다.

제품 및 성능 소개



모든 안전수칙과 지시 사항을 상세히 읽고 지켜야 합니다. 다음의 안전수칙과 지시 사항을 준수하지 않으면 화재 위험이 있으며 감전 혹은 중상을 입을 수 있습니다.

규정에 따른 사용

본 전동공구는 목재 플라스틱 금속 그리고 건축 자재에 톨질작업을 하는데 사용해야 합니다. 직선 및 곡선 절단작업에 적합합니다. 권장하는 톨날을 사용해야 합니다.

전동공구의 라이트는 직접 공구 작업 범위를 조명하는데에 최적화되어 있으며, 가정 공간 조명에는 적합하지 않습니다.

제품의 주요 명칭

제품의 주요 명칭에 표기된 번호는 도면에 나와있는 전동공구의 그림을 참조하십시오.

- 1 톨날 *
- 2 밀판
- 3 리프팅 로드
- 4 톨날 잠금 해제장치 레버
- 5 톨 길이 고리
- 6 진동 설정 스위치 (3 단계)
- 7 스트로크 수 선택 스위치
- 8 전원 스위치
- 9 시동 안전 잠금장치
- 10 배터리
- 11 배터리 충전 상태 표시기
- 12 충전 상태 표시기용 버튼
- 13 밀판 조절용 잠금 해제 버튼
- 14 "PowerLight" 램프 (이중 LED)
- 15 손잡이 (절연된 손잡이 부위)
- 16 배터리 해제 버튼
- 17 배터리 탈착부
- 18 톨날 출더

* 각 국가별 사양에 따라 포함되어 있는 톨날에 차이가 있을 수 있습니다.

제품 사양

전동 톨	GSA 18V-32	
제품 번호	3 601 FA8 1..	
배터리 포함 / 배터리 미포함 치수		
- 길이	mm	482/482
- 내경	mm	101/101
- 높이	mm	218/198
정격 전압	V=	18

* 온도가 0 °C 보다 낮은 경우 성능 제한 있음
기계 사양은 함께 공급되는 배터리를 사용한 경우입니다.

전동 톱		GSA 18V-32	
무부하 시 스트로크 수 n_0	min ⁻¹	0-2500	
툴 홀더		SDS	
스트로크	mm	32	
최대 절단 깊이			
- 목재	mm	230	
- 비금속	mm	20	
- 파이프 직경	mm	175	
EPTA 공정 01:2014 에 따른 중량	kg	3.9	
허용되는 주변 온도			
- 충전 시	°C	0...+45	
- 작동 시 * 및 보관 시	°C	-20...+50	
권장 배터리		GBA 18V.. GBA 18V...W	
권장하는 충전기		AL 18.. GAL 3680 GAL 18...W	

* 온도가 0 °C 보다 낮은 경우 성능 제한 있을
기계 사양은 함께 공급되는 배터리를 사용한 경우입니다.

조립

배터리 충전하기

▶ **기술자료에 기재되어 있는 충전기만 사용하십시오.**
이 충전기만이 귀하의 전동공구에 사용된 리튬-이온 배터리에 적합합니다.

참고: 배터리는 일부 충전되어 공급됩니다. 배터리의 성능을 안전하게 보장하기 위해서는 처음 사용하기 전에 배터리를 완전히 충전기에 충전하십시오.

리튬이온 배터리는 항상 충전할 수 있으며, 이로 인해 수명이 단축되지 않습니다. 충전을 하다 중간에 중지해도 배터리가 손상되지 않습니다.

리튬이온 배터리는 전자 셀 보호 "Electronic Cell Protection (ECP)" 기능이 있어 과도한 방전이 되지 않습니다. 배터리가 방전되면 안전 스위치가 작동하여 전동공구가 꺼지고 비트가 더 이상 움직이지 않습니다.

▶ **전동공구가 자동으로 작동이 중단된 경우 전원 스위치를 더 계속 누르지 마십시오.** 이로 인해 배터리가 손상될 수 있습니다.

처리에 관련된 지시 사항을 준수하십시오.

배터리 탈착하기 (그림 A 참조)

배터리 10은 배터리 해제 버튼 16이 실수로 눌러져 배터리가 빠지는 것을 방지하기 위해 잠금장치가 이중으로 되어 있습니다. 전동공구에 배터리가 끼워져 있는 동안 이는 스프링으로 제 위치에 고정됩니다.

배터리 10을 빼려면 해제 버튼 16을 누른 상태로 배터리를 전동공구 뒤쪽으로 잡아 당기면 됩니다. **이때 무리하게 힘을 가하지 마십시오.**

배터리 충전 상태 표시기

배터리 충전 상태 표시기 11에서 있는 세 개의 녹색 LED는 배터리 10의 충전 상태를 표시합니다. 안전을 위하여 충전 상태의 확인은 전동공구가 중지된 상태에서만 가능합니다.

충전 상태를 확인하려면 버튼 12를 누르십시오. 이는 배터리 10이 탈착된 경우에도 가능합니다.

LED	용량
연속등 3x 녹색	≥2/3
연속등 2x 녹색	≥1/3
연속등 1x 녹색	<1/3
점멸등 1x 녹색	예비

버튼 12를 눌렀는데도 LED가 켜지지 않으면 배터리가 손상된 것이므로 교환해 주어야 합니다.

충전 과정 중에는 세 개의 녹색 LED가 차례로 켜졌다가 잠깐 꺼집니다. 세 개의 LED가 계속 켜져 있으면 배터리가 완전히 충전된 것입니다. 배터리가 완전히 충전된 후 5분이 지나면 세 개의 녹색 LED가 다시 꺼집니다.

톱날 끼우기 / 교환하기

▶ **전동공구에 각종 작업을 하기 전에 배터리를 빼십시오.**

▶ **톱날을 끼울 때 보호 장갑을 착용하십시오.** 톱날에 닿게 되면 상해를 입을 수 있습니다.

▶ **톱날을 교환할 때 톱날 홀더에 절단 시 생기는 목재의 톱밥이나 금속 찌꺼기가 남아 있지 않은지 확인하십시오.**

톱날 선택하기

반드시 작업하려는 소재에 적당한 톱날만을 사용하십시오.

추천 톱날의 목록은 이 사용서의 앞부분에 나와 있습니다. ½" (12.7 mm)-유니버설 소프트가 있는 톱날 만을 끼우십시오. 톱날이 계획한 절단 깊이보다 길어서는 안됩니다.

폭이 좁은 곡선 작업을 하려면 가는 톱날을 사용하십시오.

톱날 끼우기 (그림 B 참조)

톱날 잠금 해제장치 레버 4를 약 60° 정도 화살표 방향에 따라 돌린 후 꼭 잡고 계십시오. 톱날 1을 톱날 홀더 18쪽으로 미십시오. 톱날 잠금 해제장치 레버 4에서 다시 손을 떼십시오.

▶ **톱날이 제대로 끼워졌는지 확인해 보십시오.** 느슨하게 걸린 톱날은 빠질 수 있으며 이로 인해 작업자가 상해를 입을 수 있습니다.

특정한 작업을 할 경우 톱날 1을 또한 180° 돌린 다음 (톱날이 위로 향하게 하여) 다시 끼울 수 있습니다.

26 | 한국어

톱날 탈착하기 (그림 B 참조)

톱날 잠금 해제장치 레버 **4** 를 약 60° 정도 화살표 방향에 따라 돌린 후 꼭 잡고 계십시오. 톱날 **1** 을 톱날 홀더 **18** 에서 당겨내십시오. 톱날 잠금 해제장치 레버 **4** 에서 다시 손을 떼십시오.

분진 및 톱밥 추출장치

▶ 납 성분을 포함한 페인트나 몇몇 나무 종류, 또는 광물 성분 그리고 철과 같은 재료의 분진은 건강을 해칠 수 있습니다. 이 분진을 만지거나 호흡할 경우, 사용자나 주변 사람들은 알레르기 반응이나 호흡기 장애를 일으킬 수 있습니다. 딱갈나무나 너도밤나무와 같은 특정한 분진은 암을 유발시키며, 특히 목재 처리용으로 사용되는 부가 원료 (크로마트, 목재 보호제)와 혼합되면 암을 유발 시키게 됩니다. 석면 성분을 포함한 재료는 오직 전문가가 작업을 해야 합니다.

- 작업장의 통풍이 잘 되도록 하십시오.
- 필터등급 P2 가 장착된 호흡 마스크를 사용하십시오.

작업용 재료에 관해 국가가 지정한 규정을 고려하십시오.

▶ **작업장에 분진이 쌓이지 않도록 하십시오.** 분진이 쉽게 발화할 수 있습니다.

작동**기계 시동****배터리 장착하기 (그림 A 참조)**

▶ 반드시 귀하의 전동공구 타입 표시판에 나와 있는 전압의 보쉬 순정 리튬이온 배터리만을 사용하십시오. 다른 배터리를 사용하면 상해를 입거나 화재가 발생할 위험이 있습니다.

충전된 배터리 **10** 은 배터리가 맞물려 고정되는 것이 느껴질 때까지 배터리 홀더 **17** 쪽으로 미십시오.

스트로크 수 조절하기 / 설정하기

딱딱한 소재 (예 : 강재) 의 경우 부드럽게 작동을 시작하면 절단이 정밀하게 진행됩니다.

전동공구가 켜진 상태에서 전원 스위치 **8** 을 어느 정도 누르는가에 따라 스트로크 수를 무단으로 조절할 수 있습니다.

전원 스위치 **8** 을 가볍게 누르면 저속으로 작동하고 강하게 누를수록 스트로크 수가 높아집니다.

스트로크 수 설정용 선편 **7** 로 스트로크 수를 설정하고 작동 중에도 변경이 가능합니다.

- 1: 낮은 스트로크 수
- 6: 높은 스트로크 수

일정 속도 전자제어장치는 무부하 시나 부하 시의 회전 속도를 거의 일정하게 유지하여 동일한 작업 결과를 보장합니다.

작업 소재와 작업 조건에 따라 필요로 하는 스트로크 수가 달라지므로 실제 시험을 통해 결정할 수 있습니다. 톱날을 작업물에 대거나 플라스틱과 알루미늄에 톱질작업을 할 때 스트로크 수를 감소하는 것이 좋습니다.

오비탈 작동 조절하기

오비탈 작동 조절이 가능하여 작업하려는 소재에 적당한 절단 속도, 절단 성능 그리고 절단 모양을 선택할 수 있습니다.

작동 스위치 **6** 을 사용하여 기기가 작동 중에도 오비탈 작동을 조절할 수 있습니다.

오비탈 작동 꺼짐 (0 단계):

함석이나 철판 등 얇고 경질의 소재에 작업할 경우, 깨끗한 모서리 절단작업.

진동 1 단계:

비금속, 경목, 플라스틱 등 중간 경도의 소재에 작업할 경우.

진동 2 단계:

비금속, 경목, 플라스틱 등 중간 경도의 소재에 작업할 경우.

연성 건축 자재, 절연재, 연목 등 연질의 소재에 작업할 경우.

각도 조절과 깊이 조절이 가능한 밀판

밀판 **2** 는 조절이 가능하므로 각각의 필요한 표면 각도 위치에 맞게 맞출 수 있습니다.

사용하는 톱날과 작업에 따라 밀판 **2** 는 3 단계로 조절 가능합니다. 조절 버튼 **13** 을 누른 상태에서 밀판 **2** 를 원하는 위치로 미십시오. 조절 버튼 **13** 을 놓고, 밀판 **2** 가 제대로 고정되어 있는지 확인하십시오. 밀판 **2** 가 반드시 고정되어 있어야 합니다.

톱날 홀더 **18** 가지척을 위해 잠금 해제 버튼 **11** 를 누른 상태로 밀판 **2** 를 당겨 완전히 빼낼 수 있습니다. 세척 후 밀판을 다시 홀더에 맞물려 끼우십시오.

▶ **작동 중에는 잠금 해제 버튼 13 을 누르지 마십시오.** 전동공구에 대한 통제력을 잃어 부상을 입을 수도 있습니다.

전원 스위치 작동

스위치 켜기: 시동 안전 잠금장치 **9** 를 앞쪽으로 누르십시오. 전원 스위치 **8** 을 위쪽으로 누르고 누른 상태를 유지하십시오.

스위치 끄기: 전원 스위치 **8** 에서 손을 떼십시오.

사용방법

▶ **전동공구에 각종 작업 (보수 정비 및 액세서리 교환 등) 을 하거나 전동공구를 운반하거나 보관할 경우 배터리를 전동공구에서 빼십시오.** 실수로 전원 스위치가 작동하게 되면 상해를 입을 위험이 있습니다.

▶ **연질의 건축 자재에 톱질작업을 할 경우 법정 규정에 따르면 소재 제조사의 추천 내용을 준수하십시오.**

▶ **톱날은 항상 가공물 직경보다 길어야 합니다(그림 F 참조).** 반동이 발생할 수 있습니다.

목재, 판지, 건축자재 등에 톱질작업을 할 때 못이나 나사같은 이물질이 있는지 확인하고, 있다면 이를 제거하십시오.

전동공구의 스위치를 켜고 작업하려는 작업물에 접근하십시오. 밀판 2를 작업물 위에 올려 놓고 일정한 압력으로 밀면서 절단하십시오. 작업을 마치고 나서 전동공구의 스위치를 끕니다.

톱날이 물려 움직이지 않을 경우 곧바로 전동공구의 스위치를 끄십시오. 적당한 공구를 사용하여 톱날이 끼인 틈새를 약간 벌린 후 전동공구를 빼냅니다.

전동공구가 지나치게 오염되어 있으면 기능 장애가 생길 수 있습니다. 그렇기 때문에 분진이 많이 발생하는 소재에 톱질작업을 할 때 아래서부터 또는 머리 위에서 작업하지 마십시오.

삽입 절단작업 (플러시 컷) (그림 E 참조)

▶ 삽입 톱질 방식은 목재와 석고판 등 연질의 소재 작업 시에만 사용해야 합니다! 금속 소재에는 삽입 톱질 방식으로 작업해서는 안됩니다!

▶ 톱질 작업에는 길이가 최대 100 mm 이하인 톱날만 사용하십시오. 톱날이 더 길면 받침대를 설치할 수 없고, 전동공구가 요구되는 지지력을 유지하지 못합니다.

밀판 2 모서리가 작업물 표면에 닿게 놓은 다음, 전동공구의 스위치를 켭니다. 스트로크 수 제어장치가 있는 전동공구의 경우 최대 값으로 선택하십시오. 전동공구를 작업물에 대고 누르고 톱날을 천천히 작업물 안으로 들어가게 합니다.

밀판 2가 작업물 표면에 완전히 닿게 되면 원하는 절단선을 따라 계속 절단작업을 하십시오.

특정 작업을 할 경우 톱날 1을 또한 180° 돌려서 끼우고 전동 톱을 이에 맞게 돌려서 사용할 수 있습니다.

플러시 절단작업 (그림 F 참조)

탄성이 있는 바이메탈 톱날을 사용하면 바로 벽 옆으로 나와있는 배수관 등의 건축 자재를 절단할 수 있습니다. 톱날을 벽 바로 옆에 대고 밀판이 벽에 닿을 때까지 전동공구에 가로 압력을 가하여 약간 휘게 합니다. 전동공구의 스위치를 켜고 일정한 가로 압력을 가하며 작업물을 절단하십시오.

톱 걸이 고리 (그림 D 참조)

톱 걸이 고리 5가 있어서 전동공구를 사다리 등에 걸어 놓을 수 있습니다. 이 경우 톱 걸이 고리 5를 원하는 위치로 펴십시오.

▶ 전동공구가 걸려 있을 때는 의도하지 않게 톱날과 접촉되는 경우를 방지할 수 있도록 유의하십시오. 부상을 입을 수 있습니다.

전동공구로 작업할 때는 톱 걸이 고리 5를 다시 눌러 끼우십시오.

냉각제 / 윤활제

금속에 톱질작업을 할 때 작업물이 과열되기 때문에 절단선을 따라 냉각제나 윤활제를 발라 주어야 합니다.

올바른 배터리의 취급 방법

배터리를 -20°C에서 50°C 온도 범위에서만 저장하십시오. 예를 들면 배터리를 여름에 자동차 안에 두지 마십시오.

가끔 배터리의 통풍구를 부드럽고 깨끗한 마른 솔로 청소하십시오.

충전 후 작동 시간이 현저하게 짧아지면 배터리의 수명이 다한 것이므로 배터리를 교환해야 합니다.

처리에 관련된 지시 사항을 준수하십시오.

보수 정비 및 서비스

보수 정비 및 유지

▶ 전동공구에 각종 작업 (보수 정비 및 액세서리 교환 등)을 하거나 전동공구를 운반하거나 보관할 경우 배터리를 전동공구에서 빼십시오. 실수로 전원 스위치가 작동하게 되면 상해를 입을 위험이 있습니다.

▶ 안전하고 올바른 작동을 위하여 전동공구와 전동공구의 통풍구를 항상 깨끗이 하십시오.

가능하면 압축 공기나 부드러운 솔을 사용하여 톱날 홀더를 깨끗이 닦아 주십시오. 이때 톱날을 전동공구에서 빼십시오. 적당한 윤활제를 사용하여 톱날 홀더의 기능을 유지하십시오.

보쉬 AS 및 고객 상담

보쉬는 귀하의 제품 및 수리에 관한 문의를 받고 있습니다.

AS 센터 정보 및 제품에 대한 고객 상담은 하기 고객 콜센터 및 이메일 상담을 이용해주시기 바랍니다.

고객 콜센터 : 080-955-0909

이메일 상담 : Bosch-pt.hotline@kr.bosch.com

문의나 대체 부품 주문 시에는 반드시 제품 네임 플레이트에 있는 10 자리의 부품번호를 알려 주십시오.

Bosch Korea, RBKR
Mechanics and Electronics Ltd.
PT/SAX-ASA
298 Bojeong-dong Giheung-gu
Yongin-si, Gyeonggi-do, 446-913
Republic of Korea
080-955-0909

운반

포함되어 있는 리튬이온 배터리는 위험물 관련 규정을 따라야 합니다. 사용자가 별도의 요구사항 없이 배터리를 직접 도로 상에서 운반할 수 있습니다.

제 3 자를 통해 운반할 경우 (항공 운송이나 운송 회사 등) 포장과 표기에 관한 특별한 요구 사항을 준수해야 합니다. 이 경우 발송 준비를 위해 위험물 전문가와 상담해야 합니다.

표면이 손상되지 않은 배터리만을 사용하십시오. 배터리의 접촉 단자면을 덮어 붙인 상태로 내부에서 움직이지 않도록 배터리를 포장하십시오.

또한 이와 관련한 국내 규정을 준수하십시오.

28 | ภาษาไทย

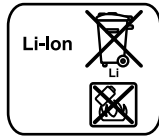
처리



전동공구, 배터리, 액세스리 및 포장은 친환경적인 방법으로 재활용할 수 있도록 분류하십시오.

전동공구와 충전용 배터리 / 배터리를 가정용 쓰레기로 처리하지 마십시오!

충전용 배터리 / 배터리 :



Li-Ion:
“운반” 내용에 나와 있는 주의 사항을 준수하십시오
(27 페이지).

위 사항은 사전 예고 없이 변경될 수도 있습니다.

ภาษาไทย

กฎระเบียบเพื่อความปลอดภัย

คำเตือนทั่วไปเพื่อความปลอดภัยในการใช้เครื่องมือไฟฟ้า

คำเตือน ต้องอ่านคำเตือนเพื่อความปลอดภัยและคำสั่งทั้งหมด การไม่ปฏิบัติตามคำเตือนและคำสั่งอาจเป็นสาเหตุให้ถูกไฟฟ้าดูด เกิดไฟไหม้ และ/หรือได้รับบาดเจ็บอย่างร้ายแรง

เก็บรักษา คำเตือนและคำสั่งทั้งหมดสำหรับเปิดอ่านในภายหลัง

คำว่า "เครื่องมือไฟฟ้า" ในคำเตือนหมายถึง เครื่องมือไฟฟ้าของท่านที่ทำงานด้วยพลังงานไฟฟ้าที่ต่อจากเต้าเสียบ (มีสายไฟฟ้า) และเครื่องมือไฟฟ้าที่ทำงานด้วยพลังงานไฟฟ้าจากแบตเตอรี่ (ไร้สาย)

ความปลอดภัยในสถานที่ทำงาน

- ▶ รักษาสถานที่ทำงานให้สะอาดและมีไฟส่องสว่างดี สถานที่ที่มีมืดหรือรกรุงรังนำมาซึ่งอุบัติเหตุ
- ▶ อย่าใช้เครื่องมือไฟฟ้าในสภาพแวดล้อมที่เสี่ยงต่อการติดระเบิดได้ เช่น ในที่มีขี้ของเหลว แก๊ส หรือฝุ่นที่ติดไฟได้ เมื่อใช้เครื่องมือไฟฟ้าจะเกิดประกายไฟซึ่งอาจจุดฝุ่นหรือไอให้ลุกเป็นไฟได้
- ▶ ขณะใช้เครื่องมือไฟฟ้าทำงาน ต้องก้มเด็กและผู้ยืนดูให้ออกห่าง การหันเหความสนใจอาจทำให้ท่านขาดการควบคุมเครื่องได้

ความปลอดภัยเกี่ยวกับไฟฟ้า

- ▶ ปลั๊กของเครื่องมือไฟฟ้าต้องมีขนาดพอดีกับเต้าเสียบ อย่าตัดแปลงหรือแก้ไขตัวปลั๊กอย่างเด็ดขาด อย่าต่อปลั๊กต่อใดๆ เข้ากับเครื่องมือไฟฟ้าที่มีสายดิน ปลั๊กที่ไม่ตัดแปลงและเต้าเสียบที่เข้ากันช่วยลดความเสี่ยงจากการถูกไฟฟ้าดูด
- ▶ หลีกเลี่ยงไม่ให้ร่างกายสัมผัสกับพื้นผิวของสิ่งของที่ไม่ต่อสายดินไว้ เช่น ท่อ เครื่องทำความร้อน เตา และ

ตู้เย็น จะเสี่ยงอันตรายจากการถูกไฟฟ้าดูดมากขึ้นหากกระแสไฟฟ้าวิ่งผ่านร่างกายของท่านลงดิน

- ▶ **อย่าวางเครื่องมือไฟฟ้าตกบนหรือทิ้งไว้ในที่ชื้นและหากนำเข้าไปในเครื่องมือไฟฟ้า จะเพิ่มความเสี่ยงจากการถูกไฟฟ้าดูด**
- ▶ **อย่าใช้สายไฟฟ้าย่างผิดๆ อย่าถือเครื่องมือไฟฟ้าที่สาย อย่าใช้สายแฉกหรือสายที่ยาวเกินไปเพื่อถอดปลั๊กออกจากเต้าเสียบ กันสายไฟฟ้าออกจากความร้อน น้ำมัน ขอบแหลมคม หรือส่วนของเครื่องที่กำลังเคลื่อนไหว สายไฟฟ้าที่ชำรุดหรือพันกันยุ่ง เพิ่มความเสี่ยงจากการถูกไฟฟ้าดูด**
- ▶ **เมื่อใช้เครื่องมือไฟฟ้าทำงานกลางแจ้ง ให้ใช้สายไฟต่อที่ได้รับการรับรองให้ใช้ต่อในที่กลางแจ้งเท่านั้น การใช้สายไฟต่อที่เหมาะสมสำหรับงานกลางแจ้งช่วยลดอันตรายจากการถูกไฟฟ้าดูด**
- ▶ **หากไม่สามารถหลีกเลี่ยงการใช้เครื่องมือไฟฟ้าทำงานในสถานที่เปียกชื้นได้ ให้ใช้สวิตช์ตัดวงจรเมื่อเกิดการรั่วไหลของไฟฟ้าจากสายดิน การใช้สวิตช์ตัดวงจรเมื่อเกิดการรั่วไหลของไฟฟ้าจากสายดินช่วยลดความเสี่ยงต่อการถูกไฟฟ้าดูด**

ความปลอดภัยของบุคคล

- ▶ ท่านต้องอยู่ในสภาพเตรียมพร้อม ระมัดระวังในสิ่งที่กำลังทำอยู่ และมีสติขณะใช้เครื่องมือไฟฟ้าทำงาน อย่าใช้เครื่องมือไฟฟ้าขณะที่ท่านกำลังเหนื่อย หรืออยู่ภายใต้การครอบงำของฤทธิ์ของยาเสพติด แอลกอฮอล์ และยา เมื่อใช้เครื่องมือไฟฟ้าทำงาน ในชั่วขณะที่ท่านขาดความเอาใจใส่อาจทำให้บุคคลบาดเจ็บอย่างรุนแรงได้
- ▶ ใช้อุปกรณ์ปกป้องร่างกาย สวมแว่นตาป้องกันแสงอนุกรมป้องกัน เช่น หน้ากากกันฝุ่น รองเท้ากันลื่น หมวกแข็ง หรือประคบหูกันเสียงดัง ที่เลือกใช้ตามความเหมาะสมกับสภาพการทำงาน สามารถลดอันตรายต่อบุคคลได้
- ▶ ป้องกันการติดเครื่องโดยไม่ตั้งใจ ต้องดูให้แน่ใจว่าสวิตช์อยู่ในตำแหน่งปิดก่อนเสียบปลั๊กไฟเข้าไปในเต้าเสียบ และ/หรือใส่แท่งแบตเตอรี่ ยกขึ้นหรือถือเครื่องมือ การถือเครื่องโดยใช้นิ้วหัวที่สวิตช์ หรือเสียบปลั๊กไฟขณะสวิตช์เปิดอยู่ อาจนำไปสู่อุบัติเหตุที่ร้ายแรงได้
- ▶ เอาเครื่องมือปรับแต่งหรือประแจปากตายออกจากเครื่องมือไฟฟ้าก่อนเปิดสวิตช์ เครื่องมือหรือประแจปากตายที่วางอยู่บางส่วนของเครื่องที่กำลังหมุนจะทำให้บุคคลบาดเจ็บได้
- ▶ หลีกเลี่ยงการตั้งท่าที่ผิดปกติ ตั้งที่ยืนที่มั่นคงและวางน้ำหนักให้สมดุลตลอดเวลา ในลักษณะนี้ท่านสามารถควบคุมเครื่องมือไฟฟ้าในสถานการณ์ที่ไม่คาดคิดได้ดีกว่า
- ▶ ใส่เสื้อผ้าที่เหมาะสม อย่าใส่เสื้อผ้าหลวมหรือสวมเครื่องประดับ เอาหมวก เสื้อผ้า และถุงมือออกห่างส่วนของเครื่องที่กำลังหมุน เสื้อผ้าหลวม เครื่องประดับ และผมยาวอาจเข้าไปติดในส่วนของเครื่องที่กำลังหมุนได้
- ▶ หากต้องต่อเครื่องมือไฟฟ้าเข้ากับเครื่องดูดฝุ่นหรือเครื่องเก็บผง ดูให้แน่ใจว่าการเชื่อมต่อและการใช้งานเป็นไปอย่างถูกต้อง การใช้อุปกรณ์ดูดฝุ่นช่วยลดอันตรายที่เกิดจากฝุ่นได้

การใช้และการดูแลรักษาเครื่องมือไฟฟ้า

- ▶ **อย่าใช้เครื่องมือไฟฟ้าอย่างหักโหม ใช้เครื่องมือไฟฟ้าที่ถูกต้องตรงตามลักษณะงาน** เครื่องมือไฟฟ้าที่ถูกต้องจะทำงานได้ดีกว่าและปลอดภัยกว่าในระดับสมรรถภาพที่ออกแบบไว้
- ▶ **อย่าใช้เครื่องมือไฟฟ้าที่สวิตช์เปิดปิดเสีย** เครื่องมือไฟฟ้าที่ไม่สามารถควบคุมการเปิดปิดด้วยสวิตช์ได้ เป็นเครื่องมือไฟฟ้าที่ไม่ปลอดภัยและต้องส่งซ่อมแซม
- ▶ **ก่อนปรับแต่งเครื่อง เปลี่ยนอุปกรณ์ประกอบ หรือเก็บเครื่องเข้าที่ ต้องถอดปลั๊กไฟออกจากเต้าเสียบและ/หรือถอดแท่งแบตเตอรี่ออกจากเครื่องมือไฟฟ้า** มาตรการป้องกันเพื่อความปลอดภัยนี้ช่วยลดความเสี่ยงจากการติดเครื่องโดยไม่ตั้งใจ
- ▶ **เมื่อเลิกใช้งานเครื่องมือไฟฟ้า ให้เก็บเครื่องไว้ในที่ที่เด็กหยิบไม่ถึง และไม่อนุญาตให้บุคคลที่ไม่คุ้นเคยกับเครื่องหรือบุคคลที่ไม่ได้อ่านคำแนะนำนี้ใช้เครื่องมือไฟฟ้า** เป็นของอันตรายหากตกอยู่ในมือของผู้ใช้ที่ไม่ได้รับการฝึกฝน
- ▶ **เอาใจใส่ดูแลรักษาเครื่อง** ตรวจหาส่วนที่เคลื่อนไหวได้ของเครื่องว่าวางอยู่ตรงแนวหรือติดขัดหรือไม่ ตรวจหาการแตกหักของชิ้นส่วนและสภาพอื่นใดที่อาจมีผลต่อการทำงานของเครื่องมือไฟฟ้า หากชำรุดต้องส่งเครื่องมือไฟฟ้าซ่อมแซมก่อนใช้งาน อุบัติเหตุหลายอย่างเกิดขึ้นเนื่องจากดูแลรักษาเครื่องไม่ดีพอ
- ▶ **รักษาเครื่องมือตัดให้คมและสะอาด** หากบำรุงรักษาเครื่องมือที่มีขอบตัดแหลมคมอย่างถูกต้อง จะสามารถตัดได้ลื่นไม่ติดขัดและควบคุมได้ง่ายกว่า
- ▶ **ใช้เครื่องมือไฟฟ้า อุปกรณ์ประกอบ เครื่องมือ และอุปกรณ์อื่นๆ ให้ตรงตามคำแนะนำนี้** และในลักษณะตามที่เครื่องมือไฟฟ้าประเภทนั้นๆ กำหนดไว้ โดยต้องคำนึงถึงเงื่อนไขการทำงานและงานที่จะทำด้วย การใช้เครื่องมือไฟฟ้าทำงานที่ต่างไปจากวัตถุประสงค์การใช้งานของเครื่อง อาจนำไปสู่สถานการณ์ที่เป็นอันตรายได้

การใช้และการดูแลรักษาเครื่องมือที่ใช้แบตเตอรี่

- ▶ **ชาร์จแบตเตอรี่ด้วยเครื่องชาร์จที่บริษัทผู้ผลิตระบุไว้เท่านั้น** เครื่องชาร์จที่เหมาะสมสำหรับชาร์จแบตเตอรี่ประเภทหนึ่ง หากนำไปชาร์จแบตเตอรี่ประเภทอื่น อาจเกิดไฟไหม้ได้
- ▶ **ใช้แบตเตอรี่เฉพาะประเภทที่เครื่องมือไฟฟ้ากำหนดให้ใช้ได้** การใช้แบตเตอรี่ประเภทอื่นเสี่ยงต่อการเกิดไฟไหม้หรือบาดเจ็บ
- ▶ **เมื่อไม่ใช้แบตเตอรี่ ให้เก็บแบตเตอรี่ไว้ห่างไกลวัตถุอื่นๆ เช่น คลิปหนีบกระดาษ เหรียญ กุญแจ ตะปู สกรู หรือโลหะวัตถุขนาดเล็กอื่นๆ ที่สามารถต่อขั้วหนึ่งไปยังอีกขั้วหนึ่งได้** การลัดวงจรของขั้วแบตเตอรี่อาจทำให้เกิดการไหม้หรือไฟลุกได้
- ▶ **เมื่อใช้แบตเตอรี่ผิดวิธี อาจมีของเหลวไหลออกมาจากแบตเตอรี่ได้** ให้หลีกเลี่ยงการสัมผัสของเหลว หากสัมผัสได้โดยบังเอิญ ให้ใช้น้ำล้าง หากของเหลวเข้าตา ให้ขอความช่วยเหลือจากแพทย์ด้วย ของเหลวที่ไหลออกมาจากแบตเตอรี่อาจทำให้เกิดอาการคันหรือแสบผิวหนังได้

การบริการ

- ▶ **ส่งเครื่องมือไฟฟ้าให้ช่างผู้เชี่ยวชาญตรวจสอบและใช้อะไหล่เปลี่ยนของแท้เท่านั้น** ในลักษณะนี้ท่านจะแน่ใจได้ว่าเครื่องมือไฟฟ้าอยู่ในสภาพที่ปลอดภัย

คำเตือนเพื่อความปลอดภัยสำหรับผู้ออกนประสงค์

- ▶ **ขณะทำงาน ให้จับเครื่องมือไฟฟ้าด้วยมือทั้งสองอย่างแน่นหนา และตั้งเท้าขึ้นที่มั่นคง** ท่านจะสามารถนำทางเครื่องมือไฟฟ้าได้ปลอดภัยกว่าเมื่อจับเครื่องด้วยมือทั้งสองข้าง
- ▶ **เมื่อทำงานในบริเวณที่อุปกรณ์ตัดอาจสัมผัสกับสายไฟฟ้าที่ซ่อนอยู่** ต้องจับเครื่องมือไฟฟ้าตรงด้ามจับที่หุ้มฉนวน หากอุปกรณ์ตัดสัมผัสกับสายที่มิกระแสวิกไฟฟ้าไหลผ่านจะทำให้ส่วนที่เป็นโลหะของเครื่องมือไฟฟ้าเกิดมีกระแสไฟฟ้าด้วย และส่งผลให้ผู้ใช้เครื่องถูกไฟฟ้าดูดได้
- ▶ **อย่าเอามือออกจากบริเวณแนวเลื่อย อย่าเอื้อมมือเข้าได้** ชิ้นงาน การสัมผัสกับใบเลื่อยจะทำให้บาดเจ็บได้
- ▶ **จับเครื่องเข้าหาชิ้นงานเมื่อเครื่องเปิดทำงานอยู่เท่านั้น** มิฉะนั้นอาจได้รับอันตรายจากการตีกลับหากเครื่องมือตัดติดขัดอยู่ในชิ้นงาน
- ▶ **เมื่อเลื่อย ให้กดแผ่นฐาน 2 เข้าหาชิ้นงานอย่างแน่นหนา** ใบเลื่อยอาจติดขัดและทำให้สูญเสียการควบคุมเครื่องมือไฟฟ้า
- ▶ **เมื่อเสร็จงานตัด ให้ปิดสวิตช์เครื่อง และดึงใบเลื่อยออกจากร่องตัดเมื่อใบเลื่อยหยุดนิ่งอยู่กับที่แล้วเท่านั้น** ในลักษณะนี้ท่านสามารถหลีกเลี่ยงการตีกลับ และวางเครื่องลงได้อย่างปลอดภัย
- ▶ **ใช้เฉพาะใบเลื่อยที่ไม่ชำรุดและไม่มีตำหนิเท่านั้น** ใบเลื่อยที่ทื่อหรือบิดงอสามารถแตกหัก ส่งผลเชิงลบต่อการตัด หรือทำให้เกิดการตีกลับได้
- ▶ **เมื่อปิดสวิตช์เครื่องแล้ว อย่าเบรคใบเลื่อยให้หยุดวิ่งโดยการกดลงด้านข้าง** ใบเลื่อยอาจชำรุด แตกหัก หรือทำให้เกิดการตีกลับได้
- ▶ **หนีบวัสดุให้ดี** อย่าใช้มือหรือเท้าหนีบชิ้นงานไว้ อย่าให้ใบเลื่อยที่วิ่งอยู่สัมผัสกับพื้นหรือวัตถุ อันตรายจากการตีกลับ
- ▶ **ใช้เครื่องตรวจที่เหมาะสมตรวจหาท่อและสายไฟฟ้าที่อาจซ่อนอยู่ในบริเวณที่จะทำงาน หรือขอความช่วยเหลือจากบริษัทช่างท่อและสายไฟฟ้าในห้องกิน** การสัมผัสกับสาย ไฟฟ้าอาจทำให้เกิดไฟไหม้หรือถูกไฟฟ้าช็อกหรือดูดได้ การทำให้ท่อแก๊สเสียหายอาจเกิดระเบิดได้ การเจาะเข้าในท่อน้ำ ทำให้ทรัพย์สินเสียหาย
- ▶ **ยึดชิ้นงานให้แน่น** การยึดชิ้นงานด้วยเครื่องหนีบหรือแท่นจับจะมั่นคงกว่าการยึดด้วยมือ
- ▶ **ก่อนวางเครื่องลงบนพื้นทุกครั้งต้องรอให้เครื่องหยุดนิ่งอยู่กับที่เสมอ** มิฉะนั้นเครื่องมือที่ใส่อยู่อาจติดขัดและนำไปสู่การสูญเสียการควบคุมเครื่องมือไฟฟ้า
- ▶ **ก่อนปรับแต่งเครื่อง (ต.ย. เช่น เมื่อบำรุงรักษา เปลี่ยนเครื่องมือ และอื่นๆ) และขณะขนย้ายและเก็บเครื่องเข้าที่ ให้ถอดแบตเตอรี่ออกจากเครื่องมือไฟฟ้า** อันตรายจากการบาดเจ็บหากสวิตช์เปิด-ปิดติดชิ้นอย่างไม่ตั้งใจ

30 | ภาษาไทย

▶ อย่าเปิดแบตเตอรี่ด้วยตนเอง อันตรายจากการลัดวงจร



ปกป้องแบตเตอรี่จากความร้อน ต.ย. เช่น จากแสงแดดจ้าที่ส่องอย่างต่อเนื่อง ไฟ น้ำ และความชื้น อันตรายจากการระเบิด

▶ ในกรณีที่แบตเตอรี่ชำรุดและใช้แบตเตอรี่อย่างไม่ถูกต้อง อาจมีไอระเหยออกมา ให้สูดอากาศบริสุทธิ์ และหาแพทย์ในกรณีเจ็บปวด ไอระเหยอาจทำให้ระบบหายใจระคายเคือง

▶ ใช้แบตเตอรี่เฉพาะกับเครื่องมือไฟฟ้า บัซเซอร์ ของท่านเท่านั้น การกระทำเช่นนี้เท่านั้นที่จะช่วยปกป้องแบตเตอรี่จากการถูกใช้งานเกินพิกัดซึ่งเป็นอันตราย

▶ วัตถุที่แหลมคม ต.ย. เช่น ตะปูหรือไขควง หรือแรงกระทำภายนอก อาจทำให้แบตเตอรี่เสียหายได้ สิ่งเหล่านี้อาจทำให้เกิดการลัดวงจรภายในและแบตเตอรี่ใหม่ มีควัน ระเบิด หรือร้อนเกินไป

รายละเอียดผลิตภัณฑ์และ

ข้อมูลจำเพาะ



ต้องอ่านคำเตือนเพื่อความปลอดภัยและคำสั่งทั้งหมด การไม่ปฏิบัติตามคำเตือนและคำสั่งอาจเป็นสาเหตุให้ถูกไฟฟ้าดูด เกิดไฟไหม้ และ/หรือได้รับบาดเจ็บอย่างร้ายแรง

ประโยชน์การใช้งานของเครื่อง

เครื่องนี้ใช้สำหรับเลื่อยไม้ พลาสติก โลหะ และวัสดุก่อสร้าง โดยต้องวางเครื่องอย่างมั่นคงลงบนชิ้นงาน เครื่องนี้เหมาะสำหรับการตัดแนวตรงและตัดตามโค้ง อ่านและปฏิบัติตามข้อแนะนำเกี่ยวกับใบเลื่อย

ไฟส่องของเครื่องมือไฟฟ้านี้มีไว้เพื่อส่องสว่างพื้นที่ทำงานของเครื่องมือไฟฟ้าโดยตรง และไม่เหมาะสำหรับใช้เพิ่มความสว่างภายในห้องในครัวเรือน

ส่วนประกอบผลิตภัณฑ์

ลำดับเลขของส่วนประกอบผลิตภัณฑ์อ้างอิงถึงส่วนประกอบของเครื่องที่แสดงในหน้าภาพประกอบ

- 1 ใบเลื่อย*
- 2 แผ่นฐาน
- 3 ก้านขยับชัก
- 4 ก้านสำหรับปลดล็อกใบเลื่อย
- 5 ตะขอแขวน
- 6 สวิตช์หมุนสำหรับการเตะ (3 ระดับ)
- 7 ปุ่มเลือกอัตรารอบ-ชัก-เร็ว ล่วงหน้า
- 8 สวิตช์เปิด-ปิด
- 9 ปุ่มล็อกไม่ให้สวิตช์เปิด-ปิดทำงาน
- 10 แบตเตอรี่แพ็ค
- 11 ไฟแสดงสถานะการชาร์จแบตเตอรี่
- 12 ปุ่มสำหรับไฟแสดงสถานะการชาร์จ
- 13 ปุ่มปลดล็อกสำหรับการปรับแผ่นฐาน
- 14 ไฟส่องสว่าง "PowerLight" (Double LED)
- 15 ด้ามจับ (พื้นผิวจับหุ้มฉนวน)

16 แผ่นปลดล็อกแบตเตอรี่

17 ที่ใส่แบตเตอรี่แพ็ค

18 ที่จับใบเลื่อย

*ในการจัดส่งจะมีใบเลื่อยแตกต่างกัน ทั้งนี้ขึ้นอยู่กับรุ่นของแต่ละประเทศ

ข้อมูลทางเทคนิค

เลือกประเภทประสงค์	GSA 18V-32	
หมายเลขสินค้า	3 601 FA8 1..	
มีติวรวมแบตเตอรี่แพ็ค/ไม่รวมแบตเตอรี่แพ็ค		
- ความยาว	มม.	482/482
- ความกว้าง	มม.	101/101
- ความสูง	มม.	218/198
แรงดันไฟฟ้ากำหนด	V=	18
ความเร็วรอบเดินควมเปล่า n ₀	รอบ/นาที	0-2500
ด้ามจับเครื่องมือ	SDS	
ระยะช่วงชัก	มม.	32
ความสามารถในการเลื่อย สูงสุด		
- ไม้	มม.	230
- ไม้เหล็กกล้า	มม.	20
- เส้นผ่าศูนย์กลางท่อ	มม.	175
น้ำหนักตามระเบียบการ-EPTA-Procedure 01:2014	กก.	3.9
อุณหภูมิแวดล้อมที่อนุญาต		
- เมื่อชาร์จ	°C	0...+45
- เมื่อทำงาน* และเมื่อจัดเก็บ	°C	-20...+50
แบตเตอรี่ที่แนะนำ	GBA 18V.. GBA 18V... W	
เครื่องชาร์จที่แนะนำ	AL 18.. GAL 3680 GAL 18... W	

* ผลการทำงานน้อยลงที่อุณหภูมิ <0 °C

กำหนดข้อมูลทางเทคนิคด้วยแบตเตอรี่ที่จัดส่งมา

การประกอบ

การชาร์จแบตเตอรี่

▶ ใช้เฉพาะเครื่องชาร์จแบตเตอรี่ที่ระบุไว้ใน ข้อมูลทางเทคนิค เท่านั้น เฉพาะเครื่องชาร์จแบตเตอรี่เหล่านี้เท่านั้นที่เข้าชุดกับแบตเตอรี่ลิเธียม ไอออน ของเครื่องมือไฟฟ้าของท่าน

หมายเหตุ: แบตเตอรี่ที่จัดส่งได้รับการชาร์จไฟไว้บ้างแล้วเพื่อให้แบตเตอรี่ทำงานได้เต็มประสิทธิภาพ ต้องชาร์จแบตเตอรี่ในเครื่องชาร์จแบตเตอรี่ให้เต็มก่อนใช้งานเครื่องมือไฟฟ้าของท่านเป็นครั้งแรก

แบตเตอรี่ลิเธียม ไอออน สามารถชาร์จได้ทุกเวลาโดยอายุการใช้งานจะไม่ลดลง การชาร์จหวัะกระบวนการชาร์จไม่ทำให้แบตเตอรี่เสียหาย

"Electronic Cell Protection (ECP)" ป้องกันไม่ให้แบตเตอรี่ Li-ion จ่ายกระแสไฟฟ้าออกอีก เมื่อแบตเตอรี่หมดไฟ วงจรป้องกันจะดับสวิตช์เครื่อง เครื่องมือที่ใส่อยู่จะไม่หมุนต่อ

► **หลังจากเครื่องสวิตช์โดยอัตโนมัติ อย่างคสวิตช์ เปิด-ปิดต่อ** แบตเตอรี่อาจเสียหายได้

อ่านและปฏิบัติตามข้อสั่งสำหรับการกำจัดขยะ

การถอดแบตเตอรี่ (ดูภาพประกอบ A)

แบตเตอรี่ **10** มีสองระดับการล็อกซึ่งจะป้องกันแบตเตอรี่ไม่ให้หล่นออกมาเมื่อแป้นปลดล็อกแบตเตอรี่ **16** ถูกกดโดยไม่ตั้งใจ เมื่อแบตเตอรี่ถูกรวบรวมอยู่ในเครื่องมือไฟฟ้า สปริงจะยึดแบตเตอรี่ให้เข้าตำแหน่ง

เมื่อต้องการถอดแบตเตอรี่ **10** ให้กดแป้นปลดล็อกแบตเตอรี่ **16** และดึงแบตเตอรี่ออกจากเครื่องมือไฟฟ้าทางด้านท้าย **อย่าใช้แรงดึง**

การแสดงสถานะการชาร์จแบตเตอรี่

ไฟสัญญาณ LED สีเขียวสามดวงที่เป็นไฟแสดงสถานะการชาร์จแบตเตอรี่ **11** บ่งบอกถึงสถานะการชาร์จของแบตเตอรี่ **10** เพื่อความปลอดภัย สถานภาพของสถานะการชาร์จสามารถตรวจสอบได้เมื่อเครื่องหยุดนิ่งอยู่กับที่เท่านั้น

กดปุ่ม **12** เพื่อแสดงสถานะการชาร์จ สามารถแสดงสถานะการชาร์จเมื่อแบตเตอรี่ **10** ถูกถอดออกไปแล้วด้วยเช่นกัน

LED	ความจุ
ส่องสว่างต่อเนื่อง 3 x สีเขียว	≥ 2/3
ส่องสว่างต่อเนื่อง 2 x สีเขียว	≥ 1/3
ส่องสว่างต่อเนื่อง 1 x สีเขียว	< 1/3
ไฟกะพริบ 1 x สีเขียว	สำรอง

เมื่อกดปุ่ม **12** แล้วไฟสัญญาณ LED ไม่ติดขึ้น แสดงว่าแบตเตอรี่ชาร์จและต้องเปลี่ยนใหม่

ในระหว่างกระบวนการชาร์จ ไฟสัญญาณ LED สีเขียวสามดวงจะติดขึ้นทีละดวงตามลำดับและจะดับลงสั้นๆ แบตเตอรี่ถูกชาร์จเต็มเมื่อไฟสัญญาณ LED สีเขียวสามดวงติดขึ้นอย่างต่อเนื่อง เมื่อแบตเตอรี่ถูกชาร์จเต็มแล้ว จากนั้นประมาณ 5 นาทีไฟสัญญาณ LED สามดวงจะดับลงอีกครั้ง

การเปลี่ยน/การใส่ในแบตเตอรี่

- **ก่อนปรับแต่งเครื่องมือไฟฟ้า ต้องถอดแบตเตอรี่ออก**
- **เมื่อประกอบแบตเตอรี่เข้า ต้องสวมถุงมือป้องกัน** เมื่อสัมผัสแบตเตอรี่อาจได้รับอันตรายบาดเจ็บ
- **เมื่อเปลี่ยนในแบตเตอรี่ ระบุทิศทางอย่าให้มีเศษวัสดุติดอยู่ที่จับแบตเตอรี่ ต.ย. เช่น ชีลี่ย์ไม้หรือโลหะ**

การเลือกแบตเตอรี่

ใช้เฉพาะแบตเตอรี่ที่เหมาะสมกับประเภทวัสดุที่จะเลื่อยเท่านั้น การอธิบายโดยสรุปเกี่ยวกับแบตเตอรี่ที่แนะนำให้ใช้ กรุณาดูจากตอนต้นของหนังสือคู่มือการใช้งาน ให้ใช้เฉพาะแบตเตอรี่ที่มีก้านสากล 18" เท่านั้น แบตเตอรี่ต้องไม่ยาวเกินความหนาที่ต้องการตัดมากนัก

ใช้แบตเตอรี่บางสำหรับการตัดโค้งแคบ

การใส่ในแบตเตอรี่ (ดูภาพประกอบ B)

หมุนก้านสำหรับปลดล็อกแบตเตอรี่ **4** ไปในทิศทางลูกศร ประมาณ 60° และจับไว้ เลื่อนแบตเตอรี่ **1** เข้าในที่จับแบตเตอรี่ **18** ปลอยนิ้วจากก้านสำหรับปลดล็อกแบตเตอรี่ **4**

- **ตรวจสอบให้แบตเตอรี่เข้าที่อย่างมั่นคง** แบตเตอรี่ที่ใส่ไว้หลวมๆ อาจหลุดออกมาและทำให้บาดเจ็บได้

สำหรับงานบางประเภท ใบเลื่อย **1** สามารถหมุนกลับด้านไป 180° ได้ด้วย (พินหันขึ้นด้านบน) และใส่ใบเลื่อยกลับเข้าไปอีกครั้ง

การถอดใบเลื่อย (ดูภาพประกอบ B)

หมุนก้านสำหรับปลดล็อกใบเลื่อย **4** ไปในทิศทางลูกศร ประมาณ 60° และจับไว้ ดึงใบเลื่อย **1** ออกจากที่จับใบเลื่อย **18** ปลอยนิ้วจากก้านสำหรับปลดล็อกใบเลื่อย **4**

การดูแล/ชีลี่ย์

- **ฝุ่นที่ได้จากวัสดุ เช่น เคลือบผิวที่มีสารตะกั่ว ไม้บางประเภท แร่ธาตุ และโลหะ อาจเป็นอันตรายต่อสุขภาพ การสัมผัสหรือการหายใจเอาฝุ่นเข้าปอดอาจทำให้เกิดปฏิกิริยาแพ้ฝุ่นและ/หรือนำมาซึ่งโรคติดเชื้อระบบหายใจแก่ผู้ใช้เครื่องมือผู้ที่ยืนอยู่ใกล้เคียง**
ฝุ่นบางประเภท เช่น ฝุ่นไม้โอ๊ก หรือไม้บีช นับเป็นสารที่ทำให้เกิดมะเร็ง โดยเฉพาะอย่างยิ่งเมื่อผสมกับสารเติมแต่งเพื่อบำบัดไม้ (โครเมต ผลิตภัณฑ์รักษาเนื้อไม้) สำหรับวัสดุที่มีแอลกอฮอล์ต้องให้ผู้เชี่ยวชาญทำงานเท่านั้น
 - จัดสถานที่ทำงานให้มีการระบายอากาศที่ดี
 - ขอแนะนำให้สวมหน้ากากป้องกันการติดเชื้อที่มีระดับ-ใส่กรอง P2
- **ปฏิบัติตามกฎข้อบังคับสำคัญอื่นๆ ที่เกี่ยวกับวัสดุชิ้นงานที่บังคับใช้ในประเทศของท่าน**
- **ป้องกันการสะสมของฝุ่นในสถานที่ทำงาน** ฝุ่นสามารถถูกใหม่อย่างง่ายดาย

การปฏิบัติงาน

เริ่มต้นปฏิบัติงาน

การใส่แบตเตอรี่ (ดูภาพประกอบ A)

- **ใช้เฉพาะแบตเตอรี่ลิเธียม ไอออน ของแท้ของ บอช ที่มีแรงดันไฟฟ้าตามที่ระบุไว้บนแผ่นป้ายติดของเครื่องมือไฟฟ้าของท่านเท่านั้น** การใช้แบตเตอรี่ประเภทอื่นอาจทำให้ได้รับบาดเจ็บและเสี่ยงต่อการเกิดไฟไหม้
- ใส่แบตเตอรี่แพ็คที่ชาร์จแล้ว **10** เข้าในที่ใส่แบตเตอรี่แพ็ค **17** จนพบเข้าที่อย่างเห็นได้ชัด

การควบคุม/การตั้งความเร็วรอบล่วงหน้า

สำหรับวัสดุแข็ง (ต.ย. เช่น เหล็ก) การเริ่มต้นอย่างนุ่มนวลช่วยให้ตัดได้อย่างแม่นยำ

ท่านสามารถควบคุมอัตราซบซัดของเครื่องที่เปิดสวิตช์ไว้ได้อย่างต่อเนื่อง โดยเพิ่มหรือลดแรงกดบนสวิตช์เปิด-ปิด **8** เมื่อกดบนสวิตช์เปิด-ปิด **8** เบาๆ จะได้ความเร็วรอบซบซัดขึ้นลงต่ำ ถ้ากดแรงขึ้น ความเร็วรอบซบซัดขึ้นลงก็จะเพิ่มขึ้นด้วย ความเร็วรอบซบซัดขึ้นลงสามารถตั้งไว้ล่วงหน้าด้วยปุ่มเลือกอัตรารอบ-ซบ-เร็ว ล่วงหน้า **7** และเปลี่ยนค่าได้ขณะเครื่องกำลังเดินอยู่

- 1: อัตราซบซัดขึ้นลง ต่ำ
- 6: อัตราซบซัดขึ้นลง สูง

ตัวควบคุมค่าคงที่ด้วยระบบอิเล็กทรอนิกส์ทำให้อัตราซบซัดเดินตัวเปล่าและขณะใช้งานมีค่าเกือบคงที่ และทำให้ทำงานได้อย่างมีประสิทธิภาพสม่ำเสมอ

32 | ภาษาไทย

เกณฑ์จังหวะขยับชักที่ต้องใช้ขึ้นอยู่กับประเภทวัสดุชิ้นงาน และเงื่อนไขการทำงาน การทดลองภาคปฏิบัติจะช่วยให้ได้เกณฑ์จังหวะที่ดีที่สุด

ขอแนะนำให้ลดอัตราขยับชักลงขณะโบลี้อยบเข้าในวัสดุชิ้นงาน และเมื่อเลื่อยพลาสติกและอะลูมิเนียม

การตั้งการเตะ

เนื่องจากการเตะปรับตั้งได้ จึงสามารถปรับความเร็วการตัด สมรรถนะการตัด และลดเวลาการตัด ให้เหมาะกับวัสดุชิ้นงานได้อย่างดีที่สุด

ระดับการเตะสามารถตั้งได้ด้วยสวิตช์หมุน 6 ปรับสวิตช์หมุนได้แม้ขณะเครื่องกำลังทำงานอยู่

ปิดสวิตช์การเตะ (ระดับ 0):

สำหรับวัสดุบางหรือแข็ง เช่น โลหะแผ่น หรือเหล็ก เพื่อให้ได้ขอบตัดที่เรียบหมดจด

การเตะ ระดับ 1:

สำหรับโลหะที่ไม่มีธาตุเหล็กเป็นส่วนประกอบ ไม้เนื้อแข็ง พลาสติก หรือวัสดุที่มีความหนาแน่นปานกลาง

การเตะ ระดับ 2:

สำหรับโลหะที่ไม่มีธาตุเหล็กเป็นส่วนประกอบ ไม้เนื้อแข็ง พลาสติก หรือวัสดุที่มีความหนาแน่นปานกลาง

สำหรับวัสดุเนื้ออ่อน ต.ย. เช่น วัสดุอ่อนสำหรับก่อสร้าง วัสดุที่ใช้ทำเป็นฉนวน ไม้เนื้ออ่อน ไม้จากต้นไม้

แผ่นฐานที่หมุนรอบและชักรับได้

แผ่นฐาน 2 สามารถเคลื่อนไหวไปมา จึงปรับให้เข้ากับตำแหน่งมุมที่ต้องการบนพื้นผิวชิ้นงานได้

ขึ้นอยู่กับโบลี้อยที่ใช้และการประยุกต์ใช้ ท่านสามารถเคลื่อนย้ายแผ่นฐาน 2 ไปตามยาวได้สามชั้น ให้กดปุ่มปลดแผ่นฐาน 13 และเลื่อนแผ่นฐาน 2 ไปยังตำแหน่งที่ต้องการ ปลดปุ่มปลดแผ่นฐาน 13 และตรวจสอบให้แผ่นฐาน 2 เข้าล็อคอย่างแน่นหนา เลื่อนแผ่นฐาน 2 ตามต้องการจนแผ่นฐานเข้าล็อคอย่างแน่นหนา

ในการทำความสะอาดที่จับโบลี้อย 18 ท่านสามารถดึงแผ่นฐาน 2 ออกมาทั้งหมดในขณะที่กดปุ่มปลดล็อค 11 หลังจากทำความสะอาดแล้ว ให้ดันแผ่นฐานกลับเข้าไปในที่จับจนขบเข้าล็อค

▶ **อย่ากดปุ่มปลดล็อค 13 ขณะทำงาน** ท่านอาจสูญเสียการควบคุมเครื่องมือไฟฟ้าและได้รับบาดเจ็บ

การเปิด-ปิดเครื่อง

เปิดสวิตช์: กดปุ่มล็อค 9 ไปข้างหน้ากดสวิตช์เปิด-ปิด 8 ขึ้นด้านบน และกดค้างไว้

ปิดสวิตช์: ปลดนิ้วจากสวิตช์เปิด-ปิด 8

ข้อแนะนำในการทำงาน

▶ **ก่อนปรับแต่งเครื่อง (ต.ย. เช่น เมื่อบำรุงรักษา เปลี่ยนเครื่องมือ และอื่นๆ) และขณะขนย้ายและเก็บเครื่องเข้าที่ ให้ถอดแบตเตอรี่ออกจากเครื่องมือไฟฟ้า** อันตรายจากการบาดเจ็บหากสวิตช์เปิด-ปิดติดขึ้นอย่างไม่ตั้งใจ

▶ **เมื่อเลื่อยวัสดุก่อสร้างน้ำหนักเบา ต้องปฏิบัติตามข้อกำหนดทางกฎหมายและข้อแนะนำของบริษัทผลิตวัสดุก่อสร้าง**

▶ **ตรวจสอบให้แน่ใจว่าโบลี้อยยาวกว่าเส้นผ่านศูนย์กลางของชิ้นงานเสมอ ดูภาพประกอบ F อันตรายนจากการตีกลับ**

ตรวจดูไม้ ไม้อัด วัสดุก่อสร้าง และอื่นๆ เพื่อหาสิ่งแปลกปลอม เช่น ตะปู สกรู หรือสิ่งคล้ายคลึง และหากจำเป็นให้ถอนสิ่งแปลกปลอมนั้นออกไป

เปิดสวิตช์เครื่องและเคลื่อนเครื่องเข้าหาชิ้นงาน วางแผ่นฐาน 2 ทาบลงบนผิวหน้าชิ้นงาน และเลื่อยวัสดุออกโดยใช้แรงกดสัมพันธ์และการป้อนที่สม่ำเสมอ เมื่อกระบวนการทำงานสิ้นสุด ให้ปิดสวิตช์เครื่อง

หากโบลี้อยติดขัด ให้ปิดสวิตช์เครื่องทันที ถ่างร่องตัดเล็กน้อยด้วยเครื่องมือที่เหมาะสม และดึงเครื่องออก

หากเครื่องสกปรกมาก เครื่องอาจทำงานผิดปกติได้ ดังนั้นอย่าเลื่อยวัสดุที่ฝุ่นมากจากทางด้านล่างหรือเลื่อยเหนือศีรษะ

การจ้วงตัด (ดูภาพประกอบ E)

▶ **กระบวนการจ้วงตัดเหมาะสำหรับนำมาใช้กับวัสดุเนื้ออ่อน เช่น ไม้ แผ่นกระดานปิดฝาผนัง (plaster board) หรือวัสดุคล้ายคลึงเท่านั้น! อย่าเลื่อยวัสดุที่เป็นโลหะด้วยกระบวนการจ้วงตัด!**

▶ **สำหรับการจ้วงตัด ให้ใช้โบลี้อยที่มีความยาวสูงสุด 100 มม. เท่านั้น** หากโบลี้อยยาวกว่านี้ แผ่นฐานจะตั้งไม่ได้ และเครื่องมือไฟฟ้าจะทรงตัวไม่มั่นคง

วางเครื่องโดยให้ขอบแผ่นฐาน 2 ตะลงบนชิ้นงานและเปิดสวิตช์เครื่อง สำหรับเครื่องมือไฟฟ้าที่มีการควบคุมความเร็วขยับชัก ให้ตั้งความเร็วขยับชักสูงสุด กดเครื่องมือไฟฟ้าเข้าหาชิ้นงานอย่างมั่นคง และให้โบลี้อยจ้วงเข้าในชิ้นงานอย่างช้าๆ ในทันทีที่แผ่นฐาน 2 วางทาบเต็มบนพื้นผิวชิ้นงาน ให้เลื่อยต่อไปตามรอยตัดที่ต้องการ

สำหรับงานบางประเภท โบลี้อย 1 สามารถใส่หมุนกลับด้านไป 180° ได้ด้วย และเลื่อยอเนกประสงค์สามารถเคลื่อนนำไปในลักษณะกลับทางตามไปด้วย

การตัดเรียบเสมอกัน (ดูภาพประกอบ F)

เมื่อใช้โบลี้อยที่ทำจากโลหะสองชนิดซ้อนกัน (bimetal) ที่ยืดหยุ่น สิ่งของที่ยังคงติดอยู่กับฝาผนัง (ต.ย. เช่น ชิ้นส่วนก่อสร้างที่ยื่นออกมา เช่น ท่อน้ำ) สามารถเลื่อยออกได้เรียบเสมอกับฝาผนัง

วางโบลี้อยแนบกับฝาผนังโดยตรง และตัดโบลี้อยให้โค้งเล็กน้อยโดยใช้แรงกดที่ด้านข้างของเครื่องจนแผ่นฐานชิดกับฝาผนัง เปิดสวิตช์เครื่องมือไฟฟ้าและเลื่อยผ่านชิ้นงานโดยใช้แรงกดลงด้านข้างอย่างสม่ำเสมอ

ตะขอแขวน (ดูภาพประกอบ D)

เครื่องมือไฟฟ้าของท่านมีตะขอแขวน 5 ประกอบติดอยู่เพื่อใช้แขวนเครื่อง ต.ย. เช่น แขวนกับบันได และอื่นๆ เพียงง้างตะขอแขวน 5 ขึ้นไปยังตำแหน่งที่ต้องการเท่านั้น

▶ **ตรวจสอบให้แน่ใจว่าเมื่อเครื่องมือไฟฟ้าแขวนอยู่ โบลี้อยได้รับการป้องกันจากการสัมผัสโดยไม่ตั้งใจ** อันตรายนจากการบาดเจ็บ

พับตะขอแขวน 5 กลับเข้าที่เมื่อพร้อมจะทำงานต่อ

สารหล่อเย็น/น้ำมันหล่อลื่น

เมื่อเลื่อยโลหะ ให้ใช้โลหะหล่อเย็น/น้ำมันหล่อลื่นตามรอยตัด เนื่องจากวัสดุร้อนขึ้น

ข้อแนะนำในการปฏิบัติต่อแบตเตอรี่อย่างเหมาะสมที่สุด

เก็บแบตเตอรี่ไว้ในที่แห้งอุณหภูมิระหว่าง -20°C และ 50°C เท่านั้น ตัวอย่าง เช่น ต้องไม่ทิ้งแบตเตอรี่ไว้ในรถยนต์ในฤดูร้อน

ทำความสะอาดช่องระบายอากาศเป็นครั้งคราวโดยใช้แปรงขนอ่อนที่แห้งและสะอาด

หลังจากชาร์จแบตเตอรี่แล้ว หากแบตเตอรี่มีช่วงเวลาทำงานสั้นมาก แสดงว่าแบตเตอรี่เสื่อมและต้องเปลี่ยนใหม่ อ่านและปฏิบัติตามข้อสั่งการสำหรับการกำจัดขยะ

การบำรุงรักษาและการบริการ**การบำรุงรักษาและการทำความสะอาด**

▶ **ก่อนปรับแต่งเครื่อง (ต.ย. เช่น เมื่อบำรุงรักษา เปลี่ยนเครื่องมือ และอื่นๆ) และขณะขนย้ายและเก็บเครื่องเข้าที่ ให้ถอดแบตเตอรี่ออกจากเครื่องมือไฟฟ้า** อันตรายจากการบาดเจ็บหากสวิตช์เปิด-ปิดติดขึ้นอย่างไม่ตั้งใจ

▶ **เพื่อให้ทำงานได้อย่างถูกต้องและปลอดภัย ต้องรักษาเครื่องและช่องระบายอากาศให้สะอาดอยู่เสมอ**

ทำความสะอาดที่จับใบเลื่อยในเบื้องต้นด้วยอากาศอัดหรือใช้แปรงขนอ่อนปัด สำหรับการทำความสะอาด ให้ถอดใบเลื่อยออกจากตัวเครื่อง เพื่อให้ที่จับใบเลื่อยทำงานอย่างถูกต้อง ให้ใช้โลมด้วยน้ำมันหล่อลื่นที่เหมาะสม

การบริการหลังการขายและคำแนะนำการใช้งาน

ศูนย์บริการหลังการขายของเรายินดีตอบคำถามเกี่ยวกับการบำรุงรักษาและการซ่อมแซมผลิตภัณฑ์ของท่าน รวมทั้งชิ้นส่วนอะไหล่ ภาพแยกชิ้นประกอบและข้อมูลเกี่ยวกับชิ้นส่วนอะไหล่ยังสามารถดูได้ใน:

www.bosch-pt.com

ทีมงานให้คำแนะนำการใช้งานของ มีอช ยินดีตอบคำถามเกี่ยวกับผลิตภัณฑ์ของเราและอุปกรณ์ประกอบของผลิตภัณฑ์ เมื่อต้องการสอบถามและสั่งซื้ออะไหล่ กรุณาแจ้งหมายเลขสินค้า 10 หลักบนแผ่นป้ายรุ่นของผลิตภัณฑ์ทุกครั้ง ในกรณีประกัน ซ่อมแซม หรือซื้อชิ้นส่วนมาเปลี่ยน กรุณาติดต่อ ผู้ขายที่ได้รับแต่งตั้งเท่านั้น

ไทย

บริษัท โรเบิร์ต มีอช จำกัด
ชั้น 11 ตึกลิเบอร์ตี สแควร์
287 ถนนสีลม บางรัก
กรุงเทพฯ 10500
โทรศัพท์ 02 6393111
โทรสาร 02 2384783
บริษัท โรเบิร์ต มีอช จำกัด ตู้ ปณ. 2054
กรุงเทพฯ 10501 ประเทศไทย
www.bosch.co.th

ศูนย์บริการซ่อมและฝึกอบรม มีอช
อาคาร ลาซาลทาวเวอร์ ชั้น G ห้องเลขที่ 2
บ้านเลขที่ 10/11 หมู่ 16
ถนนศรีนครินทร์
ตำบลบางแก้ว อำเภอบางพลี
จังหวัดสมุทรปราการ 10540
ประเทศไทย
โทรศัพท์ 02 7587555
โทรสาร 02 7587525

การขนส่ง

แบตเตอรี่ลิเทียม ไอออน ที่บรรจุอยู่ภายใต้ข้อกำหนดแห่งกฎหมายสินค้าอันตราย ผู้ใช้สามารถขนส่งแบตเตอรี่โดยทางถนนโดยไม่มีข้อบังคับอื่น

หากขนส่งโดยบุคคลที่สาม (เช่น: การขนส่งทางอากาศ หรือตัวแทนขนส่งสินค้า) ต้องปฏิบัติตามข้อกำหนดพิเศษเกี่ยวกับการบรรจุภัณฑ์และการติดฉลาก ในการจัดเตรียมสิ่งของที่จะจัดส่ง ต้องปรึกษาผู้เชี่ยวชาญสำหรับวัตถุดิบอันตราย

ส่งแบตเตอรี่เมื่อตัวหุ้มไม่ชำรุดเสียหายเท่านั้น ใช้แถบกาพพันปิดหน้าสัมผัสที่เปิดอยู่ และนำแบตเตอรี่ใส่กล่องบรรจุโดยไม่ให้เคลื่อนไปมาในกล่องได้นอกจากนี้กรุณาปฏิบัติตามกฎระเบียบของประเทศซึ่งอาจมีรายละเอียดเพิ่มเติม

การกำจัดขยะ

เครื่อง แบตเตอรี่ที่นำกลับมารีไซเคิลได้ อุปกรณ์ประกอบ และทิปห่อ ต้องนำไปแยกประเภทวัสดุเพื่อนำกลับมาใช้ใหม่โดยไม่ทำลายสภาพแวดล้อม อย่างไรก็ตาม ควรนำแบตเตอรี่/แบตเตอรี่ที่นำกลับมาใช้ใหม่ได้ ลงในขยะบ้าน!

แบตเตอรี่แพ็ค/แบตเตอรี่:

Li-ion:
กรุณาปฏิบัติตามคำสั่งในบท
"การขนส่ง" หน้า 33

ขอสงวนสิทธิ์ในการเปลี่ยนแปลงโดยไม่ต้องแจ้งล่วงหน้า

Bahasa Indonesia**Petunjuk-Petunjuk untuk Keselamatan Kerja****Petunjuk-Petunjuk Umum untuk Perkakas Listrik**

⚠ PERHATIKANLAH Bacalah semua petunjuk-petunjuk untuk keselamatan kerja dan petunjuk-petunjuk untuk penggunaan.

Kesalahan dalam menjalankan petunjuk-petunjuk untuk keselamatan kerja dan petunjuk-petunjuk untuk penggunaan dapat mengakibatkan kontak listrik, kebakaran dan/atau luka-luka yang berat.

34 | Bahasa Indonesia

Simpanlah semua petunjuk-petunjuk untuk keselamatan kerja dan petunjuk-petunjuk lainnya untuk penggunaan di masa depan.

Kata „perkakas listrik“ yang disebutkan di dalam petunjuk-petunjuk untuk keselamatan kerja adalah sebutan untuk perkakas listrik pakai listrik jaringan (dengan kabel) dan untuk perkakas listrik tenaga baterai (tanpa kabel listrik).

Keselamatan kerja di tempat kerja

- ▶ **Jagalah supaya tempat kerja selalu bersih dan terang.** Tempat kerja yang tidak rapi atau tidak terang dapat mengakibatkan terjadinya kecelakaan.
- ▶ **Janganlah menggunakan perkakas listrik di tempat di mana dapat terjadi ledakan, di mana ada cairan, gas atau debu yang mudah terbakar.** Perkakas listrik dapat memancarkan bunga api yang lalu mengakibatkan debu atau uap terbakar.
- ▶ **Selama menggunakan perkakas listrik, jauhkan anak-anak dan orang-orang lain dari tempat kerja.** Jika konsentrasi terganggu, bisa jadi Anda tidak bisa mengendalikan perkakas listrik tersebut.

Keamanan listrik

- ▶ **Steker dari perkakas listrik harus cocok pada stopkontak. Janganlah sekali-kali merubah steker. Janganlah menggunakan steker perantara bersama dengan perkakas listrik yang mempunyai hubungan arde.** Steker yang tidak dirubah dan stopkontak yang cocok mengurangi bahaya terjadinya kontak listrik.
- ▶ **Jagalah supaya badan Anda tidak bersentuhan dengan permukaan yang mempunyai hubungan arde, misalnya pipa-pipa, radiator pemanas ruangan, kompor listrik dan lemari es.** Ada risiko besar terjadi kontak listrik, jika badan Anda mempunyai hubungan arde.
- ▶ **Jagalah supaya perkakas listrik tidak kena hujan atau menjadi basah.** Air yang masuk ke dalam perkakas listrik menambah risiko terjadinya kontak listrik.
- ▶ **Janganlah menyalah gunakan kabel listrik untuk mengangkat dan menggantungkan perkakas listrik atau untuk menarik steker dari stopkontak. Jagalah supaya kabel listrik tidak kena panas, minyak, pinggirang yang tajam atau bagian-bagian perkakas yang bergerak.** Kabel listrik yang rusak atau tersangkut menambah risiko terjadinya kontak listrik.
- ▶ **Jika Anda menggunakan perkakas listrik di luar gedung, gunakanlah hanya kabel sambungan yang juga cocok untuk pemakaian di luar gedung.** Penggunaan kabel sambungan yang cocok untuk pemakaian di luar gedung mengurangi risiko terjadinya kontak listrik.
- ▶ **Jika penggunaan perkakas listrik di tempat yang basah tidak bisa dihindarkan, gunakanlah sakelar pengaman terhadap arus penyimpangan.** Penggunaan sakelar pengaman terhadap arus penyimpangan mengurangi risiko terjadinya kontak listrik.

Keselamatan kerja

- ▶ **Berhati-hatilah selalu, perhatikanlah apa yang Anda kerjakan dan bekerjalah dengan seksama jika menggunakan perkakas listrik. Janganlah mengguna-**

kan perkakas listrik, jika Anda capai atau berada di bawah pengaruh narkoba, minuman keras atau obat.

Jika Anda sekejap mata saja tidak berhati-hati sewaktu menggunakan perkakas listrik, dapat terjadi luka-luka berat.

- ▶ **Pakaiilah pakaian dan sarana pelindung dan pakaiilah selalu kaca mata pelindung.** Dengan memakai pakaian dan sarana pelindung, misalnya kedok anti debu (masker), sepatu tertutup yang tidak licin, helm pelindung atau pemalut telinga sesuai dengan pekerjaan yang dilakukan dengan perkakas listrik, bahaya terjadinya luka-luka dapat dikurangi.
 - ▶ **Jagalah supaya perkakas listrik tidak dihidupkan secara tidak disengaja. Perhatikan bahwa perkakas listrik dalam penyetelan mati, jika steker disambungkan pada pengadaan listrik dan/atau baterai, jika perkakas listrik diangkat atau dibawa.** Jika selama mengangkat perkakas listrik jari Anda berada pada tombol untuk menghidupkan dan mematikan atau perkakas listrik yang dalam penyetelan hidup disambungkan pada listrik, dapat terjadi kecelakaan.
 - ▶ **Lepaskan semua perkakas-perkakas penyetelan atau kunci-kunci pas sebelum perkakas listrik dihidupkan.** Perkakas atau kunci yang berada di dalam bagian yang berputar dapat mengakibatkan terjadinya luka-luka.
 - ▶ **Aturkan badan sedemikian sehingga Anda bisa bekerja dengan aman. Berdirilah secara mantap dan jagalah selalu keseimbangan.** Dengan demikian Anda bisa mengendalikan perkakas listrik dengan lebih baik, jika terjadi sesuatu dengan tiba-tiba.
 - ▶ **Pakaiilah pakaian yang cocok. Janganlah memakai pakaian yang longgar atau perhiasan. Jagalah supaya rambut, pakaian dan sarung tangan tidak masuk dalam bagian-bagian perkakas yang bergerak.** Pakaian yang longgar, rambut panjang atau perhiasan dapat tersangkut dalam bagian perkakas yang bergerak.
 - ▶ **Jika ada kemungkinan untuk memasang sarana penghisapan dan penampungan debu, perhatikan bahwa sarana-sarana ini telah dipasang dan digunakan dengan betul.** Penggunaan sarana penghisapan bisa mengurangi bahaya yang disebabkan debu.
- Penggunaan dan penanganan perkakas listrik dengan seksama**
- ▶ **Janganlah membebankan perkakas listrik terlalu berat. Gunakan selalu perkakas listrik yang cocok untuk pekerjaan yang dilakukan.** Dengan perkakas listrik yang cocok Anda bekerja lebih baik dan lebih aman dalam batas-batas kemampuan yang ditentukan.
 - ▶ **Janganlah menggunakan perkakas listrik yang tombolnya rusak.** Perkakas listrik yang tidak bisa dihidupkan atau dimatikan, berbahaya dan harus direparasikan.
 - ▶ **Tariklah steker dari stopkontak dan/atau keluarkan baterai, sebelum Anda melakukan penyetelan pada perkakas listrik, mengganti alat-alat kerja atau sebelum menyimpan perkakas listrik.** Tindakan keselamatan kerja ini mengurangi bahaya perkakas listrik hidup secara tidak disengaja.

- ▶ **Simpanlah perkakas listrik yang tidak digunakan di luar jangkauan anak-anak. Janganlah mengizinkan orang-orang yang tidak mengenal perkakas listrik ini atau yang belum membaca petunjuk-petunjuk ini, menggunakan perkakas listrik ini.** Perkakas listrik bisa menjadi berbahaya, jika digunakan oleh orang-orang yang tidak mengenalnya.
- ▶ **Rawatlah perkakas listrik dengan seksama. Periksalah, apakah bagian-bagian perkakas listrik yang bergerak berfungsi dengan baik dan tidak tersangkut, apakah ada bagian-bagian yang patah atau rusak sedemikian, sehingga dapat mempengaruhi jalannya perkakas listrik. Biarkan bagian-bagian perkakas yang rusak direparasikan, sebelum Anda mulai menggunakan perkakas listrik.** Banyak kecelakaan terjadi karena perkakas listrik tidak dirawat dengan seksama.
- ▶ **Perhatikan supaya alat-alat pemotong selalu tajam dan bersih.** Alat-alat pemotong dengan mata-mata pemotong yang tajam dan dirawat dengan seksama tidak mudah tersangkut dan lebih mudah dikendalikan.
- ▶ **Gunakanlah semua perkakas listrik, aksesor, alat-alat kerja dsb. sesuai dengan petunjuk-petunjuk. Perhatikan syarat-syarat kerja dan macam pekerjaan yang dilakukan.** Penggunaan perkakas listrik untuk macam pekerjaan yang tidak cocok dengan kegunaannya bisa mengakibatkan keadaan yang berbahaya.

Penanganan dan penggunaan perkakas-perkakas pakai baterai dengan seksama

- ▶ **Isikan baterai hanya dalam alat-alat pencas baterai yang dianjurkan oleh pabrik.** Jika suatu alat pencas baterai yang cocok untuk mengisi satu macam baterai tertentu, digunakan untuk mengisi baterai-baterai lainnya, ada bahaya terjadinya kebakaran.
- ▶ **Gunakanlah hanya baterai-baterai yang cocok dan khusus untuk masing-masing perkakas listrik.** Penggunaan baterai-baterai lain dapat mengakibatkan terjadinya luka-luka dan kebakaran.
- ▶ **Jika baterai tidak digunakan, jauhkan baterai dari klip untuk kertas, uang logam, kunci, paku, sekrup atau benda-benda kecil dari logam lainnya, yang dapat menjembatani kontak-kontak.** Korsleting antara kontak-kontak baterai dapat mengakibatkan kebakaran atau api.
- ▶ **Jika baterai tidak digunakan dengan betul, dapat keluar cairan dari baterai. Jagalah supaya Anda tidak terkena pada cairan ini. Jika secara tidak disengaja Anda terkena pada cairan ini, cucikan dengan air. Jika cairan tersebut terkena pada mata, selain tindakan di atas, segera hubungi seorang dokter.** Cairan yang keluar dari baterai dapat mengakibatkan gangguan pada kulit atau kebakaran.

Servis

- ▶ **Biarkan perkakas listrik Anda direparasikan hanya oleh orang-orang ahli yang berpengalaman dan hanya dengan menggunakan suku cadang yang asli.** Dengan demikian terjamin keselamatan kerja dengan perkakas listrik ini secara berkesinambungan.

Petunjuk-petunjuk untuk keselamatan kerja dengan mesin gergaji tidak

- ▶ **Pegang erat perkakas listrik dengan kedua tangan selama mengoperasikannya dan pastikan Anda berdiri pada posisi aman.** Gunakan perkakas listrik dengan kedua tangan secara hati-hati.
- ▶ **Peganglah perkakas listrik hanya pada pegangan yang terisolir, jika Anda melakukan pekerjaan di mana alat kerjanya bisa terkena pada saluran listrik yang tidak terlihat.** Sentuhan pada kabel yang bertegangan dapat mengakibatkan bagian-bagian logam dari perkakas listrik juga bertegangan dan lalu mengakibatkan kontak listrik.
- ▶ **Jauhkan tangan-tangan Anda dari tempat penggergajian. Janganlah menjangkau di bawah benda yang dikerjakan.** Persentuhan dengan mata gergaji bisa mengakibatkan luka-luka.
- ▶ **Hidupkan dahulu perkakas listrik, baru kemudian perkakas listrik didekatkan pada benda yang dikerjakan.** Jika tidak demikian ada bahaya perkakas listrik membanting jika alat kerja tersangkut dalam benda yang dikerjakan.
- ▶ **Tekan pelat dasar 2 dengan kuat selama menggergaji.** Mata gergaji dapat tersangkut dan mengakibatkan hilang kontrol atas perkakas listrik.
- ▶ **Setelah pekerjaan menggergaji rampung, matikan perkakas listrik dan tunggulah sampai mata gergaji berhenti bergerak, baru setelah itu mata gergaji dikeluarkan dari jalur pemotongan.** Dengan demikian bisa dihindarkan terjadinya bantingan dan perkakas listrik bisa diletakkan dengan aman.
- ▶ **Gunakanlah hanya mata gergaji-mata gergaji yang tidak rusak dan mulus.** Mata gergaji-mata gergaji yang melengkung atau tidak tajam bisa patah, membuat potongan tidak bagus atau mengakibatkan bantingan.
- ▶ **Setelah perkakas listrik dimatikan, janganlah meremkan mata gergaji dengan cara menekan pada sisinya.** Ini bisa mengakibatkan mata gergaji menjadi rusak, patah atau bisa mengakibatkan bantingan.
- ▶ **Tahankan benda yang dikerjakan dengan teguh. Janganlah menahan benda yang dikerjakan dengan cara menyandarkan pada tangan atau kaki. Janganlah menyentuhkan gergaji yang sedang berjalan pada barang-barang atau lantai.** Perkakas listrik bisa membanting.
- ▶ **Gunakanlah alat detektor logam yang cocok untuk mencari kabel dan pipa pengadaan yang tidak terlihat, atau hubungi perusahaan pengadaan setempat.** Sentuhan dengan kabel-kabel listrik bisa mengakibatkan api dan kontak listrik. Pipa gas yang dirusak bisa mengakibatkan ledakan. Pipa air yang dirusak mengakibatkan barang-barang menjadi rusak.
- ▶ **Usahakan supaya benda yang dikerjakan tidak goyang.** Benda yang ditahan dalam alat pemegang atau bais lebih mantap daripada benda yang dipegang dengan tangan.

36 | Bahasa Indonesia

- ▶ **Sebelum meletakkan perkakas listrik, tunggulah sampai perkakas berhenti memutar.** Alat kerja bisa tersangkut dan membuat perkakas listrik tidak bisa dikendalikan.
 - ▶ **Sebelum melakukan semua pekerjaan pada perkakas listrik (misalnya merawat, mengganti alat kerja dsb.) serta selama transpor atau penyimpanan, keluarkanlah baterai dari perkakas listrik.** Jika tombol untuk menghidupkan dan mematikan digerakkan tanpa sengaja, bisa terjadi luka-luka.
 - ▶ **Janganlah membuka baterai.** Ada bahaya terjadinya korsleting.
-  **Lindungilah baterai terhadap panas, misalnya juga terhadap penyinaran matahari yang lama, api, air dan kelembaban.** Ada bahaya terjadinya ledakan.
- ▶ **Jika baterai rusak dan jika baterai digunakan salah, baterai bisa mengeluarkan uap. Biarkan udara segar mengalir masuk dan jika Anda merasa tidak enak badan, pergilah ke dokter.** Uap tersebut bisa mengganggu saluran pernafasan.
 - ▶ **Gunakanlah baterai hanya bersama dengan perkakas listrik merek Bosch.** Hanya dengan demikian baterai dilindungi terhadap pembebanan terlalu berat yang berbahaya.
 - ▶ **Baterai dapat rusak akibat benda berujung runcing seperti paku atau obeng atau akibat tekanan yang kuat dari luar.** Hal ini dapat menyebabkan terjading hubungan singkat internal dan baterai dapat terbakar, berasap, meledak, atau mengalami panas berlebih.

Penjelasan tentang produk dan daya



Bacalah semua petunjuk-petunjuk untuk keselamatan kerja dan petunjuk-petunjuk untuk penggunaan. Kesalahan dalam menjalankan petunjuk-petunjuk untuk keselamatan kerja dan petunjuk-petunjuk untuk penggunaan dapat mengakibatkan kontak listrik, kebakaran dan/atau luka-luka yang berat.

Penggunaan alat

Perkakas listrik ini cocok untuk menggergaji kayu, bahan sintetis, logam dan bahan-bahan untuk membangun rumah dengan sandaran teguh. Perkakas listrik ini cocok untuk pemotongan lurus dan berliku-liku. Perhatikanlah petunjuk-petunjuk tentang mata gergaji.

Lampu pada perkakas listrik ini dimaksudkan untuk menerangi area pekerjaan perkakas listrik dan tidak sesuai untuk penerangan ruang dalam rumah.

Bagian-bagian pada gambar

Nomor-nomor dari bagian-bagian sesuai dengan nomor-nomor pada gambar perkakas listrik pada halaman bergambar.

- 1 Mata gergaji*
- 2 Pelat dasar

- 3 Stang seher
- 4 Tuas pelepas mata gergaji
- 5 Kait untuk menggantung
- 6 Selektor putar untuk kekuatan putaran (3 tingkatan)
- 7 Roda untuk penyetelan pendahuluan jumlah langkah
- 8 Tombol untuk menghidupkan dan mematikan
- 9 Pengunci penghidupan kembali untuk tombol untuk menghidupkan dan mematikan
- 10 Baterai
- 11 Petanda keberisian baterai
- 12 Tombol untuk petanda keberisian baterai
- 13 Tombol pelepas untuk pengaturan pelat dasar
- 14 Lampu „PowerLight“ (LED ganda)
- 15 Pegangan (genggaman terisolir)
- 16 Tombol pelepas baterai
- 17 Kompartemen baterai
- 18 Pegangan mata gergaji

*Tergantung pada versi negara, mata gergaji yang berbeda termasuk dalam pengiriman.

Data teknis

Mesin gergaji todak	GSA 18V-32	
Nomor model	3 601 FA8 1..	
Dimensi dengan baterai/tanpa baterai		
– panjang	mm	482/482
– lebar	mm	101/101
– tinggi	mm	218/198
Tegangan nominal	V=	18
Banyaknya langkah tanpa beban n_0	min ⁻¹	0 – 2500
Pemegang alat kerja	SDS	
Langkah	mm	32
Kedalaman pemotongan maks.		
– di kayu	mm	230
– di baja, murni	mm	20
– diameter pipa	mm	175
Berat sesuai dengan EPTA-Procedure 01:2014	kg	3,9
Suhu sekitar yang diizinkan		
– saat melakukan pengisian	°C	0... +45
– selama pengoperasian* dan selama penyimpanan	°C	–20... +50
Baterai yang disarankan	GBA 18V.. GBA 18V... W	
Pengisi daya baterai yang direkomendasikan	AL 18.. GAL 3680 GAL 18... W	

* daya dibatasi pada suhu < 0 °C

Data teknis diukur dengan aki yang ikut dipasok.

Cara memasang

Cara mengisi baterai

► **Hanya gunakan pengisi baterai yang terdaftar di data teknis.** Hanya pengisi baterai ini yang dicocokkan pada baterai ion-Li yang diperlukan bagi perkakas listrik Anda.

Petunjuk: Baterai dipasang dalam keadaan diisi sebagian. Untuk menjamin daya penuh dari baterai, sebelum penggunaannya untuk pertama kalinya, isikanlah baterai sampai penuh sama sekali di dalam alat pencas baterai.

Baterai ion-Li bisa diisi sewaktu-waktu, tanpa mengurangi daya tahannya. Baterai tidak menjadi rusak jika pengisiannya dihentikan untuk sementara waktu.

Baterai ion-Li dilindungi terhadap pengosongan sama sekali oleh „Electronic Cell Protection (ECP)“. Jika baterai kosong perkakas listrik dimatikan oleh pengaman: alat kerja berhenti memutar.

► **Lepaskan tekanan pada tombol untuk menghidupkan dan mematikan mesin, jika perkakas listrik mati secara otomatis.** Jika tombol ditekan terus, baterai bisa menjadi rusak.

Perhatikanlah petunjuk-petunjuk untuk membuang.

Cara mengeluarkan baterai (lihat gambar A)

Baterai **10** dilengkapi dengan penguncian dua tahapan, yang dimaksudkan untuk melindungi baterai supaya tidak terjatuh ke luar jika tombol pelepas baterai **16** tertekan tanpa disengaja. Selama baterai berada di dalam perkakas listrik, baterai ditahan dalam kedudukannya oleh satu fer.

Untuk mengeluarkan baterai **10**, tekan tombol pelepas baterai **16** dan tarikkan baterai ke belakang ke luar dari perkakas listrik. **Janganlah melakukannya dengan paksaan.**

Petanda keberisian baterai

Ketiga lampu petanda LED hijau dari petanda keberisian baterai **11** menunjukkan keadaan keberisian baterai **10**. Demi keselamatan kerja, keadaan keberisian baterai hanya bisa diperiksa selama perkakas listrik dalam keadaan berhenti.

Tekan tombol **12**, untuk menampilkan petanda keberisian baterai. Hal ini juga bisa dilakukan jika baterai **10** sedang dicopotkan.

LED	Kapasitas
Lampu menetap 3 x hijau	$\geq 2/3$
Lampu menetap 2 x hijau	$\geq 1/3$
Lampu menetap 1 x hijau	$< 1/3$
Lampu berkedip-kedip 1 x hijau	cadangan

Jika setelah tombol **12** ditekan dan tidak ada lampu petanda LED yang menyala, baterai rusak dan harus digantikan.

Selama pengisian aki, ketiga lampu petanda LED hijau menyala berturut-turut dan mati sebentar. Aki terisi penuh jika ketiga lampu petanda LED hijau menyala menetap. Kirakira 5 menit setelah aki terisi penuh, ketiga lampu petanda LED hijau mati dengan sendirinya.

Memasang/mengganti mata gergaji

► **Sebelum melakukan pekerjaan pada perkakas listrik, keluarkan selalu baterai sebelumnya.**

► **Pakailah sarung tangan pelindung pada waktu memasang mata gergaji.** Bisa terjadi luka-luka jika mata gergaji tersentuh.

► **Pada waktu mengganti mata gergaji, perhatikanlah supaya pegangan mata gergaji tidak tercemar karena sisa-sisa kayu atau logam.**

Memilih mata gergaji

Gunakanlah hanya mata gergaji yang cocok untuk mengerjakan bahan yang akan dikerjakan.

Satu ikhtisar tentang mata gergaji-mata gergaji yang disarankan dapat Anda lihat di bagian permulaan dari petunjuk-petunjuk ini. Pasangkan hanya mata gergaji dengan gagang universal $\frac{1}{2}$ ". Janganlah memakai mata gergaji yang terlalu panjang untuk pemotongannya.

Untuk menggergaji belokan-belokan patah, gunakanlah mata gergaji yang tidak lebar.

Memasang mata gergaji (lihat gambar B)

Putar tuas pelepas mata gergaji **4** sekitar 60° sesuai arah panah dan pegang erat. Dorong mata gergaji **1** ke tempat pemasangan mata gergaji **18**. Lepaskan kembali tuas pelepas mata gergaji **4**.

► **Periksalah apakah kedudukan mata gergaji sudah kencang.** Mata gergaji yang tidak kencang duduknya bisa meleset ke luar dan lalu melukai Anda.

Untuk berbagai jenis pekerjaan tertentu, mata gergaji **1** juga bisa diputar sebanyak 180° (gigi-gigi mata gergaji menghadap ke atas) dan kemudian dipasangkan kembali.

Melepaskan mata gergaji (lihat gambar B)

Putar tuas pelepas mata gergaji **4** sekitar 60° sesuai arah panah dan pegang erat. Tarik mata gergaji **1** dari tempat pemasangan mata gergaji **18**. Lepaskan kembali tuas pelepas mata gergaji **4**.

Penghisapan debu/serbuk

► Debu dari bahan-bahan seperti misalnya cat yang mengandung timbel (timah hitam), beberapa jenis kayu, bahan mineral dan logam bisa berbahaya bagi kesehatan. Menyentuh atau menghirup debu-debu ini bisa mengakibatkan reaksi alergi dan/atau penyakit saluran pernafasan dari orang yang menggunakan mesin atau orang yang berada di dekatnya. Beberapa debu tertentu seperti misalnya debu kayu pohon quercus atau pohon fagus silvatica dianggap bisa mengakibatkan penyakit kanker, terutama dalam campuran dengan bahan-bahan tambahan untuk pengolahan kayu (kromat, obat pengawet kayu). Bahan-bahan yang mengandung asbestos hanya boleh dikerjakan oleh orang-orang yang ahli.

- Perhatikanlah supaya ada pertukaran udara di tempat kerja.
- Kami anjurkan supaya Anda memakai kedok anti debu dengan saringan (filter) kelas P2.

38 | Bahasa Indonesia

Taatilah peraturan-peraturan untuk bahan-bahan yang dikerjakan yang berlaku di negara Anda.

- ▶ **Hindarkan debu yang banyak terkumpul di tempat kerja.** Debu dapat menyulut dengan mudahnya.

Penggunaan

Cara penggunaan

Memasang baterai (lihat gambar A)

- ▶ **Gunakanlah hanya baterai ion-Li yang asli dari Bosch dengan tegangan yang tercantum pada label tipe perkakas listrik Anda.** Penggunaan baterai-baterai lainnya bisa menyebabkan terjadinya luka-luka dan bahaya kebakaran.

Masukkan baterai yang sudah terisi daya **10** ke dalam kompartemen baterai **17** hingga terkunci.

Mengendalikan/penyetelan pendahuluan jumlah langkah

Pengoperasian soft start memungkinkan pemotongan yang akurat pada material yang keras (misalnya baja).

Anda bisa menyetelkan jumlah langkah tanpa tingkatan pada perkakas listrik yang sedang berjalan, tergantung dari besarnya tekanan pada tombol untuk menghidupkan dan mematikan **8**.

Tekanan yang ringan pada tombol **8** mengakibatkan jumlah langkah yang rendah. Jika tekanan ditambah, jumlah langkah naik.

Dengan roda untuk penyetelan pendahuluan jumlah langkah **7** Anda bisa menyetelkan jumlah langkah sebelum mulai dengan pekerjaan dan bisa merubahnya selama pekerjaan.

- 1: jumlah langkah rendah
- 6: jumlah langkah tinggi

Elektronika penutup putaran membuat banyaknya langkah tanpa beban dan sewaktu dibebani hampir konstan dan menjamin daya kerja yang rata.

Jumlah langkah yang diperlukan tergantung dari bahan yang dikerjakan dan syarat-syarat kerja dan bisa didapatkan dengan cara uji coba.

Kami anjurkan supaya jumlah langkah dikurangi pada waktu mengenakan mata gergaji pada benda yang dikerjakan serta selama memotong bahan sintetik dan aluminium.

Menyetel keayunan

Keayunan yang bisa disetelkan membuat keberhasilan menggergaji, daya pemotongan dan hasil pemotongan bisa disesuaikan secara optimal pada bahan yang dikerjakan.

Dengan omsakelar untuk menyetel keayunan **6**, Anda bisa menyetelkan keayunan, juga selama perkakas listrik sedang digunakan.

Tanpa keayunan (tingkatan 0):

Untuk mengerjakan bahan-bahan yang tipis atau keras, misalnya pelat logam, baja.

Untuk menghasilkan pemotongan yang rata.

Kekuatan putaran tingkat 1:

Untuk mengerjakan logam non-besi, kayu keras, bahan-bahan sintetik atau bahan-bahan dengan kekerasan medium.

Kekuatan putaran tingkat 2:

Untuk mengerjakan logam non-besi, kayu keras, bahan-bahan sintetik atau bahan-bahan dengan kekerasan medium.

Untuk mengerjakan bahan-bahan yang lunak seperti bahan-bahan bangunan yang ringan, bahan isolasi, kayu lunak dan kayu-kayuan.

Pelat dasar yang bisa bergerak dan digeserkan

Pelat dasar **2** bisa bergerak jungkat-jungkit, supaya kedudukan bisa dicocokkan pada permukaan yang dikerjakan.

Tergantung dari mata gergaji yang digunakan dan jenis penggunaan perkakas listrik, pelat dasar **2** dapat digeserkan dalam 3 tahapan dalam arah memanjang. Tekan tombol pembuka penguncian **13** dan geserkan pelat dasar **2** ke kedudukan yang diperlukan. Lepaskan tombol pembuka penguncian **13** dan periksalah, apakah pelat dasar **2** telah mengancing dengan teguh. Jika perlu, geserkan pelat dasar **2** sedemikian, sehingga pelat dasar mengancing dengan teguh.

Untuk membersihkan tempat pemasangan mata gergaji **18**, lepas pelat dasar **2** dengan menekan tombol pelepas **11**. Setelah dibersihkan, masukkan kembali pelat dasar pada tempatnya hingga terkunci.

- ▶ **Jangan tekan tombol pelepas 13 selama pengoperasian.** Jika tidak, hal ini dapat menimbulkan cedera dan menyebabkan kehilangan kontrol atas perkakas listrik.

Menghidupkan/mematikan

Menghidupkan: Tekan sakelar **9** ke depan. Tekan dan tahan tombol on/off **8** ke atas.

Mematikan: Lepas tombol on/off **8**.

Petunjuk-petunjuk untuk pemakaian

- ▶ **Sebelum melakukan semua pekerjaan pada perkakas listrik (misalnya merawat, mengganti alat kerja dsb.) serta selama transpor atau penyimpanan, keluarkanlah baterai dari perkakas listrik.** Jika tombol untuk menghidupkan dan mematikan digerakkan tanpa sengaja, bisa terjadi luka-luka.
- ▶ **Jika menggergaji bahan-bahan bangunan yang ringan, perhatikanlah peraturan-peraturan dari pemerintah dan petunjuk-petunjuk dari produsen bahan-bahan.**
- ▶ **Harap perhatikan bahwa mata gergaji harus selalu lebih panjang dari diameter benda yang akan dikerjakan, lihat gambar F. Terdapat risiko memantul.**

Sebelum menggergaji kayu, pelat serbuk kayu, bahan bangunan dsb., periksalah apakah ada benda-benda lainnya seperti paku, sekrup dsb. dan keluarkan jika ada.

Hidupkan perkakas listrik dan dekatkannya pada benda yang akan dikerjakan. Kenakan pelat dasar **2** secara rata pada permukaan benda yang akan dikerjakan dan bekerjalah dengan tekanan atau dorongan yang rata sampai selesai. Setelah pekerjaan rampung, matikanlah perkakas listrik.

Jika mata gergaji terjepit, matikanlah segera perkakas listrik. Lebarlah celah gergajian sedikit saja dengan perkakas yang cocok, kemudian tarikkan perkakas listrik ke luar.

Perkakas listrik yang sangat kotor mungkin tidak berfungsi dengan baik. Karena itu janganlah menggergaji bahan-bahan yang menyebabkan banyak debu dari bawah atau janganlah menggergaji bahan yang letaknya lebih tinggi dari kepala Anda.

Pemotongan dalam (lihat gambar E)

- ▶ **Hanya bahan-bahan yang lunak seperti kayu, pelat gips berlapis karton dsb. yang boleh digergaji dengan cara pemotongan dalam! Janganlah menggergaji bahan logam dengan cara pemotongan dalam!**
- ▶ **Gunakan hanya mata gergaji dengan panjang maksimal 100 mm untuk gergaji plunge.** Dengan mata gergaji yang panjang, pelat dasar tidak dapat dipasang dan hal ini mengakibatkan perkakas listrik tidak memiliki penopang.

Pasanglah perkakas listrik dengan pinggiran dari pelat dasar **2** pada benda yang akan dikerjakan dan hidupkan perkakas listrik. Pada perkakas listrik dengan pengendalian banyaknya langkah, setelkan jumlah langkah maksimal. Tekankan perkakas listrik secara keras pada benda yang dikerjakan dan biarkan mata gergaji masuk perlahan-lahan ke dalam benda yang dikerjakan.

Segera setelah pelat dasar **2** terkena rata pada benda yang dikerjakan, teruskan penggergajian pada garis pemotongan yang dikehendaki.

Untuk berbagai jenis pekerjaan tertentu, mata gergaji **1** bisa diputar sebanyak 180° dan kemudian dipasangkan, arah gerak mesin gergaji tidak tentu terbalik juga.

Menggergaji sama rata dengan permukaan (lihat gambar F)

Dengan menggunakan mata gergaji „bimetal“ yang elastis, misalnya bahan bangunan yang menonjol dari dinding seperti pipa air dsb., bisa digergaji sama rata dengan dinding. Gerakkan mata gergaji sejajar dengan permukaan dinding dan dengan dorongan samping pada perkakas listrik, usahakan supaya pelat dasar bersandar pula pada dinding. Hidupkan perkakas listrik dan gergajikan benda dengan tekanan samping yang konstan.

Kait untuk menggantung (lihat gambar D)

Dengan kait untuk menggantung **5** Anda bisa menggantungkan perkakas listrik misalnya pada tangga. Untuk melakukannya, bukakan kait untuk menggantung **5** ke posisi yang dikehendaki.

- ▶ **Ketika menggantung perkakas listrik, pastikan mata gergaji terlindungi dari kontak yang tidak disengaja.** Terdapat risiko cedera.

Tutupkan kait untuk menggantung **5** kembali, jika Anda hendak menggunakan perkakas listrik.

Bahan pendingin/pelumas

Jika Anda menggergaji logam, terjadi panas sehingga sebaiknya Anda mengoleskan bahan pendingin atau bahan pelumas di garis potongan.

Petunjuk-petunjuk untuk penanganan baterai yang optimal

Simpankanlah baterai hanya pada tingkatan suhu antara -20 °C dan 50 °C. Janganlah membiarkan baterai di dalam mobil, misalnya selama musim panas.

Bersihkanlah lubang-lubang ventilasi dari baterai dengan kuas yang lunak, bersih dan kering secara berkala.

Jika setelah diisi waktu pemakaian baterai semakin pendek, ini petanda bahwa baterai sudah aus dan harus diganti.

Perhatikanlah petunjuk-petunjuk untuk membuang.

Rawatan dan servis

Rawatan dan kebersihan

- ▶ **Sebelum melakukan semua pekerjaan pada perkakas listrik (misalnya merawat, mengganti alat kerja dsb.) serta selama transpor atau penyimpanan, keluarkanlah baterai dari perkakas listrik.** Jika tombol untuk menghidupkan dan mematikan digerakkan tanpa sengaja, bisa terjadi luka-luka.
- ▶ **Perkakas listrik dan lubang ventilasi harus selalu dibersihkan supaya perkakas bisa digunakan dengan baik dan aman.**

Bersihkanlah pemegang mata gergaji, paling cocok dengan udara bertekanan atau dengan kuas yang lunak. Untuk melakukannya, lepaskan mata gergaji dari perkakas listrik. Rawatlah pemegang mata gergaji dengan menggunakan bahan pelumas yang cocok, supaya tidak menjadi rusak.

Layanan pasca beli dan konseling terkait pengoperasian

Layanan pasca beli Bosch menjawab semua pertanyaan Anda terkait reparasi dan maintenance serta suku cadang produk ini. Gambar tiga dimensi dan informasi terkait suku cadang dapat Anda lihat di:

www.bosch-pt.com

Tim konseling pengoperasian dari Bosch dengan senang hati membantu Anda, jika Anda hendak bertanya tentang produk-produk kami dan aksesorisnya.

Jika Anda hendak menanyakan sesuatu atau memesan suku cadang, sebutkan selalu nomor model yang terdiri dari 10 angka dan tercantum pada label tipe produk.

Indonesia

PT Robert Bosch
Palma Tower 10th Floor
Jl. RA Kartini II-S Kaveling 6 Sek II
Pondok Pinang, Kebayoran Lama
Jakarta Selatan 12310
Indonesia
Tel.: (021) 3005 5800
Fax: (021) 3005 5801
E-Mail: boschpowertools@id.bosch.com
www.bosch-pt.co.id

40 | Tiếng Việt

Transpor

Pada baterai-baterai ion-Li yang digunakan diterapkan persyaratan terkait peraturan-peraturan tentang bahan-bahan yang berbahaya. Baterai-baterai dapat diangkut oleh penggunanya di jalanan tanpa harus memenuhi syarat-syarat tertentu.

Pada pengiriman oleh pihak ketiga (misalnya transportasi dengan pesawat udara atau perusahaan ekspedisi) harus ditaati syarat-syarat terkait kemasan dan pemberian tanda. Dalam hal ini, untuk mempersiapkan transportasi harus diminta dukungan seorang ahli bahan-bahan berbahaya.

Kirimkan baterai hanya jika rumahnya tidak rusak. Kontak-kontak yang terbuka harus ditutupi dengan pita perekat dan kemaskan baterai sedemikian, sehingga baterai tidak bergerak-gerak di dalam kemasan.

Taatilah peraturan-peraturan nasional lainnya yang mungkin lebih rinci yang berlaku di negara Anda.

Cara membuang



Semua perkakas listrik, baterai, aksesoris dan kemasan sebaiknya didaur ulang dengan upaya untuk melindungi lingkungan hidup.

Janganlah membuang perkakas listrik, baterai isi ulang/baterai ke dalam sampah rumah tangga!

Baterai isi ulang/Baterai:



Ion-Li:

Perhatikanlah petunjuk-petunjuk dalam bab „Transpor“, halaman 40.

Perubahan dapat terjadi tanpa pemberitahuan sebelumnya.

Tiếng Việt

Các Nguyên Tắc An Toàn

Cảnh báo tổng quát cách sử dụng an toàn dụng cụ điện cầm tay

⚠ CẢNH BÁO Đọc kỹ mọi cảnh báo an toàn và hướng dẫn. Không tuân thủ mọi cảnh báo và hướng dẫn được liệt kê dưới đây có thể bị điện giật, gây cháy và/hay bị thương tật nghiêm trọng.

Hãy giữ tất cả tài liệu về cảnh báo và hướng dẫn để tham khảo về sau.

Thuật ngữ “dụng cụ điện cầm tay” trong phần cảnh báo là để cập đến sự sử dụng dụng cụ điện cầm tay của bạn, loại sử dụng điện nguồn (có dây cắm điện) hay vận hành bằng pin (không dây cắm điện).

Khu vực làm việc an toàn

▶ **Giữ nơi làm việc sạch và đủ ánh sáng.** Nơi làm việc bừa bộn và tối tăm dễ gây ra tai nạn.

▶ **Không vận hành dụng cụ điện cầm tay trong môi trường dễ gây nổ, chẳng hạn như nơi có chất lỏng dễ cháy, khí đốt hay rác.** Dụng cụ điện cầm tay tạo ra các tia lửa nên có thể làm rác bén cháy hay bốc khói.

▶ **Không để trẻ em hay người đến xem đứng gần khi vận hành dụng cụ điện cầm tay.** Sự phân tâm có thể gây ra sự mất điều khiển.

An toàn về điện

▶ **Phích cắm của dụng cụ điện cầm tay phải thích hợp với ổ cắm. Không bao giờ được cài biến lại phích cắm dưới mọi hình thức. Không được sử dụng phích tiếp hợp nối tiếp đất (dây mát).** Phích cắm nguyên bản và ổ cắm đúng loại sẽ làm giảm nguy cơ bị điện giật.

▶ **Tránh không để thân thể tiếp xúc với đất hay các vật có bề mặt tiếp đất như đường ống, lò sưởi, hàng rào và tủ lạnh.** Có nhiều nguy cơ bị điện giật hơn nếu cơ thể bạn bị tiếp hay nối đất.

▶ **Không được để dụng cụ điện cầm tay ngoài mưa hay ở tình trạng ẩm ướt.** Nước vào máy sẽ làm tăng nguy cơ bị điện giật.

▶ **Không được làm dụng cụ dây dẫn điện. Không bao giờ được nắm dây dẫn để xách, kéo hay rút phích cắm dụng cụ điện cầm tay. Không để dây gần nơi có nhiệt độ cao, dầu nhớt, vật nhọn bén hay bộ phận chuyển động.** Làm hỏng hay cuộn rối dây dẫn làm tăng nguy cơ bị điện giật.

▶ **Khi sử dụng dụng cụ điện cầm tay ngoài trời, dùng dây nối thích hợp cho việc sử dụng ngoài trời.** Sử dụng dây nối thích hợp cho việc sử dụng ngoài trời làm giảm nguy cơ bị điện giật.

▶ **Nếu việc sử dụng dụng cụ điện cầm tay ở nơi ẩm ướt là không thể tránh được, dùng thiết bị ngắt mạch tự động (RCD) bảo vệ nguồn.** Sử dụng thiết bị ngắt mạch tự động RCD làm giảm nguy cơ bị điện giật.

An toàn cá nhân

▶ **Hãy tỉnh táo, biết rõ mình đang làm gì và hãy sử dụng ý thức khi vận hành dụng cụ điện cầm tay. Không sử dụng dụng cụ điện cầm tay khi đang mệt mỏi hay đang bị tác động do chất gây nghiện, rượu hay dược phẩm gây ra.** Một thoáng mất tập trung khi đang vận hành dụng cụ điện cầm tay có thể gây thương tích nghiêm trọng cho bản thân.

▶ **Sử dụng trang bị bảo hộ cá nhân. Luôn luôn đeo kính bảo vệ mắt.** Trang bị bảo hộ như khẩu trang, giày chống trượt, nón bảo hộ, hay dụng cụ bảo vệ tai khi được sử dụng đúng nơi đúng chỗ sẽ làm giảm nguy cơ thương tật cho bản thân.

▶ **Phòng tránh máy khởi động bất ngờ. Bảo đảm công tắc máy ở vị trí tắt trước khi cắm vào nguồn điện và/hay lắp pin vào, khi nhắc máy**

lên hay khi mang xách máy. Ngáng ngón tay vào công tắc máy để xách hay kích hoạt dụng cụ điện cầm tay khi công tắc ở vị trí mở để dẫn đến tai nạn.

- ▶ **Lấy mọi chìa hay khóa điều chỉnh ra trước khi mở điều dụng cụ điện cầm tay.** Khóa hay chìa còn gắn dính vào bộ phận quay của dụng cụ điện cầm tay có thể gây thương tích cho bản thân.
- ▶ **Không rướn người. Luôn luôn giữ tư thế đứng thích hợp và thẳng bằng.** Điều này tạo cho việc điều khiển dụng cụ điện cầm tay tốt hơn trong mọi tình huống bất ngờ.
- ▶ **Trang phục thích hợp. Không mặc quần áo rộng lủng thụng hay mang trang sức. Giữ tóc, quần áo và găng tay xa khỏi các bộ phận chuyển động.** Quần áo rộng lủng thụng, đồ trang sức hay tóc dài có thể bị cuốn vào các bộ phận chuyển động.
- ▶ **Nếu có các thiết bị đi kèm để nối máy hút bụi và các phụ kiện khác, bảo đảm các thiết bị này được nối và sử dụng tốt.** Việc sử dụng các thiết bị gom hút bụi có thể làm giảm các độc hại liên quan đến bụi gây ra.

Sử dụng và bảo dưỡng dụng cụ điện cầm tay

- ▶ **Không được ép máy. Sử dụng dụng cụ điện cầm tay đúng loại theo đúng ứng dụng của bạn.** Dụng cụ điện cầm tay đúng chức năng sẽ làm việc tốt và an toàn hơn theo đúng tiến độ mà máy được thiết kế.
- ▶ **Không sử dụng dụng cụ điện cầm tay nếu như công tắc không tắt và mở được.** Bất kỳ dụng cụ điện cầm tay nào mà không thể điều khiển được bằng công tắc là nguy hiểm và phải được sửa chữa.
- ▶ **Rút phích cắm ra khỏi nguồn điện và/hay pin ra khỏi dụng cụ điện cầm tay trước khi tiến hành bất kỳ điều chỉnh nào, thay phụ kiện, hay cất dụng cụ điện cầm tay.** Các biện pháp ngăn ngừa như vậy làm giảm nguy cơ dụng cụ điện cầm tay khởi động bất ngờ.
- ▶ **Cất giữ dụng cụ điện cầm tay không dùng tới nơi trẻ em không lấy được và không cho người chưa từng biết dụng cụ điện cầm tay hay các hướng dẫn này sử dụng dụng cụ điện cầm tay.** Dụng cụ điện cầm tay nguy hiểm khi ở trong tay người chưa được chỉ cách sử dụng.
- ▶ **Bảo quản dụng cụ điện cầm tay. Kiểm tra xem các bộ phận chuyển động có bị sai lệch hay kẹt, các bộ phận bị rạn nứt và các tình trạng khác có thể ảnh hưởng đến sự vận hành của máy. Nếu bị hư hỏng, phải sửa chữa máy trước khi sử dụng.** Nhiều tai nạn xảy ra do bảo quản dụng cụ điện cầm tay tồi.

- ▶ **Giữ các dụng cụ cắt bén và sạch.** Bảo quản đúng cách các dụng cụ cắt có cạnh cắt bén làm giảm khả năng bị kẹt và dễ điều khiển hơn.
- ▶ **Sử dụng dụng cụ điện cầm tay, phụ kiện, đầu cài v. v., đúng theo các chỉ dẫn này, hãy lưu ý đến điều kiện làm việc và công việc phải thực hiện.** Sử dụng dụng cụ điện cầm tay khác với mục đích thiết kế có thể tạo nên tình huống nguy hiểm.

Sử dụng và bảo quản dụng cụ dùng pin

- ▶ **Chỉ được sạc pin lại với bộ nạp điện do nhà sản xuất chỉ định.** Bộ nạp điện thích hợp cho một loại pin có thể gây nguy cơ cháy khi sử dụng cho một loại pin khác.
- ▶ **Chỉ sử dụng dụng cụ điện cầm tay với loại pin được thiết kế đặc biệt dành riêng cho máy.** Sử dụng bất cứ loại pin khác có thể dẫn đến thương tật hay cháy.
- ▶ **Khi không sử dụng pin, để cách xa các vật bằng kim loại như kẹp giấy, tiền xu, chìa khóa, đinh, ốc vít hay các đồ vật kim loại nhỏ khác, thứ có thể tạo sự nối tiếp từ một đầu cực với một đầu cực khác.** Sự chập mạch của các đầu cực với nhau có thể gây bỏng hay cháy.
- ▶ **Bảo quản ở tình trạng tối, dung dịch từ pin có thể tứa ra; tránh tiếp xúc. Nếu vô tình chạm phải, hãy xối nước để rửa. Nếu dung dịch vào mắt, cần thêm sự hỗ trợ của y tế.** Dung dịch tiết ra từ pin có thể gây ngứa hay bỏng.


Bảo dưỡng

- ▶ **Đưa dụng cụ điện cầm tay của bạn đến thợ chuyên môn để bảo dưỡng, chỉ sử dụng phụ tùng đúng chủng loại để thay.** Điều này sẽ đảm bảo sự an toàn của máy được giữ nguyên.

Cảnh Báo An Toàn cho các loại Cửa Kiểm

- ▶ **Giữ máy thật chắc bằng cả hai tay trong khi làm việc và luôn luôn giữ tư thế đứng cho thích hợp và cân bằng.** Dùng hai tay để điều khiển máy thì an toàn hơn.
- ▶ **Nắm giữ dụng cụ điện nơi phần nắm cách điện khi thực hiện việc gia công nơi dụng cụ cắt có thể chạm vào dây điện không nhìn thấy được hay chính dây của máy.** Dụng cụ cắt chạm vào dây "có điện" có thể làm cho các bộ phận kim loại không được bao bọc của dụng cụ điện "có điện" và có khả năng gây cho người sử dụng máy bị điện giật.
- ▶ **Đế tay tránh xa khỏi phạm vi cắt. Không được tiếp xúc với phần bên dưới vật gia công.** Tiếp xúc với lưỡi cửa có thể dẫn đến việc bị thương tích.

42 | Tiếng Việt

- ▶ **Chỉ cho máy gia công vật liệu khi máy đã hoạt động.** Nếu không làm vậy thì sẽ có nguy cơ bị giật ngược do dụng cụ cắt bị kẹt chặt trong vật gia công.
 - ▶ **Hãy nhấn tám nền 2 tỷ vào phôi gia công khi cưa.** Lưỡi cưa có thể bị kẹt chặt dẫn đến việc dụng cụ điện cầm tay bị mất điều khiển.
 - ▶ **Khi đã cắt xong, tắt máy và sau đó rút lưỡi cưa ra khỏi mạch cắt chỉ sau khi lưỡi cưa đã ngừng chuyển động hoàn toàn.** Thực hiện như vậy bạn có thể tránh được sự giật ngược và có thể đặt máy xuống một cách an toàn.
 - ▶ **Chỉ sử dụng lưỡi cưa còn nguyên vẹn, có tình trạng hoàn hảo.** Lưỡi cưa bị cong hay cùn có thể bị gãy, ảnh hưởng xấu đến sự cắt, và có thể gây ra sự dội ngược.
 - ▶ **Không được hãm lưỡi cưa cho dừng lại bằng cách tạo lực ép lên hông lưỡi cưa sau khi tắt máy.** Lưỡi cưa có thể bị hỏng, gãy hay gây ra giật ngược.
 - ▶ **Kẹp vật liệu cho thật chắc. Không được dùng tay hay chân của bạn để kềm giữ vật gia công. Không được để cưa đang hoạt động chạm vào các đồ vật hay mặt sàn.** Nguy cơ của sự giật ngược.
 - ▶ **Sử dụng thiết bị dò tìm thích hợp để xác định các đường hay ống dẫn công ích nằm âm trong khu vực làm việc hay liên hệ với Cty công trình phúc lợi để nhờ giúp đỡ.** Tiếp xúc với dây điện có thể dẫn đến cháy và bị điện giật. Chạm đường dẫn khí đốt có thể gây nổ. Làm thủng ống dẫn nước có thể làm hư hại tài sản hay có thể gây ra điện giật.
 - ▶ **Kẹp chặt vật gia công.** Vật gia công được kẹp bằng một thiết bị kẹp hay bằng ê-tô thì vững chắc hơn giữ bằng tay.
 - ▶ **Luôn luôn đợi cho máy hoàn toàn ngừng hẳn trước khi đặt xuống.** Dụng cụ lắp vào máy có thể bị kẹt chặt dẫn đến việc dụng cụ điện cầm tay bị mất điều khiển.
 - ▶ **Trước khi tiến hành bất cứ công việc gì với máy (vd., bảo dưỡng, thay dụng cụ v.v.) cũng như khi vận chuyển hay lưu kho, tháo pin ra khỏi dụng cụ điện.** Có nguy cơ gây thương tích khi vô tình làm kích hoạt công tắc Tắt/Mở.
 - ▶ **Không được tháo pin ra.** Nguy cơ bị chập mạch.
-  **Bảo vệ pin không để bị làm nóng, ví dụ, chống để lâu dài dưới ánh nắng gay gắt, lửa, nước, và sự ẩm ướt.** Sự nguy hiểm của nổ.
- ▶ **Trong trường hợp pin bị hỏng hay sử dụng sai cách, hơi nước có thể bốc ra. Hãy làm cho thông thoáng khí và trong trường hợp bị đau phải nhờ y tế chữa trị.** Hơi nước có thể gây ngứa hệ hô hấp.

- ▶ **Chỉ sử dụng pin cùng chung với dụng cụ điện cầm tay Bosch của bạn.** Chỉ riêng với cách này đã bảo vệ cho pin không bị nguy hiểm do quá tải.
- ▶ **Pin có thể bị hư hại bởi các vật dụng nhọn như đinh hay tuốc-nơ-vít hoặc bởi các tác động lực từ bên ngoài.** Nó có thể dẫn tới đoản mạch nội bộ và làm pin bị cháy, bốc khói, phát nổ hoặc quá nóng.

Mô Tả Sản Phẩm và Đặc Tính Kỹ Thuật



Đọc kỹ mọi cảnh báo an toàn và mọi hướng dẫn. Không tuân thủ mọi cảnh báo và hướng dẫn được liệt kê dưới đây có thể bị điện giật, gây cháy và/hay bị thương tật nghiêm trọng.

Dành sử dụng cho

Máy được thiết kế để cưa gỗ, nhựa mù, kim loại và vật liệu xây dựng khi còn nằm dính chặt trên vật liệu gia công. Máy thích hợp để cắt các đường thẳng và cong. Phải tuân thủ theo loại lưỡi cưa đã được khuyến nghị.

Đèn của dụng cụ điện này được xác định dùng để chiếu sáng khu vực làm việc trực tiếp của dụng cụ này và không thích hợp để chiếu sáng phòng trong hộ gia đình.

Biểu trưng của sản phẩm

Sự đánh số các biểu trưng của sản phẩm là để tham khảo hình minh họa của máy trên trang hình ảnh.

- 1 Lưỡi cưa*
- 2 Đế đĩa
- 3 Thanh chạy
- 4 Cẩn mở khóa lưỡi cưa
- 5 Móc cài đa dụng
- 6 Công tắc xoay để du đưa (3 cấp)
- 7 Núm xoay chọn trước tần suất nhíp chạy
- 8 Công tắc Tắt/Mở
- 9 Núm nhả khóa của công tắc Tắt/Mở
- 10 Pin
- 11 Đèn báo sự kiểm soát dòng điện nạp
- 12 Núm dành cho đèn báo sự kiểm soát dòng điện nạp
- 13 Núm mở khóa để điều chỉnh tám nền
- 14 Đèn "PowerLight" (LED kép)
- 15 Tay nắm (bề mặt nắm cách điện)
- 16 Núm tháo pin
- 17 Bộ pin
- 18 Bộ phận gắn lưỡi cưa

*Tùy theo từng quốc gia mà có các lưỡi cưa khác nhau trong phạm vi giao hàng.

Thông số kỹ thuật

Cửa kiểm	GSA 18V-32	
Mã số máy	3 601 FA8 1..	
Các phép đo với ốc quy/ không ốc quy		
- Chiều dài	mm	482/482
- Chiều rộng	mm	101/101
- Chiều cao	mm	218/198
Điện thế danh định	V=	18
Tốc độ khoảng chạy không tải n_0	spm	0–2500
Phần lắp dụng cụ	SDS	
Nhịp chạy	mm	32
Công suất cắt, tối đa		
- với gỗ	mm	230
- với thép không hợp kim	mm	20
- Đường kính ống	mm	175
Trọng lượng theo Qui trình EPTA-Procedure 01:2014 (chuẩn EPTA 01:2014)	kg	3,9
Nhiệt độ môi trường cho phép		
- trong quá trình sạc điện	°C	0... +45
- khi vận hành* và khi lưu trữ	°C	-20... +50
Pin được khuyến dùng	GBA 18V.. GBA 18V... W	
Thiết bị nạp được giới thiệu	AL 18.. GAL 3680 GAL 18... W	

* hiệu suất giới hạn ở nhiệt độ $0\text{ }^\circ\text{C}$

Các dữ kiện kỹ thuật được xác định cho pin được giao cùng hàng hóa cung cấp.

Sự lắp vào

Nạp điện pin

► **Chỉ sử dụng bộ sạc được đề cập trong dữ liệu kỹ thuật.** Chỉ những bộ sạc này phù hợp cho dụng cụ điện cầm tay của bạn có sử dụng pin Li-Ion.

Ghi Chú: Pin giao kèm máy chỉ được nạp điện một phần. Để đảm bảo pin có đầy đủ điện dung, nạp điện hoàn toàn cho pin bằng bộ nạp điện pin trước khi bạn sử dụng dụng cụ điện cho lần đầu tiên.

Pin Lithium ion có thể nạp điện bất cứ lúc nào mà vẫn không làm giảm tuổi thọ của pin. Sự làm gián đoạn qui trình nạp điện không làm cho pin bị hư hỏng.

Pin Li-on được bảo vệ ngăn sự phóng điện quá lớn nhờ vào "Bộ phận Điện tử Bảo vệ Pin (Electronic Cell Protection = ECP)". Khi pin hết điện, máy tự tắt nhờ vào thiết bị bảo vệ mạch: Dụng cụ đang lắp trong máy dừng quay hẳn.

► **Không được tiếp tục nhấn vào công tắc Tắt/Mở sau khi máy đã tự động tắt.** Có thể làm cho pin hỏng.

Tuân thủ các chú thích dành cho việc tháo bỏ.

Tháo Pin (xem hình A)

Pin **10** được trang bị hai lớp khóa để ngăn sao cho pin không bị rơi ra ngoài khi vô ý nhấn phải nút tháo pin **16**. Cứ khi nào pin còn được lắp trong dụng cụ điện, nó vẫn được giữ nguyên vị trí nhờ vào một lò xo.

Để tháo pin **10**, nhấn nút tháo pin **16** và kéo pin ra khỏi dụng cụ điện hướng ra phía sau. **Không dùng cường lực.**

Đèn Báo Sự Kiểm Soát Dòng Điện Nạp

Ba đèn LED màu xanh lá của bộ nạp điện pin báo hiệu sự kiểm soát sự nạp điện pin **11** báo hiệu tình trạng nạp điện của pin **10**. Vì lý do an toàn, ta chỉ có thể kiểm tra trạng thái của tình trạng nạp điện khi máy đã ngừng hoạt động hoàn toàn.

Nhấn nút **12** để hiển thị tình trạng nạp điện. Điều này cũng thực hiện được khi pin **10** đã được tháo ra.

LED	Điện dung
Sáng liên tục 3 x màu xanh lá	$\geq 2/3$
Sáng liên tục 2 x màu xanh lá	$\geq 1/3$
Sáng liên tục 1 x màu xanh lá	$< 1/3$
Chớp sáng 1 x màu xanh lá	Sự Dự Phòng

Khi không có đèn LED nào sáng lên sau khi nhấn nút **12**, nếu vậy thì pin đã bị hỏng và phải được thay thế.

Trong quá trình nạp điện pin, ba đèn LED xanh lá chớp rồi tắt theo tuần tự. Pin đã được nạp đầy điện khi ba đèn LED xanh lá sáng lên liên tục. Ba đèn LED xanh lá lại tắt lần nữa khoảng 5 phút sau khi pin đã được nạp đầy.

Thay/Lắp Lưỡi Cưa

► **Trước khi thực hiện bất cứ việc gì trên dụng cụ điện, hãy tháo pin ra.**

► **Khi lắp lưỡi cưa, hãy mang găng bảo vệ tay vào.** Có nguy cơ bị thương tích khi chạm vào lưỡi cưa.

► **Khi thay lưỡi cưa, bảo đảm rằng bộ phận gắn lưỡi cưa không bị mụn cạnh vật liệu bám vào, v. d. vỏ bào gỗ hay kim loại.**

Chọn Lưỡi Cưa

Chỉ sử dụng lưỡi cưa thích hợp với vật liệu đang được gia công.

Ta có thể tham khảo bảng miêu tả tổng quát các loại lưỡi cưa được khuyến nghị ở phần đầu các hướng dẫn sử dụng này. Chỉ sử dụng "các lưỡi cưa có chuôi phổ thông" $\frac{1}{2}$. Lưỡi cưa không nên dài hơn mức cần thiết đối với ý định cắt.

44 | Tiếng Việt

Hãy sử dụng lưỡi cưa mỏng để cắt các đường cong hẹp.

Lắp Lưỡi Cưa Vào (xem hình B)

Hãy vận cần mở khóa lưỡi cưa **4** khoảng 60° theo hướng mũi tên và giữ chặt. Hãy đẩy lưỡi cưa **1** vào khe lưỡi cưa **18**. Thả cần mở khóa lưỡi cưa **4** ra.

► **Kiểm tra lưỡi cưa có được bắt chắc vào.** Lưỡi cưa gắn vào còn lỏng có thể rơi ra và gây thương tích.

Đối với loại công việc cụ thể nào đó, lưỡi cưa **1** cũng có thể xoay 180° (răng cưa hướng lên trên) và lắp vào lại lần nữa.

Tháo Lưỡi Cưa (xem hình B)

Hãy vận cần mở khóa lưỡi cưa **4** khoảng 60° theo hướng mũi tên và giữ chặt. Hãy kéo lưỡi cưa **1** ra khỏi khe lưỡi cưa **18**. Thả cần mở khóa lưỡi cưa **4** ra.

Hút Dăm/Bụi

► Mạt bụi từ các vật liệu được sơn phủ ngoài có chứa chì trên một số loại gỗ, khoáng vật và kim loại có thể gây nguy hại đến sức khoẻ con người. Đụng chạm hay hít thở các bụi này có thể làm người sử dụng hay đứng gần bị dị ứng và/hoặc gây nhiễm trùng hệ hô hấp.

Một số mạt bụi cụ thể, ví dụ như bụi gỗ sồi hay đậu, được xem là chất gây ung thư, đặc biệt là có liên quan đến các chất phụ gia dùng xử lý gỗ (chất cromat, chất bảo quản gỗ). Có thể chỉ nên để thợ chuyên môn gia công các loại vật liệu có chứa amiăng.

- Tạo không khí thông thoáng nơi làm việc.
- Khuyến nghị nên mang mặt nạ phòng độc có bộ lọc cấp P2.

Tuân thủ các qui định của quốc gia bạn liên quan đến loại vật liệu gia công.

► **Tránh không để rác tích tụ tại nơi làm việc.** Rác có thể dễ dàng bắt lửa.

Vận Hành

Bắt Đầu Vận Hành

Lắp Pin Vào (xem hình A)

► **Chỉ sử dụng pin Li-ion của chính hãng Bosch với điện thế được ghi trên nhãn máy của dụng cụ điện cầm tay của bạn.** Sử dụng các loại pin khác có thể dẫn đến thương tật và gây ra cháy.

Hãy gài ắc quy đã sạc **10** vào bộ pin **17**, cho đến khi nghe tiếng vào khớp.

Điều Khiển/Chỉnh Đặt Trước Tần Suất Nhịp Chạy

Đối với các vật liệu cứng (ví dụ thép) khởi động trơn tru cho phép cắt chính xác.

Tăng hay giảm lực áp lên công tắc Tắt/Mở **8** cho phép điều khiển tần suất nhịp chạy mà không thông qua từng giai đoạn khi máy đang hoạt động.

Lực bóp nhẹ lên công tắc Tắt/Mở **8** tạo ra tần suất nhịp chạy thấp. Tăng lực bóp cũng là làm tăng tần suất nhịp chạy.

Với núm xoay chọn trước tần suất nhịp chạy **7** tần suất nhịp chạy có thể chỉnh đặt trước và thay đổi trong lúc đang hoạt động.

- 1: Tần suất nhịp chạy thấp
- 6: Tần suất nhịp chạy cao

Bộ kiểm soát sự ổn định điện tử giữ cho tần suất nhịp chạy hầu như ổn định trong tình trạng có tải cũng như không tải và đảm bảo sự đồng bộ trong hiệu suất vận hành.

Tần suất nhịp chạy cần có tốt nhất tùy thuộc vào loại vật liệu và điều kiện làm việc và có thể xác định thông qua việc chạy thử thực tế.

Khuyến nghị nên làm giảm tần suất nhịp chạy khi lưỡi cưa bắt đầu ăn vào vật liệu cũng như khi cưa nhựa mù hay nhôm.

Chỉnh Đặt Động Tác Xoay

Sự điều chỉnh được động tác xoay vòng cho phép đáp ứng được tốc độ cắt, năng suất cắt và hình dạng cắt đối với vật liệu đang được gia công một cách tốt nhất.

Cấp độ của động tác xoay vòng có thể chỉnh đặt bằng gạt vận **6**, ngay cả khi máy đang hoạt động.

Tắt động tác xoay vòng (cấp độ 0):

Để gia công vật liệu mỏng hay cứng như kim loại tấm hay thép.

Để làm cho cạnh cắt sắc sạch.

Đu đưa cấp độ 1:

Để gia công kim loại màu, gỗ cứng, nhựa mù hoặc vật liệu có độ chặt trung bình.

Đu đưa cấp độ 2:

Để gia công kim loại màu, gỗ cứng, nhựa mù hoặc vật liệu có độ chặt trung bình.

Để gia công các vật liệu mềm, ví dụ như vật liệu xây dựng mềm, vật liệu dùng cách âm, cách nhiệt, gỗ mềm, củi cây.

Bàn Chặn Có Thể Gập Lắc và Co Thụt

Nhờ vào tính dễ chuyển dịch, bàn chặn điều chỉnh được **2** đáp ứng được góc độ ở vị trí cần có trên bề mặt.

Tùy theo loại lưỡi cưa đang được sử dụng và loại ứng dụng, bàn chặn **2** có thể di chuyển theo chiều dọc trong ba nấc. Nhấn nút nhà khóa bàn chặn **13** và đẩy bàn chặn **2** vào vị trí yêu cầu. Nhả nút nhà khóa bàn chặn **13** và kiểm tra xem bàn chặn **2** đã khớp vào chốt chặn chặt chẽ. Đẩy bàn chặn **2** vào vị trí yêu cầu cho đến khi khớp vào chốt chặn chặt chẽ.

Để vệ sinh khe lưỡi cưa **18**, bạn có thể rút hoàn toàn tấm nền **2** khi nút mở khóa được nhấn **11**. Hãy đẩy tấm nền vào khe, cho tới khi vào khớp sau khi vệ sinh.

- ▶ **Không nhấn nút mở khóa 13 trong lúc vận hành.** Bạn có thể mất kiểm soát thông qua dụng cụ điện và có thể bị thương.

Bật Mở và Tắt

Mở công tắc: Nhấn khóa an toàn 9 về phía trước. Hãy nhấn công tắc bật/tắt 8 lên trên và nhấn giữ.

Đế tắt máy: Hãy nhả công tắc bật/tắt 8.

Hướng Dẫn Sử Dụng

- ▶ **Trước khi tiến hành bất cứ công việc gì với máy (vd., bảo dưỡng, thay dụng cụ v.v..) cũng như khi vận chuyển hay lưu kho, tháo pin ra khỏi dụng cụ điện.** Có nguy cơ gây thương tích khi vô tình làm kích hoạt công tắc Tắt/Mở.
- ▶ **Khi cửa các loại vật liệu xây dựng nhẹ, tuân thủ các điều luật đã được qui định cũng như các khuyến cáo của nhà cung cấp vật liệu.**
- ▶ **Hãy đảm bảo rằng lưỡi cửa luôn dài hơn đường kính của phôi gia công cần xử lý, hãy xem hình F. Có nguy cơ dội ngược lại.**

Kiểm tra gỗ, ván ép, vật liệu xây dựng v. v.. để tìm xem có các đồ vật lạ như đinh, vít hay các vật tương tự, và sau đó lấy chúng ra, nếu thấy cần.

Cho máy hoạt động và đưa thẳng vào vật gia công. Đặt bàn chặn 2 lên trên bề mặt gia công và cửa xuyên qua vật liệu với lực áp máy và gia tải đồng đều. Sau khi hoàn tất công đoạn gia công, tắt máy. Nếu giả như lưỡi cửa bị kẹt chặt, tắt máy ngay lập tức. Mở rộng miệng cắt vừa đủ bằng một dụng cụ thích hợp và kéo máy ra.

Máy bị quá dơ có thể làm cho sự hoạt động bị trục trặc. Vì vậy, không nên cửa vật liệu tạo nhiều bụi ở mặt dưới vật liệu hoặc cao quá đầu.

Cắt Xọc (xem hình E)

- ▶ **Qui trình cắt xọc chỉ thích hợp để xử lý các loại vật liệu mềm như gỗ, thạch cao tấm hay vật liệu tương tự! Không được áp dụng qui trình cắt xọc với vật liệu là kim loại!**
- ▶ **Chỉ sử dụng các lưỡi cửa có chiều dài tối đa 100 mm để cửa cắt chìm.** Với các lưỡi cửa dài hơn tấm nên không thể đặt tấm nền và dụng cụ điện không được dừng khi cần.

Đặt máy với cạnh mũi cửa bàn chặn 2 tựa lên trên vật gia công và mở máy. Đối với dụng cụ điện có bộ phận kiểm soát tốc độ nhíp chạy, chỉnh đặt ở tốc độ nhíp chạy tối đa. Khiến dẫn dụng cụ điện thật chắc tay xuống vật gia công và để cho lưỡi cửa từ từ đâm xọc vào vật gia công.

Ngay sau khi bàn chặn 2 nằm hoàn toàn trên bề mặt của vật liệu, tiếp tục cửa dọc theo đường cửa yêu cầu. Đối với loại công việc cụ thể nào đó, lưỡi cửa 1 cũng có thể lắp vào và xoay 180° và ta có thể khiến dẫn cửa kiểm một cách thích hợp theo cách ngược lại.

Cắt Bằng Mặt (xem hình F)

Sử dụng lưỡi cửa lưỡng kim dần hồi, ta có thể cửa dứt vật vẫn còn cắm dính trên tường (vd. vật liệu xây dựng nằm nhô ra như là ống nước, v. v..) ngang bằng với mặt tường.

Đặt lưỡi cửa trực tiếp dựa lên trên tường và tạo lực đè ngang lên dụng cụ cho đến khi bàn chặn tựa vào tường. Cho dụng cụ điện hoạt động và cửa xuyên ngang vật gia công, giữ đều tay áp lực ngang.

Móc Cài Đa Dụng (xem hình D)

Dụng cụ điện của bạn được trang bị một móc cài đa dụng 5 dùng để treo máy, vd. treo trên thang v. v.. Đơn giản chỉ cần bật móc cài đa dụng 5 về vị trí cần đặt.

- ▶ **Hãy đảm bảo rằng lưỡi cửa được bảo vệ chống chạm vô tình khi dụng cụ điện được gắn.** Việc này bao gồm nguy hiểm gây thương tích.

Gập móc cài đa dụng 5 trở lại khi bạn chuẩn bị tiếp tục vận hành máy.

Dung dịch làm mát/Bôi trơn

Khi cửa kim loại vật liệu gia công bị nóng lên, do đó; nên bôi dung dịch làm mát/bôi trơn dọc theo đường cắt.

Các Khuyến Nghị về Cách Bảo Dưỡng Tốt Nhất cho Pin

Chỉ bảo quản pin trong tầm nhiệt độ nằm giữa -20 °C và 50 °C. Ví dụ, không để pin trong xe ô tô vào mùa hè.

Thỉnh thoảng làm sạch các khe thông gió của pin bằng cách dùng một cái cọ khô, mềm và sạch.

Sự giảm thời gian hoạt động một cách rõ rệt sau khi nạp điện chỉ cho thấy rằng pin đã được sử dụng và phải được thay.

Tuân thủ các chú thích dành cho việc thải bỏ.

Bảo Dưỡng và Bảo Quản

Bảo Dưỡng Và Làm Sạch

- ▶ **Trước khi tiến hành bất cứ công việc gì với máy (vd., bảo dưỡng, thay dụng cụ v.v..) cũng như khi vận chuyển hay lưu kho, tháo pin ra khỏi dụng cụ điện.** Có nguy cơ gây thương tích khi vô tình làm kích hoạt công tắc Tắt/Mở.
- ▶ **Để được an toàn và máy hoạt động đúng chức năng, luôn luôn giữ máy và các khe thông gió được sạch.**

Làm sạch phần lắp ráp lưỡi cửa bằng hơi nén hay bằng một cọ mềm tùy ý. Tháo lưỡi cửa ra khỏi dụng cụ điện để thực hiện việc làm sạch này. Tra lại dầu nhờn thích hợp vào phần lắp ráp lưỡi cửa để đảm bảo bộ phận này hoạt động được tốt.

46 | Tiếng Việt**Dịch Vụ Sau Khi Bán và Dịch Vụ Ứng Dụng**

Bộ phận phục vụ hàng sau khi bán của chúng tôi sẽ trả lời các câu hỏi liên quan đến việc bảo trì và sửa chữa các sản phẩm cũng như các phụ tùng thay thế của bạn. Hình ảnh chi tiết và thông tin phụ tùng thay thế có thể tìm hiểu theo địa chỉ dưới đây:

www.bosch-pt.com

Bộ phận dịch vụ ứng dụng Bosch sẽ hân hạnh trả lời các câu hỏi liên quan đến các sản phẩm của chúng tôi và linh kiện của chúng.

Trong tất cả các phản hồi và đơn đặt phụ tùng, xin vui lòng luôn luôn nhập số hàng hóa 10 chữ số theo nhãn của hàng hóa.

Việt Nam

Công ty Trách Nhiệm Hữu Hạn Robert Bosch Việt Nam, PT/SVN
Tầng 10, 194 Golden Building
473 Điện Biên Phủ
Phường 25, Quận Bình Thạnh
Thành Phố Hồ Chí Minh
Việt Nam
Tel.: (08) 6258 3690 Ext 413
Fax: (08) 6258 3692
hieul.lagia@vn.bosch.com
www.bosch-pt.com

Vận Chuyển

Pin có chứa lithium-ion là đối tượng phải tuân theo các quy định của Pháp Luật về Hàng Hóa Nguy Hiểm. Người sử dụng có thể vận chuyển pin bằng đường bộ mà không cần có thêm yêu cầu nào khác. Khi được vận chuyển thông qua bên thứ ba (vd. vận chuyển bằng đường hàng không hay đại lý giao nhận), phải tuân theo các yêu cầu đặc biệt về đóng gói và dán nhãn. Để chuẩn bị cho món hàng sẽ được gửi đi, cần tham khảo ý kiến của chuyên gia về vật liệu nguy hiểm.

Chỉ gửi pin đi khi vỏ ngoài không bị hư hỏng. Dán băng keo hay che kín các điểm tiếp xúc để hở và đóng gói pin cách sao cho pin không thể xô dịch khi nằm trong bao bì được.

Cũng xin vui lòng tuân theo quy định chi tiết có thể có của mỗi quốc gia.

Thải bỏ

Máy, pin nạp điện lại được, phụ kiện và bao bì phải được phân loại để tái chế theo hướng thân thiện với môi trường.

Không được vứt bỏ dụng cụ điện, pin/pin nạp điện lại được vào chung với rác sinh hoạt!

Pin lốc/pin:**Li-ion:**

Xin vui lòng tuân thủ theo thông tin dưới đây "Vận Chuyển", trang 46.

Được quyền thay đổi nội dung mà không phải thông báo trước.