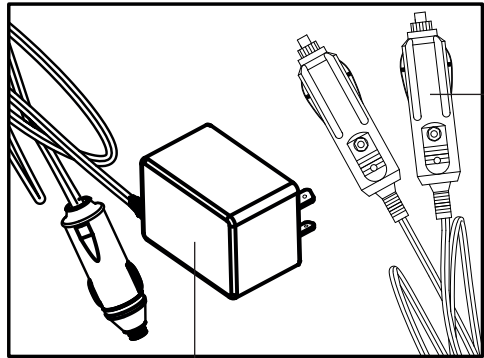


Art. 550.1710



550.1711

550.1710-R022P

550.1710-R013P

550.1710-R015P

550.1710-R014P

550.1710-R016P

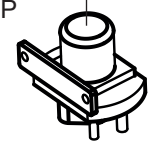
550.1710-R012P

550.1710-R011P

550.1710-R010P

550.1710-R009P

550.1710-R008P



550.1710-R001P

550.1710-R002P

550.1710-R003P

550.1710-R017P

550.1710-R018P

550.1710-R021P

550.1710-R020P

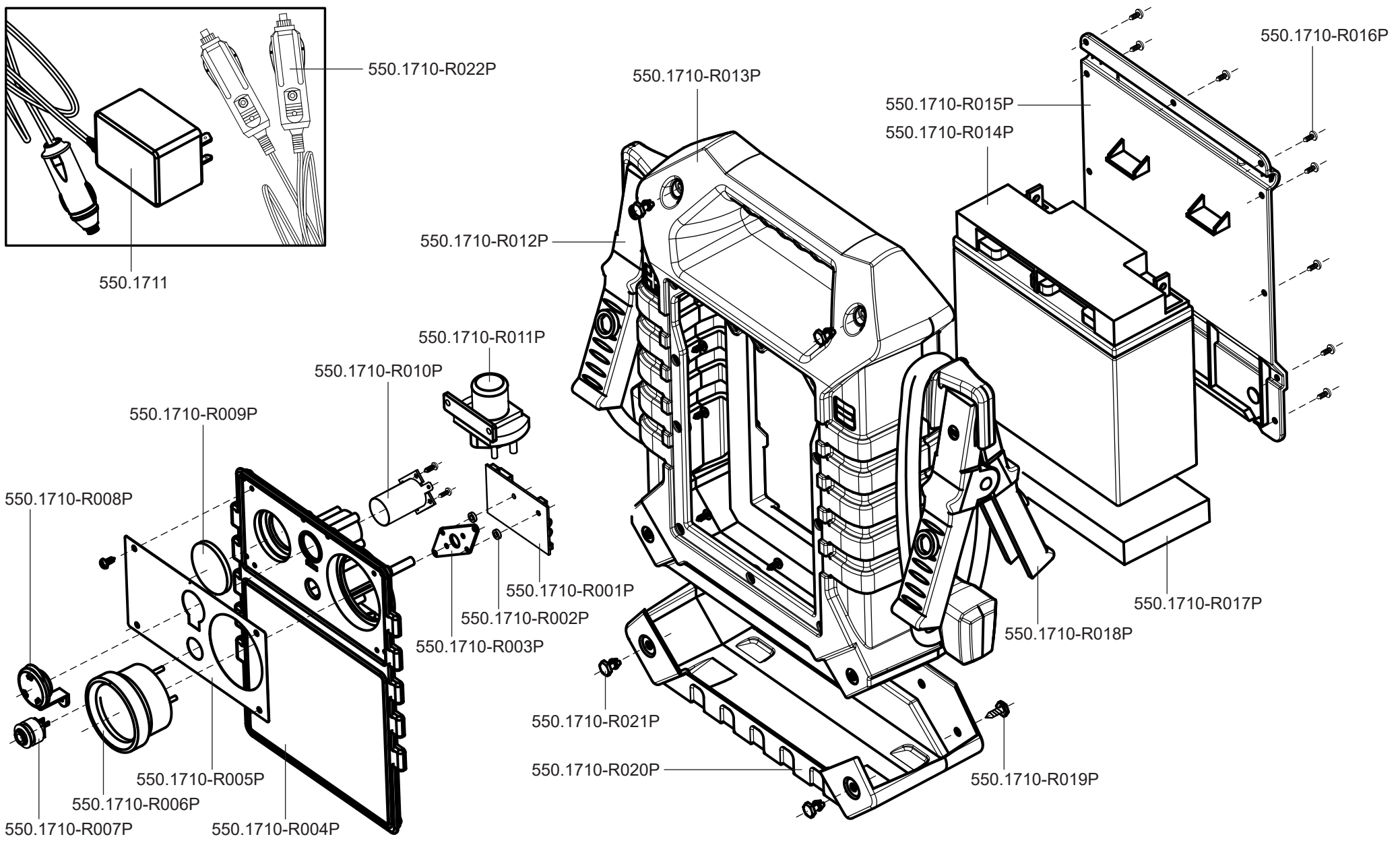
550.1710-R019P

550.1710-R005P

550.1710-R006P

550.1710-R007P

550.1710-R004P



Art. 550.1710

Art.-Nr.	Description	Beschreibung	Menge Qty.
550.1711	Charger for 550.1710	Ladegerät für 550.1710	1
550.1710-R001P	PCB	Platine	1
550.1710-R002P	Spacer	Abstandsring	2
550.1710-R003P	Voltmeter fixer	Befestigung Spannungsmesser	1
550.1710-R004P	Front panel	Frontplatte	1
550.1710-R005P	Panel Label	Panelaufkleber	1
550.1710-R006P	Voltmeter	Spannungsmesser	1
550.1710-R007P	Voltmeter switch	Voltmeter-Schalter	1
550.1710-R008P	Cigarette socket cover	Zigarettenanzünderabdeckung	1
550.1710-R009P	Cover	Blende	1
550.1710-R010P	Cigarette socket	Zigarettenanzünderbuchse	1
550.1710-R011P	Solenoid	Solenoid	1

Art.-Nr.	Description	Beschreibung	Menge Qty.
550.1710-R012P	Cable and red clamp	Kabel und Klemme Rot	1
550.1710-R013P	Main housing	Gehäuse	1
550.1710-R014P	Battery,	Batterie	1
550.1710-R015P	Back housing	Hinteres Gehäuse	1
550.1710-R016P	Screw	Gehäusechraube	18
550.1710-R017P	Backup panel	Bodenplatte	1
550.1710-R018P	cabl and black clamp	Kabel und Klemme Schwarz	1
550.1710-R019P	Screw	Schraube	2
550.1710-R020P	Bottom panel	Bodenabdeckung	1
550.1710-R021P	Decoration screw	Schraube	2
550.1710-R022P	Cigarette cable	Zigarettenanzünder Ladekabel	1