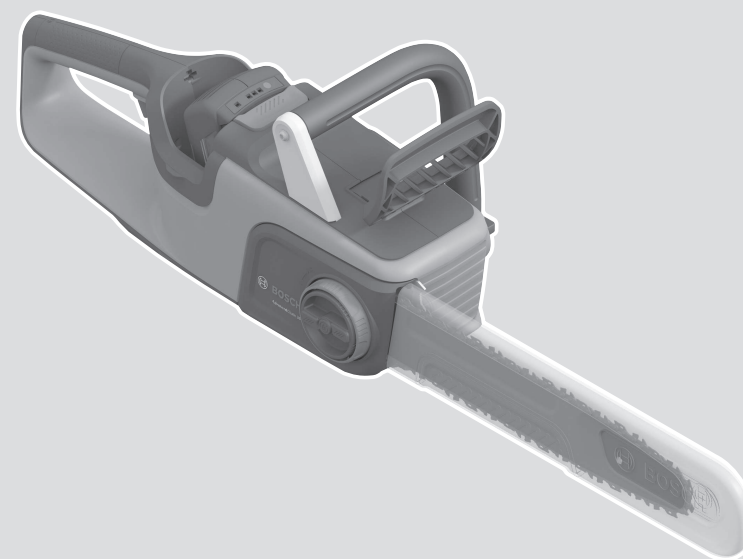




# AdvancedChain 36V-35-40



Robert Bosch Power Tools GmbH  
70538 Stuttgart  
GERMANY

[www.bosch-pt.com](http://www.bosch-pt.com)

F 016 L94 633 (2023.05) 0 / 23



F 016 L94 633



en Original instructions





# English

## Safety Notes

### Explanation of symbols



Read instruction manual.



General hazard safety alert.



Do not expose to rain.



Always hold a chain saw firmly with both hands.



Pay attention to the kickback of the chainsaw and avoid contact with the tip of the chain bar.



Wear eye, ear and head protection.



WARNING: Disconnect battery before maintenance.

### General Power Tool Safety Warnings

**⚠ WARNING** Read all safety warnings, instructions, illustrations and specifications provided with this power tool. Failure to follow all instructions listed below may result in electric shock, fire and/or serious injury.

**Save all warnings and instructions for future reference.**

The term "power tool" in the warnings refers to your mains-operated (corded) power tool or battery-operated (cordless) power tool.

#### Work area safety

- ▶ **Keep work area clean and well lit.** Cluttered or dark areas invite accidents.
- ▶ **Do not operate power tools in explosive atmospheres, such as in the presence of flammable liquids, gases or dust.** Power tools create sparks which may ignite the dust or fumes.
- ▶ **Keep children and bystanders away while operating a power tool.** Distractions can cause you to lose control.

#### Electrical safety

- ▶ **Power tool plugs must match the outlet. Never modify the plug in any way. Do not use any adapter plugs with**

**earthed (grounded) power tools.** Unmodified plugs and matching outlets will reduce risk of electric shock.

- ▶ **Avoid body contact with earthed or grounded surfaces, such as pipes, radiators, ranges and refrigerators.** There is an increased risk of electric shock if your body is earthed or grounded.
- ▶ **Do not expose power tools to rain or wet conditions.** Water entering a power tool will increase the risk of electric shock.
- ▶ **Do not abuse the cord. Never use the cord for carrying, pulling or unplugging the power tool. Keep cord away from heat, oil, sharp edges or moving parts.** Damaged or entangled cords increase the risk of electric shock.
- ▶ **When operating a power tool outdoors, use an extension cord suitable for outdoor use.** Use of a cord suitable for outdoor use reduces the risk of electric shock.
- ▶ **If operating a power tool in a damp location is unavoidable, use a residual current device (RCD) protected supply.** Use of an RCD reduces the risk of electric shock.

#### Personal safety

- ▶ **Stay alert, watch what you are doing and use common sense when operating a power tool. Do not use a power tool while you are tired or under the influence of drugs, alcohol or medication.** A moment of inattention while operating power tools may result in serious personal injury.
- ▶ **Use personal protective equipment. Always wear eye protection.** Protective equipment such as a dust mask, non-skid safety shoes, hard hat or hearing protection used for appropriate conditions will reduce personal injuries.
- ▶ **Prevent unintentional starting. Ensure the switch is in the off-position before connecting to power source and/or battery pack, picking up or carrying the tool.** Carrying power tools with your finger on the switch or energising power tools that have the switch on invites accidents.
- ▶ **Remove any adjusting key or wrench before turning the power tool on.** A wrench or a key left attached to a rotating part of the power tool may result in personal injury.
- ▶ **Do not overreach. Keep proper footing and balance at all times.** This enables better control of the power tool in unexpected situations.
- ▶ **Dress properly. Do not wear loose clothing or jewellery. Keep your hair and clothing away from moving parts.** Loose clothes, jewellery or long hair can be caught in moving parts.
- ▶ **If devices are provided for the connection of dust extraction and collection facilities, ensure these are connected and properly used.** Use of dust collection can reduce dust-related hazards.
- ▶ **Do not let familiarity gained from frequent use of tools allow you to become complacent and ignore tool**

**safety principles.** A careless action can cause severe injury within a fraction of a second.

#### Power tool use and care

- ▶ **Do not force the power tool. Use the correct power tool for your application.** The correct power tool will do the job better and safer at the rate for which it was designed.
- ▶ **Do not use the power tool if the switch does not turn it on and off.** Any power tool that cannot be controlled with the switch is dangerous and must be repaired.
- ▶ **Disconnect the plug from the power source and/or remove the battery pack, if detachable, from the power tool before making any adjustments, changing accessories, or storing power tools.** Such preventive safety measures reduce the risk of starting the power tool accidentally.
- ▶ **Store idle power tools out of the reach of children and do not allow persons unfamiliar with the power tool or these instructions to operate the power tool.** Power tools are dangerous in the hands of untrained users.
- ▶ **Maintain power tools and accessories. Check for misalignment or binding of moving parts, breakage of parts and any other condition that may affect the power tool's operation. If damaged, have the power tool repaired before use.** Many accidents are caused by poorly maintained power tools.
- ▶ **Keep cutting tools sharp and clean.** Properly maintained cutting tools with sharp cutting edges are less likely to bind and are easier to control.
- ▶ **Use the power tool, accessories and tool bits etc. in accordance with these instructions, taking into account the working conditions and the work to be performed.** Use of the power tool for operations different from those intended could result in a hazardous situation.
- ▶ **Keep handles and grasping surfaces dry, clean and free from oil and grease.** Slippery handles and grasping surfaces do not allow for safe handling and control of the tool in unexpected situations.

#### Battery tool use and care

- ▶ **Recharge only with the charger specified by the manufacturer.** A charger that is suitable for one type of battery pack may create a risk of fire when used with another battery pack.
- ▶ **Use power tools only with specifically designated battery packs.** Use of any other battery packs may create a risk of injury and fire.
- ▶ **When battery pack is not in use, keep it away from other metal objects, like paper clips, coins, keys, nails, screws or other small metal objects, that can make a connection from one terminal to another.** Shorting the battery terminals together may cause burns or a fire.
- ▶ **Under abusive conditions, liquid may be ejected from the battery; avoid contact. If contact accidentally occurs, flush with water. If liquid contacts eyes, addi-**

**tionally seek medical help.** Liquid ejected from the battery may cause irritation or burns.

- ▶ **Do not use a battery pack or tool that is damaged or modified.** Damaged or modified batteries may exhibit unpredictable behaviour resulting in fire, explosion or risk of injury.
- ▶ **Do not expose a battery pack or tool to fire or excessive temperature.** Exposure to fire or temperature above 130 °C may cause explosion.
- ▶ **Follow all charging instructions and do not charge the battery pack or tool outside the temperature range specified in the instructions.** Charging improperly or at temperatures outside the specified range may damage the battery and increase the risk of fire.

#### Service

- ▶ **Have your power tool serviced by a qualified repair person using only identical replacement parts.** This will ensure that the safety of the power tool is maintained.
- ▶ **Never service damaged battery packs.** Service of battery packs should only be performed by the manufacturer or authorized service providers.

#### General Chain Saw Safety Warnings

- ▶ **Keep all parts of the body away from the saw chain when the chain saw is operating. Before you start the chain saw, make sure the saw chain is not contacting anything.** A moment of inattention while operating chain saws may cause entanglement of your clothing or body with the saw chain.
- ▶ **Always hold the chain saw with your right hand on the rear handle and your left hand on the front handle.** Holding the chain saw with a reversed hand configuration increases the risk of personal injury and should never be done.
- ▶ **Hold the chain saw by insulated gripping surfaces only, because the saw chain may contact hidden wiring.** Saw chains contacting a "live" wire may make exposed metal parts of the chain saw "live" and could give the operator an electric shock.
- ▶ **Wear eye protection. Further protective equipment for hearing, head, hands, legs and feet is recommended.** Adequate protective equipment will reduce personal injury from flying debris or accidental contact with the saw chain.
- ▶ **Do not operate a chain saw in a tree, on a ladder, from a rooftop, or any unstable support.** Operation of a chain saw in this manner could result in serious personal injury.
- ▶ **Always keep proper footing and operate the chain saw only when standing on fixed, secure and level surface.** Slippery or unstable surfaces may cause a loss of balance or control of the chain saw.
- ▶ **When cutting a limb that is under tension be alert for spring back.** When the tension in the wood fibres is released the spring loaded limb may strike the operator and/or throw the chain saw out of control.

- ▶ **Use extreme caution when cutting brush and saplings.** The slender material may catch the saw chain and be whipped toward you or pull you off balance.
- ▶ **Carry the chain saw by the front handle with the chain saw switched off and away from your body. When transporting or storing the chain saw, always fit the guide bar cover.** Proper handling of the chain saw will reduce the likelihood of accidental contact with the moving saw chain.
- ▶ **Follow instructions for lubricating, chain tensioning and changing the bar and chain.** Improperly tensioned or lubricated chain may either break or increase the chance for kickback.
- ▶ **Cut wood only. Do not use chain saw for purposes not intended. For example: do not use chain saw for cutting metal, plastic, masonry or non-wood building materials.** Use of the chain saw for operations different than intended could result in a hazardous situation.
- ▶ **This chain saw is not intended for tree felling.** Use of the chain saw for operations different than intended could result in serious injury to the operator or bystanders.
- ▶ **Follow all instructions when clearing jammed material, storing or servicing the chain saw. Make sure the switch is off and the battery pack is removed.** Unexpected actuation of the chain saw while clearing jammed material or servicing may result in serious personal injury.
- ▶ **Causes and operator prevention of kickback:**
  - Kickback may occur when the nose or tip of the guide bar touches an object, or when the wood closes in and pinches the saw chain in the cut.
  - Tip contact in some cases may cause a sudden reverse reaction, kicking the guide bar up and back towards the operator.
  - Pinching the saw chain along the top of the guide bar may push the guide bar rapidly back towards the operator.
  - Either of these reactions may cause you to lose control of the saw which could result in serious personal injury. Do not rely exclusively upon the safety devices built into your saw. As a chain saw user, you should take several steps to keep your cutting jobs free from accident or injury. Kickback is the result of chain saw misuse and/or incorrect operating procedures or conditions and can be avoided by taking proper precautions as given below:
- ▶ **Maintain a firm grip, with thumbs and fingers encircling the chain saw handles, with both hands on the saw and position your body and arm to allow you to resist kickback forces.** Kickback forces can be controlled by the operator, if proper precautions are taken. Do not let go of the chain saw.
- ▶ **Do not overreach and do not cut above shoulder height.** This helps prevent unintended tip contact and enables better control of the chain saw in unexpected situations.

- ▶ **Only use replacement guide bars and saw chains specified by the manufacturer.** Incorrect replacement guide bars and saw chains may cause chain breakage and/or kickback.
- ▶ **Follow the manufacturer's sharpening and maintenance instructions for the saw chain.** Decreasing the depth gauge height can lead to increased kickback.

### Additional safety warnings

- ▶ **This appliance is not intended for use by persons (including children) with reduced physical, sensory or mental capabilities, or lack of experience and knowledge, unless they have been given supervision or instruction concerning use of the appliance by a person responsible for their safety.** Children should be supervised to ensure that they do not play with the appliance.
- ▶ **When working with the tool, always hold it firmly with both hands and provide for a secure stance.** The power tool is guided more secure with both hands.
- ▶ **Always ensure all handles and guards are fitted when using the machine.** Never attempt to use an incomplete machine or one fitted with an unauthorized modification.
- ▶ Always operate the power tool with a properly aligned and tensioned chain. Using the power tool with a misaligned or incorrectly tensioned chain can result in chain breakage, kickback and/or injury.
- ▶ Always make sure that the chain is in the correct position. An incorrectly positioned chain can result in chain breakage, kickback and/or injury.

### Safety Instructions and Recommendations for Optimal Handling of the Battery

- ▶ **Ensure the product is switched off before inserting the battery.** Inserting the battery into a product that has the switch on can cause accidents.
- ▶ **Use only Bosch batteries intended specifically for this product.** Use of any other batteries may create a risk of injury and fire.
- ▶ **Do not open the battery.** There is a risk of short-circuiting.



**Protect the battery against heat (e.g., against continuous intense sunlight), fire, water, and moisture.** There is a risk of explosion.



- ▶ **When not using the machine, keep the battery not in use away from paper clips, coins, keys, nails, screws, or other small metal objects that could cause bridging of the terminals.** Shorting the battery terminals together may cause burns or a fire.
- ▶ **In case of damage and improper use of the battery pack, vapours may be emitted.** Ventilate the area and seek medical help in case of complaints. The vapours can irritate the respiratory system.
- ▶ **Only use the battery with products from the manufacturer.** This is the only way in which you can protect the battery against dangerous overload.










► **The battery can be damaged by pointed objects such as nails or screwdrivers or by force applied externally.**

An internal short circuit may occur, causing the battery to burn, smoke, explode or overheat.

- **Do not short-circuit the battery.** There is a risk of explosion.
- Protect the battery against moisture and water.
- Store the product and battery only within a temperature range between  $-20\text{ }^{\circ}\text{C}$  and  $50\text{ }^{\circ}\text{C}$ . As an example, do not leave the battery in the car in summer.
- Occasionally clean the venting slots of the battery using a soft, clean and dry brush.

### Symbols

The following symbols are important for reading and understanding the original instructions. Please take note of the symbols and their meaning. The correct interpretation of the symbols will help you to use the product in a better and safer manner.

Symbol	Meaning
	Keep children, bystanders and pets away.
	Movement direction
	Reaction direction
	Weight
	Switching on
	Switching off
	Permitted action
	Prohibited action
CLICK!	Audible noise
	Accessories/Spare parts

### Technical Data

Cordless chain saw		AdvancedChain 36V-35-40
Article number		<b>3 600 HB8 6..</b>
Rated voltage	V	36

## Product description and specifications



**Read all safety warnings and all instructions.** Failure to follow the safety warnings and instructions may result in electric shock, fire and/or serious injury.

Please observe the illustrations at the end of this operating manual.

### Intended Use

The power tool is used for sawing trees and tree trunks near the ground. Cuts can be sawed with or across the grain.

This power tool is not suitable for sawing mineral materials.

This power tool is not intended for felling trees.

### Product Features (see figure A)

The numbering of the product features refers to the diagram of the power tool on the graphics page.

- (1) Rear handle
- (2) On/Off switch
- (3) Drive sprocket
- (4) Front handle
- (5) Hand guard/Activation lever for kickback brake
- (6) Serial number
- (7) Oil outlet
- (8) Guide pin for chain bar
- (9) Fastening bolt
- (10) Metal spiked bumper
- (11) Symbol for rotation and cutting direction
- (12) Chain bar
- (13) Saw chain
- (14) Affixed tensioning wheel
- (15) Chain-tensioning ring
- (16) Clamping knob
- (17) Cover
- (18) Chain guard
- (19) Oil filler cap
- (20) Lock-off button for On/Off switch
- (21) Battery
- (22) Battery unlocking button
- (23) Battery charge-control indicator
- (24) Charger
- (25) Oil viewing window

Cordless chain saw		AdvancedChain 36V-35-40
Chain speed (no-load)	m/s	14
Chain bar length	cm	35
Saw chain type		Oregon AdvanceCut
Saw chain pitch		3/8" low profile
Drive link thickness	mm	1.1 (0.043")
Amount of drive links		52
Max. cutting diameter	cm	31
Oil reservoir capacity	ml	150
Automatic chain oiler		●
Toolless chain tensioning (SDS)		●
Nose sprocket		●
Kickback brake		●
Run-down brake		●
Metal spiked bumper		●
Weight	kg	2.9
Serial number		See serial number (type plate) on the machine
Recommended ambient temperature during charging	°C	0... +35
Permitted ambient temperature during storage	°C	-20... +50
Battery type		GBA 36V 2.0 Ah, 4.0 Ah, 6.0 Ah

## Noise/Vibration Information

### AdvancedChain 36V-35-40

Noise emission values determined according to **EN 62841-4-1**.

Typically the A-weighted noise levels of the product are:

– Sound pressure level	dB(A)	<b>96</b>
– Sound power level	dB(A)	<b>102</b>
– Uncertainty K	dB	<b>2.0</b>

### Wear hearing protection!

Vibrational values (vector sum of three directions) determined according to **EN 62841-4-1**.

– Vibration emission value $a_h$	$m/s^2$	<b>5.0</b>
– Uncertainty K	$m/s^2$	<b>1.5</b>

That the declared vibration total value(s) and the declared noise emission value(s) have been measured in accordance with a standard test method and may be used for comparing one machine with another.

That the declared vibration total value(s) and the declared noise emission value(s) may also be used in a preliminary assessment of exposure.

That the vibration and noise emissions during actual use of the machine can differ from the declared total value depending on the ways in which the machine is used; and of the need to identify safety measures to protect the operator that are based on an estimation of exposure in the actual conditions of use (taking account of all parts of the operating cycle such as the times when the machine is switched off and when it is running idle in addition to the trigger time).

## Assembly

### For Your Safety

- ▶ **Warning! Switch off and remove battery from power tool before adjusting or cleaning.**
- ▶ **Caution! Do not touch the rotating chain.**
- ▶ **Do not operate the chain saw near other people, children or animals. Do not operate the chain saw after drinking alcohol or under the influence of intoxicating drugs or medication.**

## Mounting and Tensioning the Saw Chain (see figures B1 – B4)

- ▶ **Do not use any tools for assembly.**
- ▶ **Check the chain tension regularly during use.** Using the chainsaw with a misaligned or incorrectly tensioned chain can result in chain breakage, kickback and/or injury.
- ▶ **Upon initial operation, new chains can lengthen considerably.**
- ▶ **Avoid tensioning the chain if it is hot, as this will cause the chain to become overtensioned and fit too tightly against the chain bar when it cools down.**
  - Place the chain saw on any suitable flat surface.
  - With the chain bar off the tool, make sure that the affixed tensioning wheel (14) on the chain bar has been fully rotated anticlockwise.
  - Slide the saw chain (13) in the slot around the chain bar (12).
  - Ensure the saw chain is in the correct running direction by comparing the saw chain with the rotation symbol (11).
  - Fit the chain links around the drive sprocket (3) and mount the chain bar (12) onto the fastening bolt (9).
  - Check if all parts are seated properly and hold the chain bar and the chain in this position.
  - Then rotate the affixed tensioning wheel (14) clockwise until the chain is partly tensioned and will stay mounted to the chain saw.
  - Attach the cover (17) and rotate the clamping knob (16) clockwise until the cover is partly secured.
  - Turn the chain-tensioning ring (15) clockwise until the correct chain tension is reached. When adjusting with the chain-tensioning ring (15), make sure to hold the clamping knob (16) to prevent it from turning and clamping too early.
  - The saw chain (13) is correctly tensioned when it can be raised approx. 6–7 mm from the chain bar in the centre. This should be done by using one hand to raise the saw chain against the weight of the machine.
  - Once the correct tension is reached, hold the chain-tensioning ring (15) and rotate the clamping knob (16) clockwise until it is firmly secured.
  - If the chain is tensioned too tightly, unscrew the clamping knob (16) and repeat the steps for tensioning.
  - The locking mechanism of the clamping system prevents the chain from loosening. If the chain-tensioning ring (15) is hard to rotate, loosen the clamping knob (16) by turning it anticlockwise.

## Saw Chain Lubrication (see figure C)

**Note:** The chain saw is not supplied filled with oil. It is essential to fill with oil before use. Operating the chain saw without chain oil or when the oil level is below the minimum mark will result in damage to the chain saw.

Chain life and cutting capacity depend on optimum lubrication. Therefore, the chain is automatically lubricated with chain oil during operation via the oil outlet (7).

Filling the oil reservoir:

- Set chain saw on any suitable surface with the oil filler cap (19) facing upward.
- Clean area around the oil filler cap (19) with a cloth and unscrew the cap.
- Add Bosch biodegradable chain saw oil until the oil level can be viewed through the oil tank opening (25). Take care when filling to avoid dirt or debris from entering the oil tank. Screw on oil filler cap (19) again and tighten fully.

**Note:** It is important to use only readily biodegradable chain lubricants (according to RAL-UZ 48) to avoid damage to the chain saw. Never use recycled/old oil. Use of non approved oil will invalidate the warranty.

**Note:** The oil filter is embedded inside the oil tank. Contact the Bosch service centre for cleaning or troubleshooting.

**Note:** It is strongly recommended to use Bosch Biodegradable chain oil. This can be seen in the accessories section.

**Note:** Oil becomes denser at lower temperatures which decreases the flow rate of oil.

## Starting Operation

### Inserting/removing the battery (see figure D)

**Note:** Using unsuitable batteries can lead to malfunctions or damage the machine.

Insert the charged battery (21). Make sure that the battery is fully fitted.

To remove the battery (21) from the machine, press the battery unlocking button (22) and pull the battery out.

### Charging the Battery

- ▶ **Pay attention to the mains voltage.** The voltage of the power source must match the voltage specified on the rating plate of the charger.

The battery is equipped with temperature monitoring that allows charging only in the temperature range between 0 °C and 35 °C. In this manner, a high battery service life is achieved.

**Note:** The battery is supplied partially charged. To ensure full battery capacity, completely charge the battery in the battery charger before using for the first time.

The lithium-ion battery can be charged at any time without reducing its service life. Interrupting the charging procedure does not cause damage to the battery.

The “Electronic Cell Protection (ECP)” protects the lithium-ion battery against deep discharging. When the battery is empty, the product is switched off by means of a protective circuit. The product no longer operates.

**Do not continue to press the On/Off switch after an automatic shut-off of the product.** The battery could become damaged.



Observe the notes for disposal of the battery.

## Operation

The saw chain is automatically lubricated with chain oil during operation via the oil outlet (7).

The chain saw is not supplied filled with oil.

Be sure to fill the chain saw with chain oil before using it.

It is important to use only biodegradable chain lubricants

(according to RAL-UZ 48) to avoid damage to the chain saw.

The recommended Bosch biodegradable chain saw oil can be found in the accessories.

### Filling the oil reservoir: (see figure C)

- Set the chain saw on any suitable surface with the oil filler cap (19) facing upward.
- Clean the area around the oil filler cap (19) with a cloth and unscrew the cap.
- Add Bosch biodegradable chain saw oil until the oil level can be viewed through the oil tank opening (25). You can check the oil level through the viewing window (25) during operation. When the minimum level is reached, top up with new oil.

### Switching On and Off (see figure E1)

- ▶ **Pull the hand guard/activation lever for the kickback brake (5) from position ② to position ① towards the front handle (4). If the hand guard/activation lever for the kickback brake (5) has not been moved, then the kickback brake has not been deactivated before use and the chain saw will not start.**
- ▶ **Always push the hand guard/activation lever for the kickback brake forward to the deactivated position after each use.**
- Remove the chain guard (18).

- Hold the chain saw as shown in figure E2.
- Pull the activation lever for the kickback brake (5) backwards to the front handle.
- To **start** the machine, **first** push the lock-off button for the On/Off switch (20) and **then** press the On/Off switch (2) and keep it pressed. When the machine is running, the lock-off button can be released again.
- To **switch off** the power tool, release the On/Off switch (2).
- The **kickback brake** is a safety mechanism activated by the wrist through the front hand guard (5) when kickback occurs. The chain stops immediately. This reduces the risk of kickback injury. Try to avoid kickback.
- Periodically push the activation lever for the kickback brake (5) forward during operation to test the function of the kickback brake. Stop operation immediately if the chain saw does not stop immediately.

**Note:** Do not stop the chain saw after sawing by actuating the kickback brake (5).

### Checking the Lubrication (see figure E3)

- Tilt the chain saw so that the chain bar is 20 cm away from a sheet of paper lying on the ground.
- Switch on the chain saw and let it run for approx. 1 minute until oil splashes can be seen on the sheet of paper to confirm that oil is being pulled through the automatic lubrication system.

**Note:** Operating the chain saw without chain oil or when the oil level is below the minimum mark will result in damage to the chain saw.

**Note:** Oil becomes denser at lower temperatures, which decreases the flow rate of oil.

**Note:** Saw chain life and cutting capacity depend on optimum lubrication.

## Troubleshooting

The following chart lists problem symptoms, possible causes and corrective action, if your power tool does not operate properly. If these do not identify and correct the problem, contact your service agent.

**Warning: Switch off and remove the battery prior to any troubleshooting.**

Problem	Possible Cause	Corrective Measure
Chain saw fails to operate	Kickback brake is activated	see figure E1
	Battery discharged	Recharge battery; also see "Battery Charging"
	Battery not fully connected	Ensure both locking levels are engaged
	Motor protector has activated	Allow motor to cool
	Battery too hot/cold	Allow to cool/warm
	Power tool defective	Contact Service Agent
Chain saw operates intermittently	Battery discharged	Recharge battery; also see "Battery Charging"
	Power tool defective	Contact Service Agent
Saw chain dry	No oil in reservoir	Refill oil
	Oil outlet (7) clogged	Clean oil outlet (7)
	Oil filter clogged	Clean oil filter / Contact Service Agent

Problem	Possible Cause	Corrective Measure
Saw chain/guide bar hot	No oil in reservoir	Refill oil
	Chain tension too high	Tension saw chain
	Dull saw chain	Replace saw chain
	Oil passage clogged	Contact Service Agent
Chain saw rips, vibrates, does not saw properly	Saw chain tension too loose	Adjust chain tension
	Dull saw chain	Replace saw chain
	Saw chain worn out	Replace saw chain
	Saw chain teeth are facing in the wrong direction	Reassemble with saw chain in correct direction
	Chain bar damaged or worn	Replace chain bar or contact Bosch Service Centre
Excessive vibrations/noise	Power tool defective	Contact Service Agent
Sawing time per battery charge too low	Too much friction, due to lack of lubricant	Ensure chain lubrication (see "Saw chain lubrication")
	Saw chain needs cleaning	Clean saw chain
	Poor sawing technique	see "Working with the chain saw"
	Battery not fully charged	Recharge battery; also see "Battery Charging"
	Battery out of the allowable temperature range	Allow battery to warm naturally to room temperature (within battery operating temperature 0–45 °C)
	Chain tension too high	Tension saw chain
	Dull saw chain	Replace saw chain
The saw chain is running slow	Battery discharged	Recharge battery; also see "Battery Charging"
	Battery out of the allowable temperature range	Allow battery to warm naturally to room temperature (within battery operating temperature 0–45 °C)
	Battery is too hot	Allow to cool

### Battery and charger

Problem	Possible Cause	Corrective Measure
Flashing red battery charge indicator	Battery not (properly) inserted	Properly insert battery in charger
	Battery contacts contaminated	Clean the battery contacts (e. g. by inserting and removing the battery several times) or replace the battery
	Battery defective	Replace the battery
Battery charge indicators do not light up	Mains plug of battery charger not plugged in (properly)	Insert mains plug (fully) into the socket outlet
Battery will not charge	Socket outlet, mains cable or battery charger defective	Check the mains voltage; have the battery charger checked by an authorised after-sales service agent for Bosch power tools
	Battery and charger defective	Replace battery and charger
	Battery defective	Replace battery
	Charger defective	Replace charger

## Maintenance and Service

### Maintenance and Cleaning

- ▶ **Before any work on the garden product itself (e. g. maintenance, tool change, etc.) as well as during transport and storage, remove the battery from the garden product.** There is danger of injury when unintentionally actuating the On/Off switch.
- Always fit the chain guard **(18)** on the chain bar **(12)** when the chain saw is not being used to prevent injury.
- For safe and proper working, always keep the power tool and its ventilation slots clean.
- Do not use water, solvents or polishes.
- Clean the chain and chain bar before storing the product for an extended period of time to prevent the parts from seizing.
- Remove the SDS cover **(17)**, chain bar **(12)** and saw chain **(13)** and clean these parts with a brush to remove oil, sap and dust residue, especially from the saw blade groove.
- Use a clean cloth to carefully remove debris from the oil outlet **(7)** and drive sprocket **(3)**. Make sure that no debris enters the oil outlet **(7)**, as this can cause blockages and lubrication problems.
- Carry out the required maintenance before use.
- Regularly check the chain saw for obvious defects such as loose, dislodged or damaged saw chain and chain bar, loose fixings and worn or damaged components.
- Do not modify this product. Unauthorized modifications may impair the safety of your product and may result in increased noise and vibration.
- Always empty the oil reservoir before storage and refill it before use.
- Store the chain saw in a secure, dry place, out of the reach of children.
- Do not place other objects on the chain saw.

### Replacing and Sharpening the Saw Chain

- The saw chain can become blunt through prolonged use or when coming into contact with objects other than wood.
- A sharp saw chain is required for optimum performance and safety.
- Never sharpen the saw chain yourself unless you have experience with it.
- Replace the saw chain with the Bosch saw chain accessory or have the saw chain professionally resharpened.

### Replacing the Chain Bar

- ▶ **Only replace the chain bar if you fully understand the product and the instructions, otherwise please contact the Bosch Service Centre.**
- If the chain bar is worn, you can mount it upside down to extend its life, or you can replace it.
- Use a hex key to loosen the screw between the chain bar **(12)** and the affixed tensioning wheel **(14)**.

- Once you have flipped or replaced the chain bar, reattach the affixed tensioning wheel **(14)**.

**Note:** Tighten by hand until you feel a slight resistance, then perform 1/8 turn for proper fastening. Overtightening can cause the chain bar to pinch and restrict the path of the rotating saw chain.

### Chain bar

AdvancedChain 36V-35-40

Oregon 144MLEA041

### After-Sales Service and Application Service

Our after-sales service responds to your questions concerning maintenance and repair of your product as well as spare parts. You can find explosion drawings and information on spare parts at: [www.bosch-pt.com](http://www.bosch-pt.com)

The Bosch product use advice team will be happy to help you with any questions about our products and their accessories.

In all correspondence and spare parts orders, please always include the 10-digit article number given on the nameplate of the product.

### Great Britain

Robert Bosch Ltd. (B.S.C.)  
P.O. Box 98  
Broadwater Park  
North Orbital Road  
Denham Uxbridge  
UB 9 5HJ

At [www.bosch-pt.co.uk](http://www.bosch-pt.co.uk) you can order spare parts or arrange the collection of a product in need of servicing or repair.

Tel. Service: (0344) 7360109

E-Mail: [boschservicecentre@bosch.com](mailto:boschservicecentre@bosch.com)

### You can find further service addresses at:

[www.bosch-pt.com/serviceaddresses](http://www.bosch-pt.com/serviceaddresses)

### Transport

The recommended lithium-ion batteries are subject to legislation on the transport of dangerous goods. The user can transport the batteries by road without further requirements.

When shipping by third parties (e.g.: by air transport or forwarding agency), special requirements on packaging and labelling must be observed. For preparation of the item being shipped, consulting an expert for hazardous material is required.

Dispatch battery packs only when the housing is undamaged. Tape or mask off open contacts and pack up the battery in such a manner that it cannot move around in the packaging. Please also observe the possibility of more detailed national regulations.

### Disposal



Products, rechargeable batteries, accessories and packaging are to be recycled in an environmentally friendly manner.



Do not dispose of rechargeable batteries/batteries into household waste!

**Only for EU countries:**

According to European Directive 2012/19/EU on Waste Electrical and Electronic Equipment and its implementation into national law, power tools that are no longer usable must be collected separately and disposed must be collected separately and be disposed of in an environmentally friendly manner. According to European Directive 2006/66/EG rechargeable batteries that are defect or no longer usable must be collected separately and disposed of in an environmentally friendly manner.

If disposed incorrectly, waste electrical and electronic equipment may have harmful effects on the environment and human health, due to the potential presence of hazardous substances.

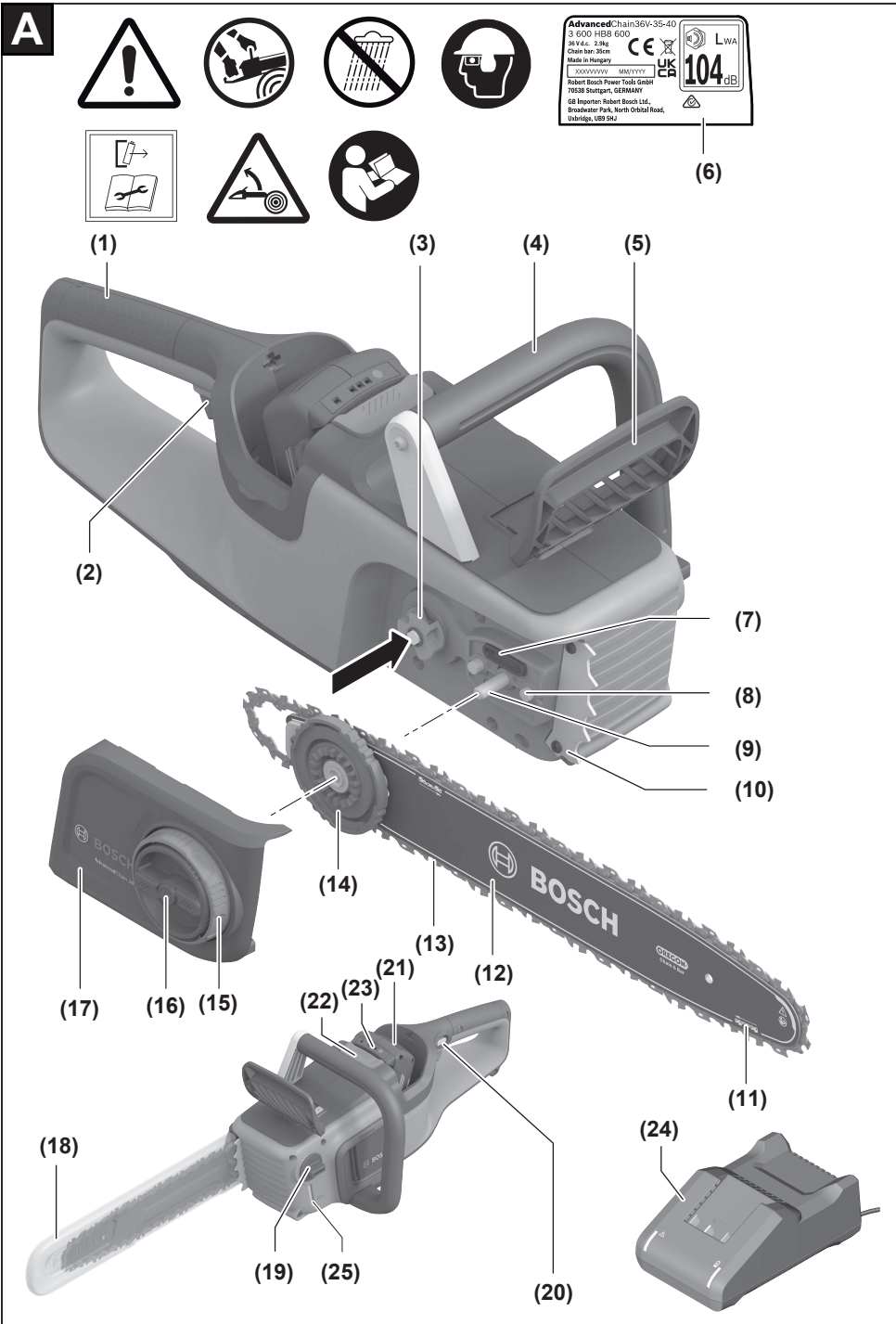
**Rechargeable batteries/batteries:**

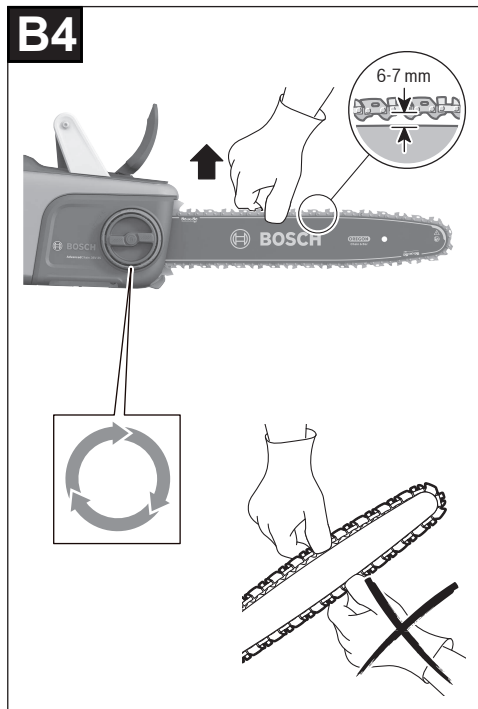
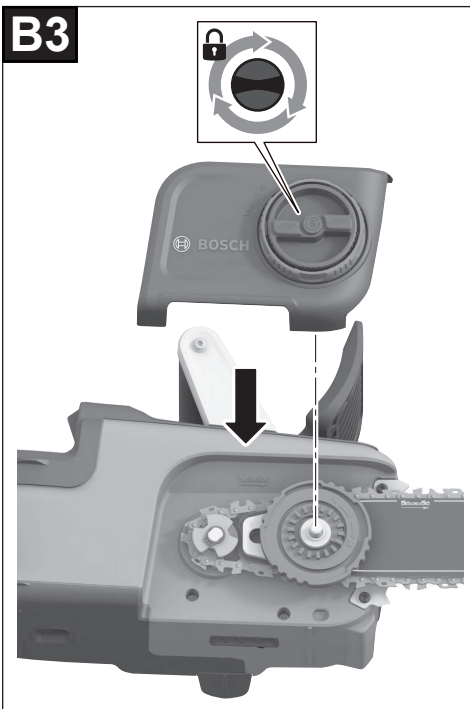
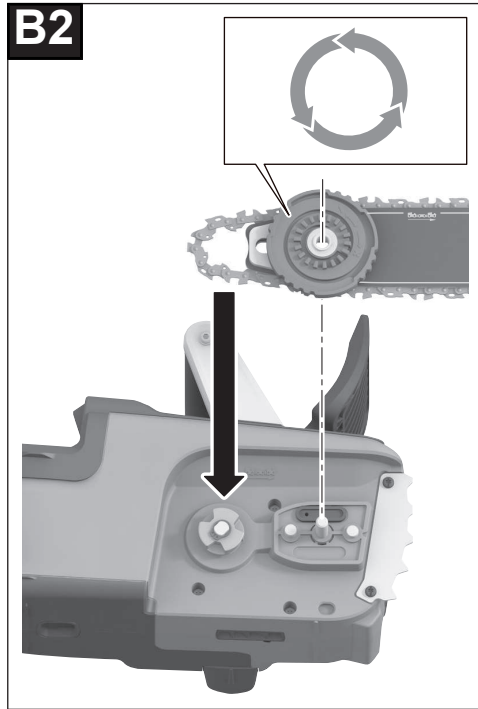
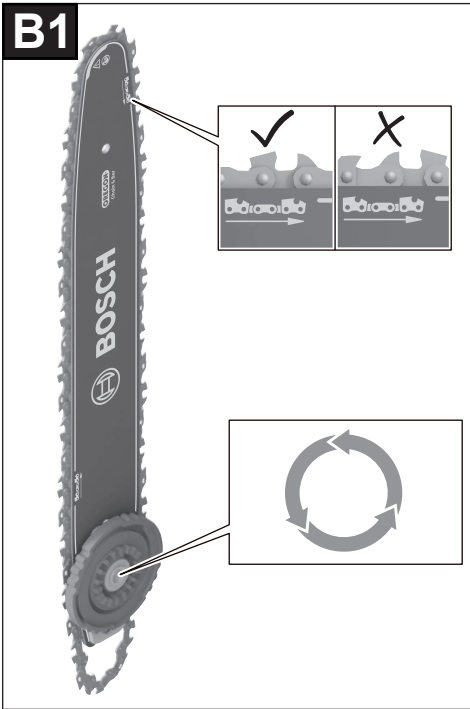
**Li-ion:**

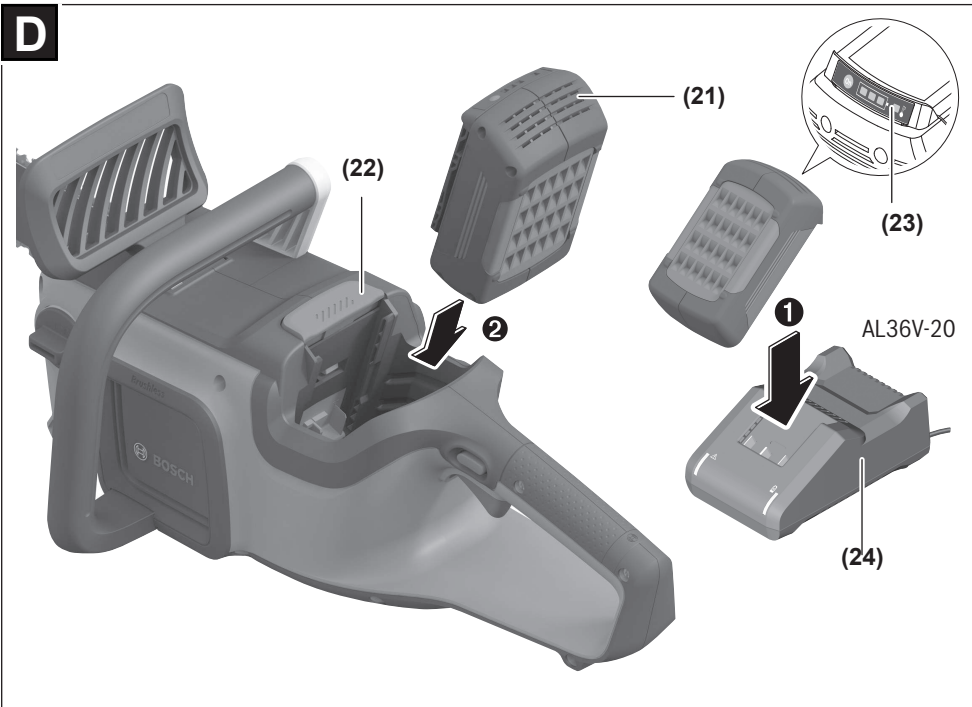
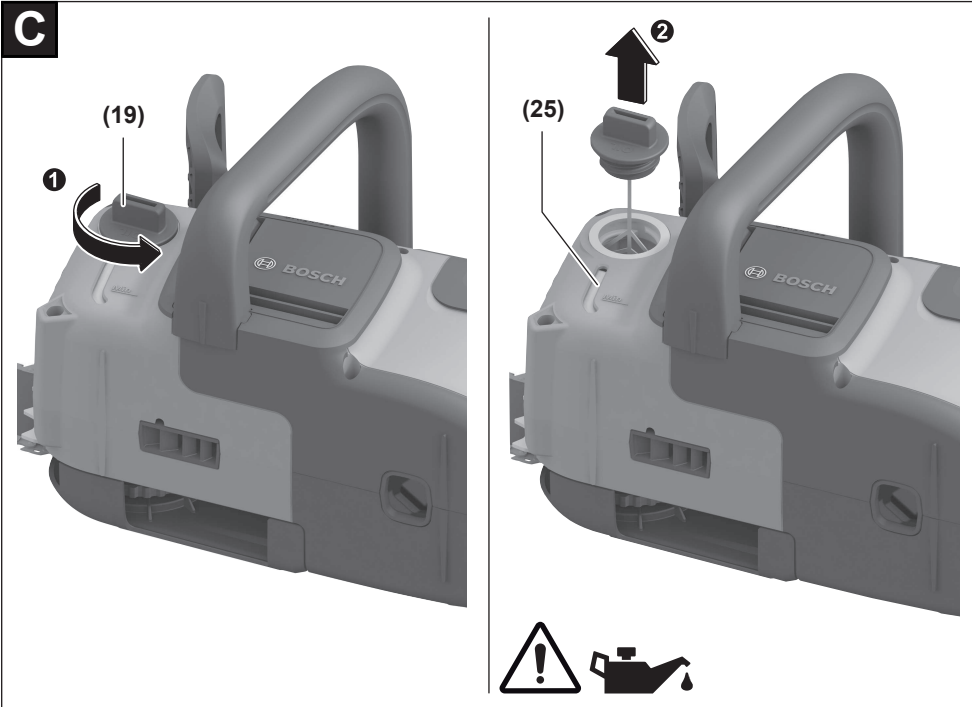
Please refer to the notice in section Transport (see "Transport", page 11).

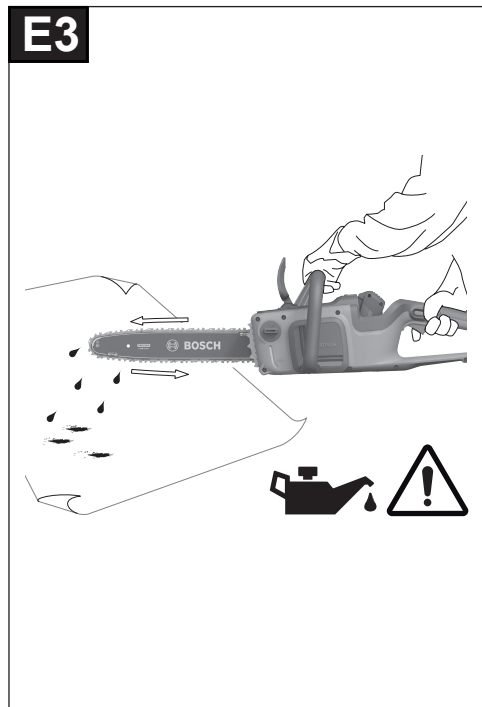
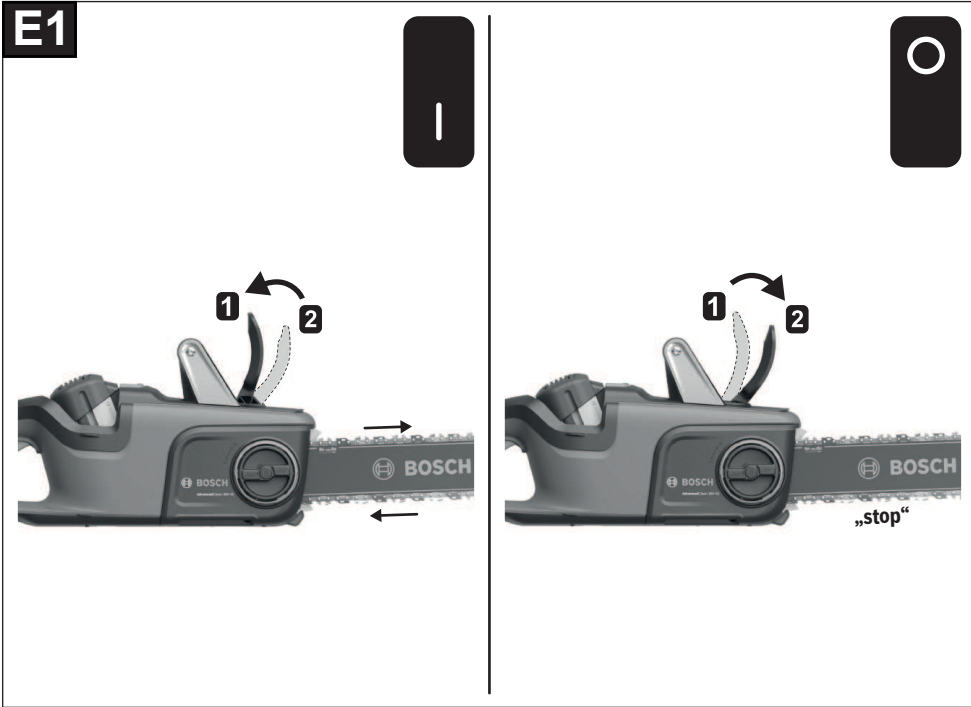
**Only for United Kingdom:**

According to The Waste Electrical and Electronic Equipment Regulations 2013 (SI 2013/3113) (as amended) and the Waste Batteries and Accumulators Regulations 2009 (SI 2009/890) (as amended), products that are no longer usable must be collected separately and disposed of in an environmentally friendly manner.

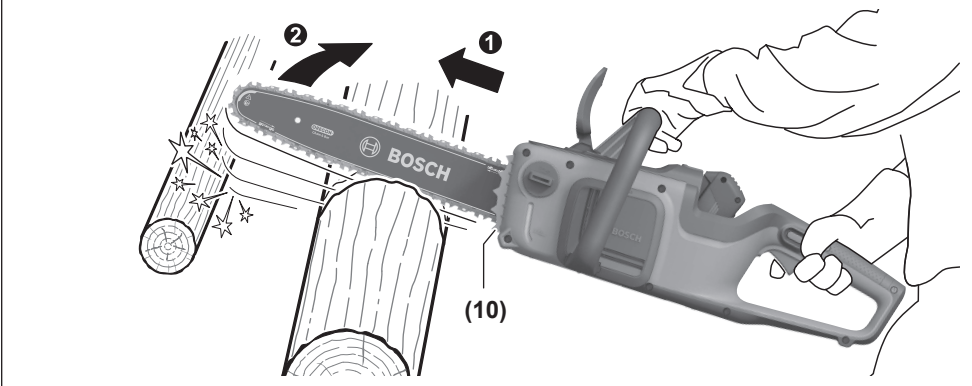
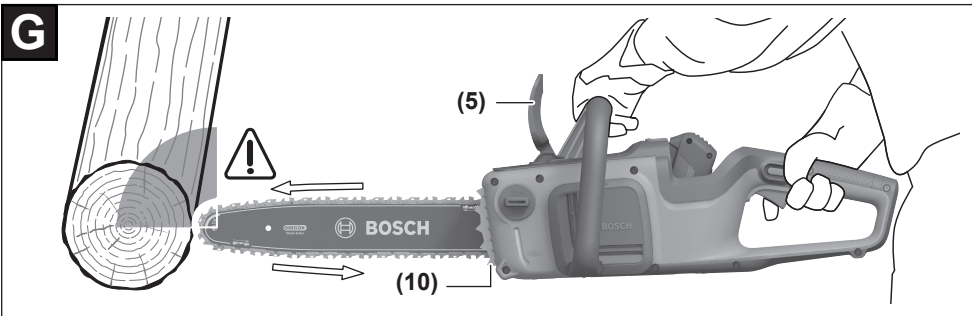
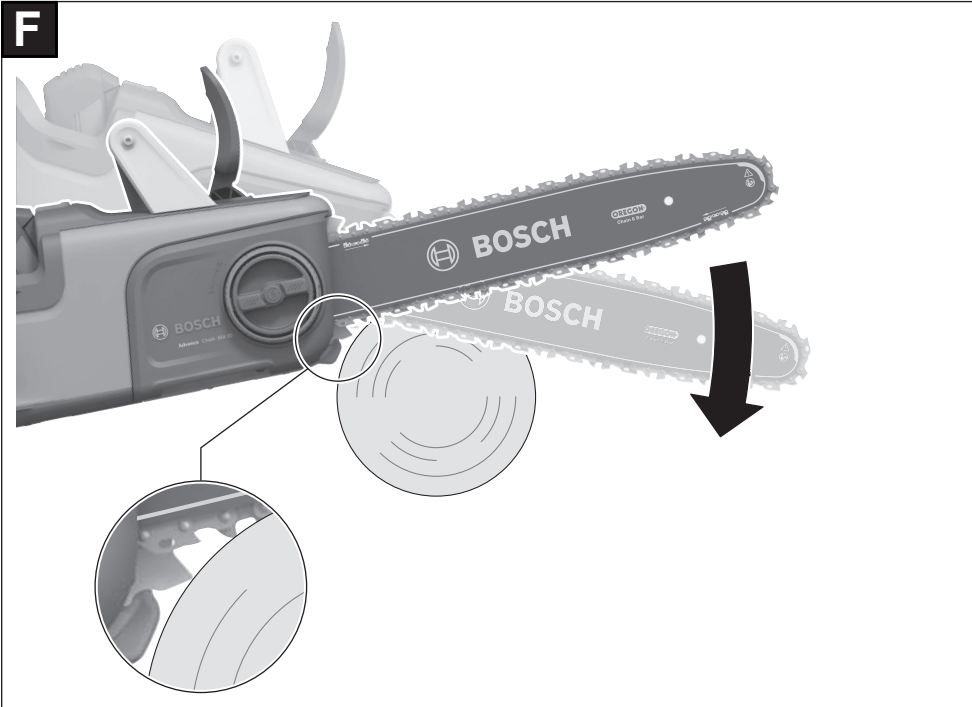


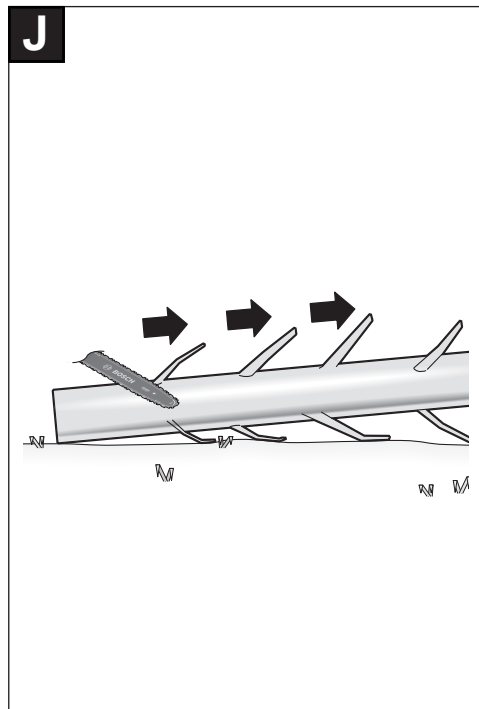
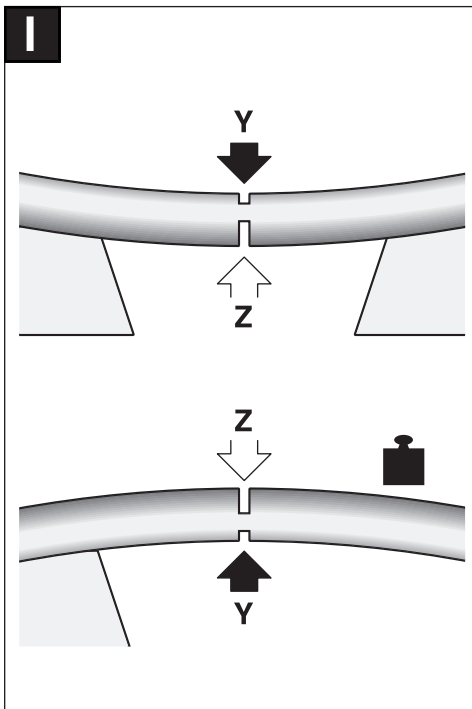
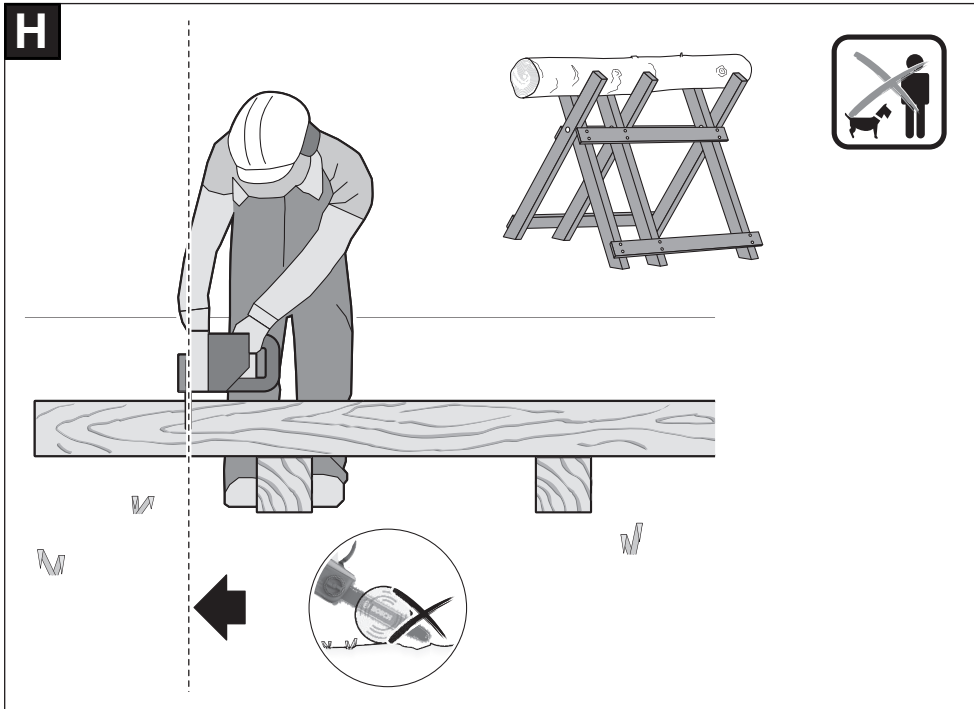




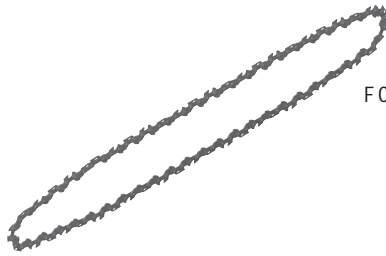








**K**



F 016 800 257



2 607 000 181

## Licenses

### BSD-3-Clause License

#### Copyright (c) 2017, Infineon Technologies AG. All rights reserved.

Redistribution and use in source and binary forms, with or without modification, are permitted provided that the following conditions are met:

- Redistributions of source code must retain the above copyright notice, this list of conditions and the following disclaimer.
- Redistributions in binary form must reproduce the above copyright notice, this list of conditions and the following disclaimer in the documentation and/or other materials provided with the distribution.
- Neither the name of the copyright holders nor the names of its contributors may be used to endorse or promote products derived from this software without specific prior written permission.

THIS SOFTWARE IS PROVIDED BY THE COPYRIGHT HOLDERS AND CONTRIBUTORS "AS IS" AND ANY EXPRESS OR IMPLIED WARRANTIES, INCLUDING, BUT NOT LIMITED TO, THE IMPLIED WARRANTIES OF MERCHANTABILITY AND FITNESS FOR A PARTICULAR PURPOSE ARE DISCLAIMED. IN NO EVENT SHALL THE COPYRIGHT HOLDER OR CONTRIBUTORS BE LIABLE FOR ANY DIRECT, INDIRECT, INCIDENTAL, SPECIAL, EXEMPLARY, OR CONSEQUENTIAL DAMAGES (INCLUDING, BUT NOT LIMITED TO, PROCUREMENT OF SUBSTITUTE GOODS OR SERVICES; LOSS OF USE, DATA, OR PROFITS; OR BUSINESS INTERRUPTION) HOWEVER CAUSED AND ON ANY THEORY OF LIABILITY, WHETHER IN CONTRACT, STRICT LIABILITY, OR TORT (INCLUDING NEGLIGENCE OR OTHERWISE) ARISING IN ANY WAY OUT OF THE USE OF THIS SOFTWARE, EVEN IF ADVISED OF THE POSSIBILITY OF SUCH DAMAGE.

### BSD-3-Clause License

#### Copyright (c) 2016 STMicroelectronics. All rights reserved.

Redistribution and use in source and binary forms, with or without modification, are permitted provided that the following conditions are met:

- Redistributions of source code must retain the above copyright notice, this list of conditions and the following disclaimer. r.
- Redistributions in binary form must reproduce the above copyright notice, this list of conditions and the following disclaimer in the documentation and/or other materials provided with the distribution.
- Neither the name of the copyright holder nor the names of its contributors may be used to endorse or promote products derived from this software without specific prior written permission.

THIS SOFTWARE IS PROVIDED BY THE COPYRIGHT HOLDERS AND CONTRIBUTORS "AS IS" AND ANY EXPRESS OR IMPLIED WARRANTIES, INCLUDING, BUT NOT LIMITED TO, THE IMPLIED WARRANTIES OF MERCHANTABILITY AND FITNESS FOR A PARTICULAR PURPOSE ARE DISCLAIMED. IN NO EVENT SHALL THE COPYRIGHT HOLDER OR CONTRIBUTORS BE LIABLE FOR ANY DIRECT, INDIRECT, INCIDENTAL, SPECIAL, EXEMPLARY, OR CONSEQUENTIAL DAMAGES (INCLUDING, BUT NOT LIMITED TO, PROCUREMENT OF SUBSTITUTE GOODS OR SERVICES; LOSS OF USE, DATA, OR PROFITS; OR BUSINESS INTERRUPTION) HOWEVER CAUSED AND ON ANY THEORY OF LIABILITY, WHETHER IN CONTRACT, STRICT LIABILITY, OR TORT (INCLUDING NEGLIGENCE OR OTHERWISE) ARISING IN ANY WAY OUT OF THE USE OF THIS SOFTWARE, EVEN IF ADVISED OF THE POSSIBILITY OF SUCH DAMAGE.

### Apache 2.0 License

#### Copyright 2019 STMicroelectronics

Licensed under the Apache License, Version 2.0 (the "License"); you may not use this file except in compliance with the License.

You may obtain a copy of the License at <http://www.apache.org/licenses/LICENSE-2.0>

Unless required by applicable law or agreed to in writing, software distributed under the License is distributed on an "AS IS" BASIS, WITHOUT WARRANTIES OR CONDITIONS OF ANY KIND, either express or implied. See the License for the specific language governing permissions and limitations under the License.

#### Copyright 2016-2022 Keith O'Hara

Licensed under the Apache License, Version 2.0 (the "License"); you may not use this file except in compliance with the License.

You may obtain a copy of the License at <http://www.apache.org/licenses/LICENSE-2.0>

Unless required by applicable law or agreed to in writing, software distributed under the License is distributed on an "AS IS" BASIS, WITHOUT WARRANTIES OR CONDITIONS OF ANY KIND, either express or implied. See the License for the specific language governing permissions and limitations under the License.

**Copyright 2009-2020 Arm Limited. All rights reserved.**

Licensed under the Apache License, Version 2.0 (the "License"); you may not use this file except in compliance with the License.

You may obtain a copy of the License at <http://www.apache.org/licenses/LICENSE-2.0>

Unless required by applicable law or agreed to in writing, software distributed under the License is distributed on an "AS IS" BASIS, WITHOUT WARRANTIES OR CONDITIONS OF ANY KIND, either express or implied. See the License for the specific language governing permissions and limitations under the License.

**Apache 2.0 License**

Version 2.0, January 2004

<http://www.apache.org/licenses/>

TERMS AND CONDITIONS FOR USE, REPRODUCTION, AND DISTRIBUTION

**1. Definitions.**

**"License"** shall mean the terms and conditions for use, reproduction, and distribution as defined by Sections 1 through 9 of this document.

**"Licensor"** shall mean the copyright owner or entity authorized by the copyright owner that is granting the License.

**"Legal Entity"** shall mean the union of the acting entity and all other entities that control, are controlled by, or are under common control with that entity. For the purposes of this definition, **"control"** means (i) the power, direct or indirect, to cause the direction or management of such entity, whether by contract or otherwise, or (ii) ownership of fifty percent (50%) or more of the outstanding shares, or (iii) beneficial ownership of such entity.

**"You"** (or **"Your"**) shall mean an individual or Legal Entity exercising permissions granted by this License.

**"Source"** form shall mean the preferred form for making modifications, including but not limited to software source code, documentation source, and configuration files.

**"Object"** form shall mean any form resulting from mechanical transformation or translation of a Source form, including but not limited to compiled object code, generated documentation, and conversions to other media types.

**"Work"** shall mean the work of authorship, whether in Source or Object form, made available under the License, as indicated by a copyright notice that is included in or attached to the work (an example is provided in the Appendix below).

**"Derivative Works"** shall mean any work, whether in Source or Object form, that is based on (or derived from) the Work and for which the editorial revisions, annotations, elaborations, or other modifications represent, as a whole, an original work of authorship. For the purposes of this License, Derivative Works shall not include works that remain separable from, or merely link (or bind by name) to the interfaces of, the Work and Derivative Works thereof.

**"Contribution"** shall mean any work of authorship, including the original version of the Work and any modifications or additions to that Work or Derivative Works thereof, that is intentionally submitted to Licensor for inclusion in the Work by the copyright owner or by an individual or Legal Entity authorized to submit on behalf of the copyright owner. For the purposes of this definition, **"submitted"** means any form of electronic, verbal, or written communication sent to the Licensor or its representatives, including but not limited to communication on electronic mailing lists, source code control systems, and issue tracking systems that are managed by, or on behalf of, the Licensor for the purpose of discussing and improving the Work, but excluding communication that is conspicuously marked or otherwise designated in writing by the copyright owner as **"Not a Contribution."**

**"Contributor"** shall mean Licensor and any individual or Legal Entity on behalf of whom a Contribution has been received by Licensor and subsequently incorporated within the Work.

**2. Grant of Copyright License.** Subject to the terms and conditions of this License, each Contributor hereby grants to You a perpetual, worldwide, non-exclusive, no-charge, royalty-free, irrevocable copyright license to reproduce, prepare Derivative Works of, publicly display, publicly perform, sublicense, and distribute the Work and such Derivative Works in Source or Object form.

**3. Grant of Patent License.** Subject to the terms and conditions of this License, each Contributor hereby grants to You a perpetual, worldwide, non-exclusive, no-charge, royalty-free, irrevocable (except as stated in this section) patent license to make, have made, use, offer to sell, sell, import, and otherwise transfer the Work, where such license applies only to those patent claims licensable by such Contributor that are necessarily infringed by their Contribution(s) alone or by combination of their Contribution(s) with the Work to which such Contribution(s) was submitted. If You institute patent litigation against any entity (including a cross-claim or counterclaim in a lawsuit) alleging that the Work or a Contribution incorporated within the Work

constitutes direct or contributory patent infringement, then any patent licenses granted to You under this License for that Work shall terminate as of the date such litigation is filed.

**4. Redistribution.** You may reproduce and distribute copies of the Work or Derivative Works thereof in any medium, with or without modifications, and in Source or Object form, provided that You meet the following conditions:

- You must give any other recipients of the Work or Derivative Works a copy of this License; and
- You must cause any modified files to carry prominent notices stating that You changed the files; and
- You must retain, in the Source form of any Derivative Works that You distribute, all copyright, patent, trademark, and attribution notices from the Source form of the Work, excluding those notices that do not pertain to any part of the Derivative Works; and
- If the Work includes a "NOTICE" text file as part of its distribution, then any Derivative Works that You distribute must include a readable copy of the attribution notices contained within such NOTICE file, excluding those notices that do not pertain to any part of the Derivative Works, in at least one of the following places: within a NOTICE text file distributed as part of the Derivative Works; within the Source form or documentation, if provided along with the Derivative Works; or, within a display generated by the Derivative Works, if and wherever such third-party notices normally appear. The contents of the NOTICE file are for informational purposes only and do not modify the License.

You may add Your own attribution notices within Derivative Works that You distribute, alongside or as an addendum to the NOTICE text from the Work, provided that such additional attribution notices cannot be construed as modifying the License. You may add Your own copyright statement to Your modifications and may provide additional or different license terms and conditions for use, reproduction, or distribution of Your modifications, or for any such Derivative Works as a whole, provided Your use, reproduction, and distribution of the Work otherwise complies with the conditions stated in this License.

**5. Submission of Contributions.** Unless You explicitly state otherwise, any Contribution intentionally submitted for inclusion in the Work by You to the Licensor shall be under the terms and conditions of this License, without any additional terms or conditions. Notwithstanding the above, nothing herein shall supersede or modify the terms of any separate license agreement you may have executed with Licensor regarding such Contributions.

**6. Trademarks.** This License does not grant permission to use the trade names, trademarks, service marks, or product names of the Licensor, except as required for reasonable and customary use in describing the origin of the Work and reproducing the content of the NOTICE file.

**7. Disclaimer of Warranty.** Unless required by applicable law or agreed to in writing, Licensor provides the Work (and each Contributor provides its Contributions) on an "AS IS" BASIS, WITHOUT WARRANTIES OR CONDITIONS OF ANY KIND, either express or implied, including, without limitation, any warranties or conditions of TITLE, NON-INFRINGEMENT, MERCHANTABILITY, or FITNESS FOR A PARTICULAR PURPOSE. You are solely responsible for determining the appropriateness of using or redistributing the Work and assume any risks associated with Your exercise of permissions under this License.

**8. Limitation of Liability.** In no event and under no legal theory, whether in tort (including negligence), contract, or otherwise, unless required by applicable law (such as deliberate and grossly negligent acts) or agreed to in writing, shall any Contributor be liable to You for damages, including any direct, indirect, special, incidental, or consequential damages of any character arising as a result of this License or out of the use or inability to use the Work (including but not limited to damages for loss of goodwill, work stoppage, computer failure or malfunction, or any and all other commercial damages or losses), even if such Contributor has been advised of the possibility of such damages.

**9. Accepting Warranty or Additional Liability.** While redistributing the Work or Derivative Works thereof, You may choose to offer, and charge a fee for, acceptance of support, warranty, indemnity, or other liability obligations and/or rights consistent with this License. However, in accepting such obligations, You may act only on Your own behalf and on Your sole responsibility, not on behalf of any other Contributor, and only if You agree to indemnify, defend, and hold each Contributor harmless for any liability incurred by, or claims asserted against, such Contributor by reason of your accepting any such warranty or additional liability.

## MIT License

### Copyright (C) 2020 Amazon.com, Inc. or its affiliates. All Rights Reserved.

Permission is hereby granted, free of charge, to any person obtaining a copy of this software and associated documentation files (the "Software"), to deal in the Software without restriction, including without limitation the rights to use, copy, modify, merge, publish, distribute, sublicense, and/or sell copies of the Software, and to permit persons to whom the Software is furnished to do so, subject to the following conditions:

The above copyright notice and this permission notice shall be included in all copies or substantial portions of the Software. THE SOFTWARE IS PROVIDED "AS IS", WITHOUT WARRANTY OF ANY KIND, EXPRESS OR IMPLIED, INCLUDING BUT NOT LIMITED TO THE WARRANTIES OF MERCHANTABILITY, FITNESS FOR A PARTICULAR PURPOSE AND NONINFRINGEMENT. IN NO

EVENT SHALL THE AUTHORS OR COPYRIGHT HOLDERS BE LIABLE FOR ANY CLAIM, DAMAGES OR OTHER LIABILITY, WHETHER IN AN ACTION OF CONTRACT, TORT OR OTHERWISE, ARISING FROM, OUT OF OR IN CONNECTION WITH THE SOFTWARE OR THE USE OR OTHER DEALINGS IN THE SOFTWARE.

#### **MIT License**

**Copyright (c) 2011-2021 Flatmush <Flatmush@gmail.com>, Petteri Aimonen <Petteri.Aimonen@gmail.com>, & libfixmath AUTHORS**

**libfixmath is Copyright (c) 2011-2021 Flatmush <Flatmush@gmail.com>, Petteri Aimonen <Petteri.Aimonen@gmail.com>, & libfixmath AUTHORS**

Permission is hereby granted, free of charge, to any person obtaining a copy of this software and associated documentation files (the Software), to deal in the Software without restriction, including without limitation the rights to use, copy, modify, merge, publish, distribute, sublicense, and/or sell copies of the Software, and to permit persons to whom the Software is furnished to do so, subject to the following conditions:

The above copyright notice and this permission notice shall be included in all copies or substantial portions of the Software.

THE SOFTWARE IS PROVIDED AS IS, WITHOUT WARRANTY OF ANY KIND, EXPRESS OR IMPLIED, INCLUDING BUT NOT LIMITED TO THE WARRANTIES OF MERCHANTABILITY, FITNESS FOR A PARTICULAR PURPOSE AND NONINFRINGEMENT. IN NO EVENT SHALL THE AUTHORS OR COPYRIGHT HOLDERS BE LIABLE FOR ANY CLAIM, DAMAGES OR OTHER LIABILITY, WHETHER IN AN ACTION OF CONTRACT, TORT OR OTHERWISE, ARISING FROM, OUT OF OR IN CONNECTION WITH THE SOFTWARE OR THE USE OR OTHER DEALINGS IN THE SOFTWARE.

#### **MIT License**

**Copyright 2018 Geoffrey Hunter**

Permission is hereby granted, free of charge, to any person obtaining a copy of this software and associated documentation files (the "Software"), to deal in the Software without restriction, including without limitation the rights to use, copy, modify, merge, publish, distribute, sublicense, and/or sell copies of the Software, and to permit persons to whom the Software is furnished to do so, subject to the following conditions:

The above copyright notice and this permission notice shall be included in all copies or substantial portions of the Software.

THE SOFTWARE IS PROVIDED "AS IS", WITHOUT WARRANTY OF ANY KIND, EXPRESS OR IMPLIED, INCLUDING BUT NOT LIMITED TO THE WARRANTIES OF MERCHANTABILITY, FITNESS FOR A PARTICULAR PURPOSE AND NONINFRINGEMENT. IN NO EVENT SHALL THE AUTHORS OR COPYRIGHT HOLDERS BE LIABLE FOR ANY CLAIM, DAMAGES OR OTHER LIABILITY, WHETHER IN AN ACTION OF CONTRACT, TORT OR OTHERWISE, ARISING FROM, OUT OF OR IN CONNECTION WITH THE SOFTWARE OR THE USE OR OTHER DEALINGS IN THE SOFTWARE.