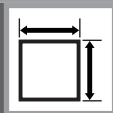
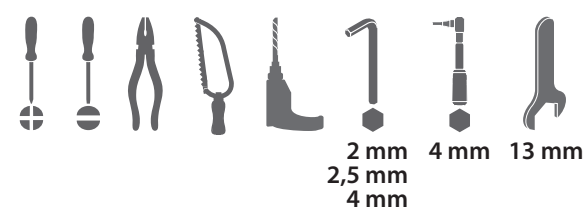


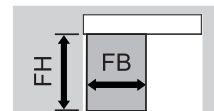
Levolan 60



146384-04



EN 1527
EN 1670

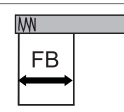
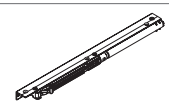


$FH : FB \leq 3:1$



60 kg

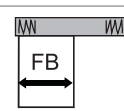
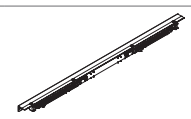
Levolan 60 SoftStop



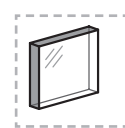
FB [mm]

≥570

Levolan SoftStopDuo

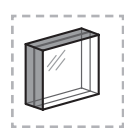


≥770



=

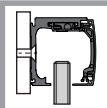
ESG/TSG
EN 12150



=

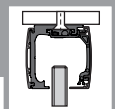
VSG/LSG
EN 12543
2x ESG/TSG

i



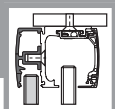
i+

A



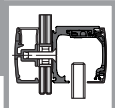
i+

B



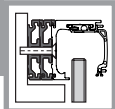
i+

C



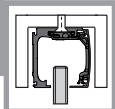
i+

D



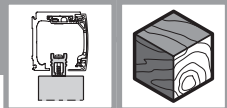
i+

E



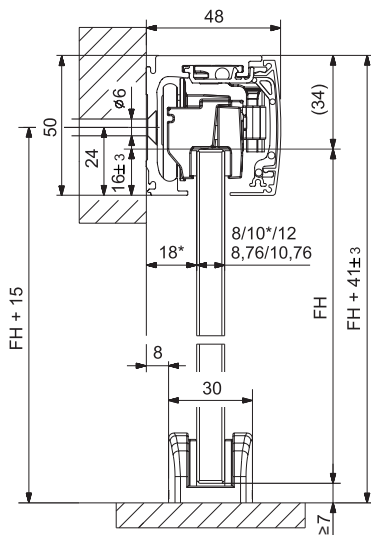
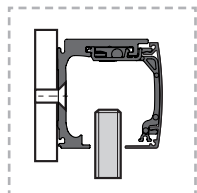
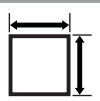
i+

F

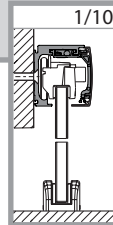


G

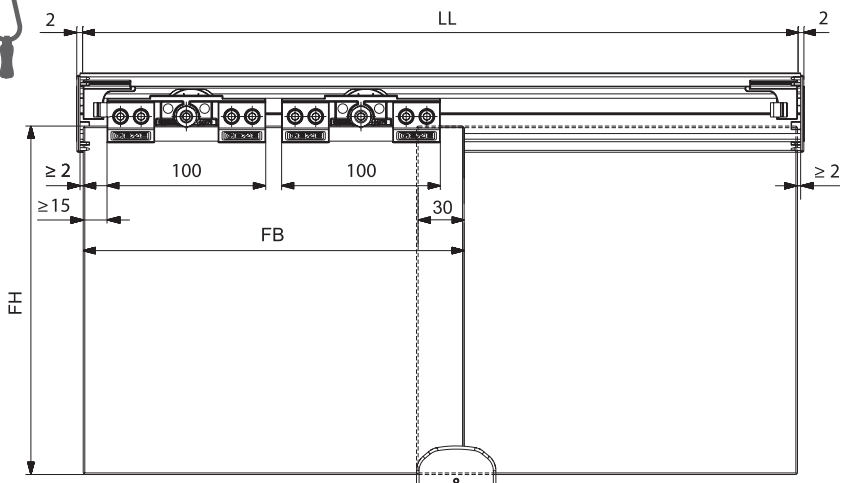


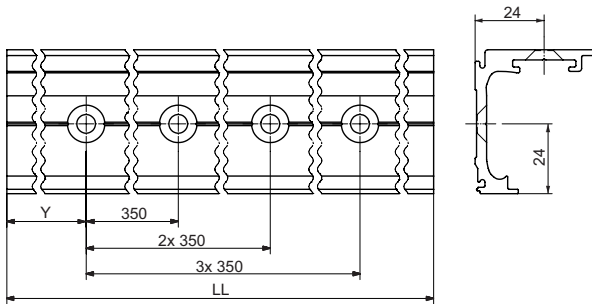
i

1/10

**1****LL**

$$LL = 2 * FB - 30 + 4$$



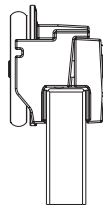
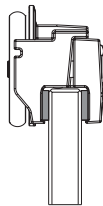
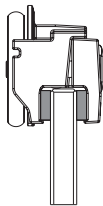
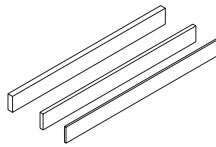


LL		Y
1650	5x	125
2050	6x	150
2450	7x	175
6000	18x	25

2



ESG/TSG
EN 12150



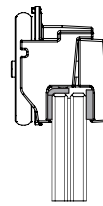
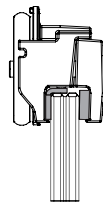
2x3 mm
ESG 8 mm

2x2 mm
ESG 10 mm

2x1 mm
ESG 12 mm

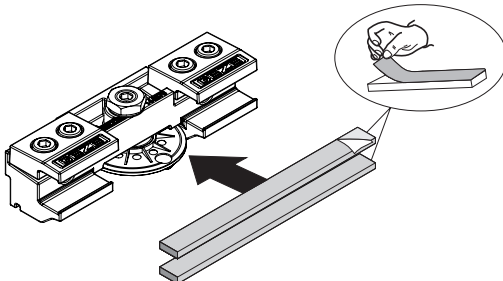


VSG/LSG
EN 12543
2x ESG/TSG



1x
1x 3 mm
VSG 8,76 mm

1x
1x 2 mm
VSG 10,76 mm



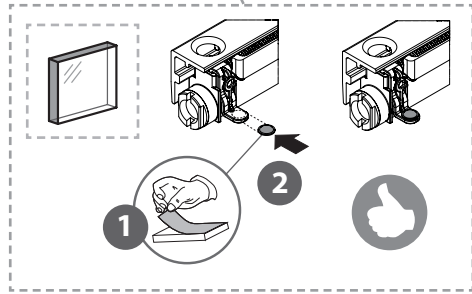
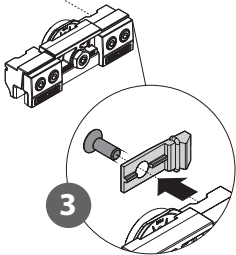
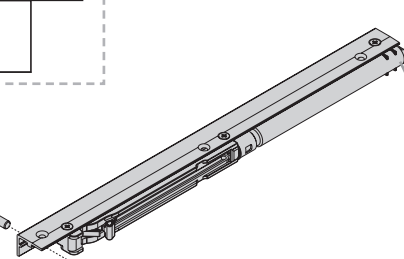
ID 133034

3



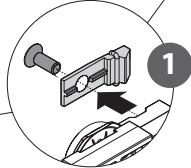
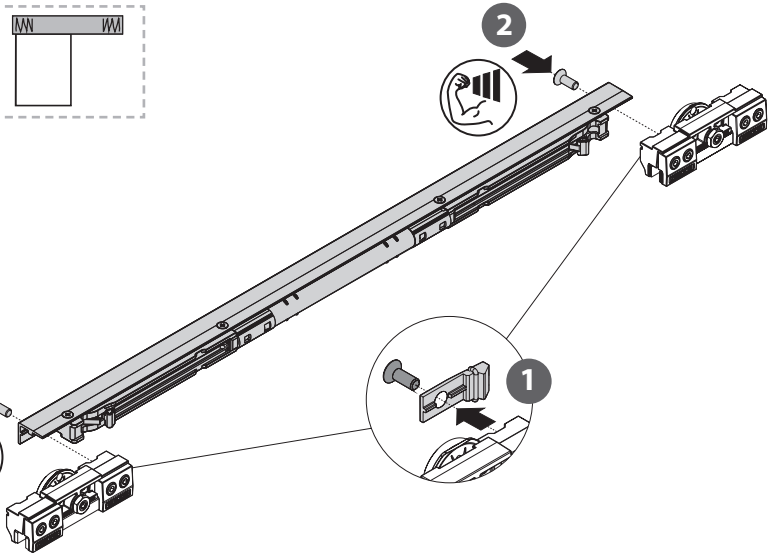
4 mm

4

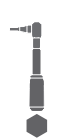
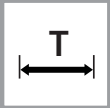



4 mm

2



4

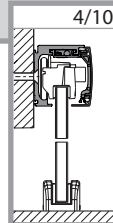


4 mm

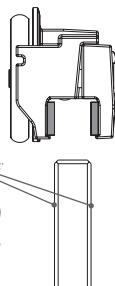


ESG/TSG
EN 12150

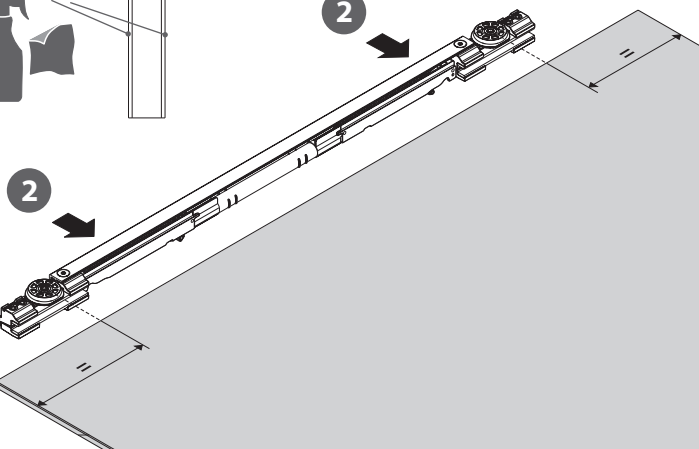
4/10



1



2



2

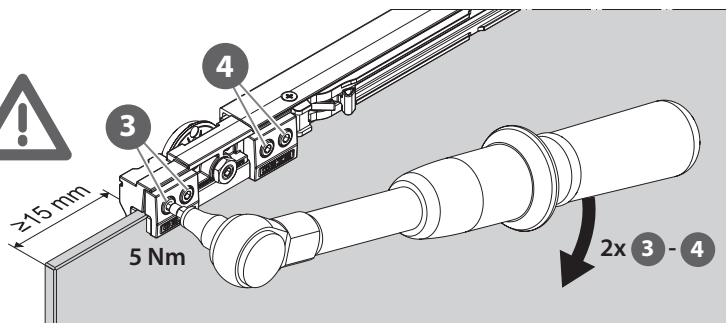


≥ 15 mm

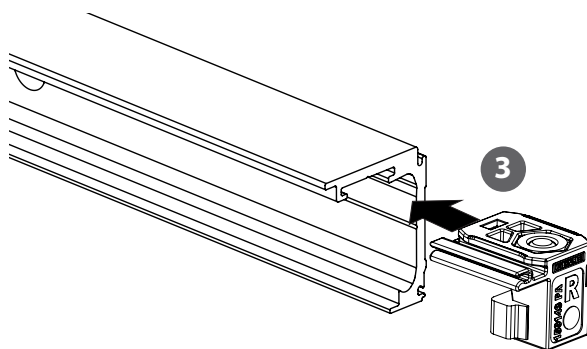
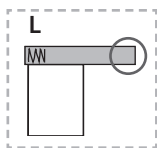
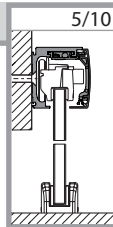
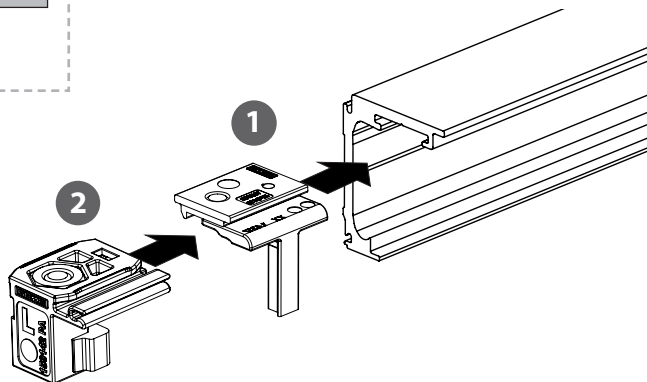
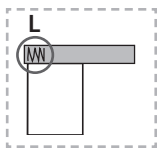
3

4

5 Nm



2x 3 - 4



6

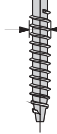
6/10



Ø 9,5-12 mm

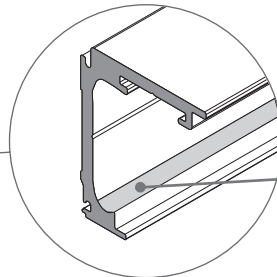
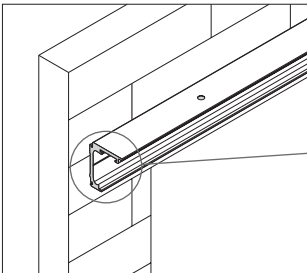
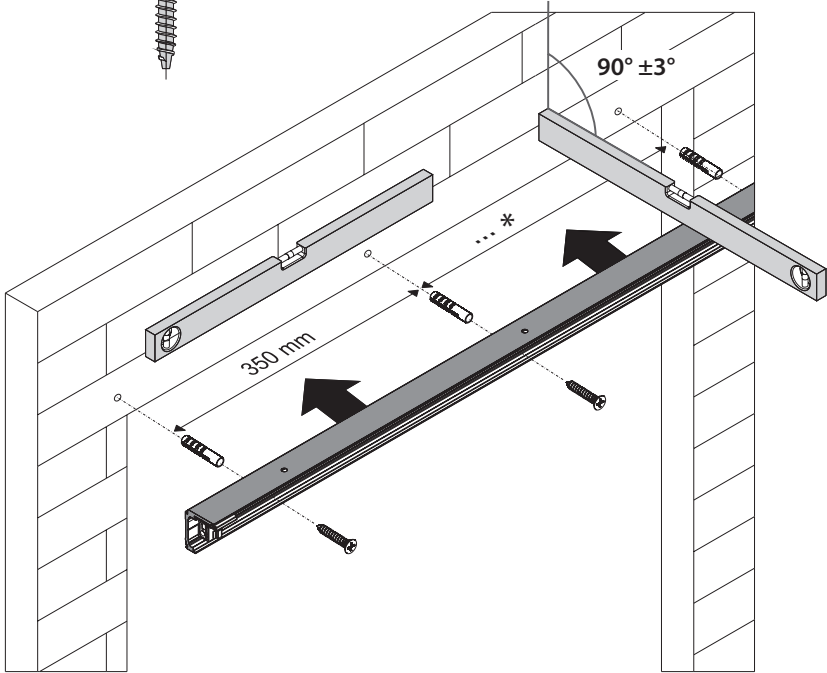
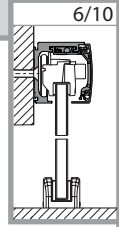


Ø 4,5-6,0 mm



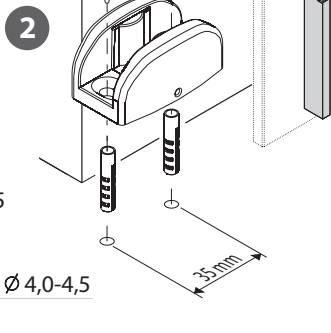
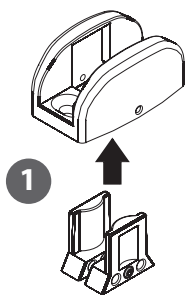
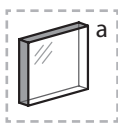
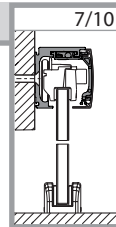
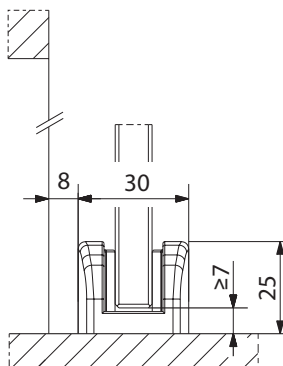
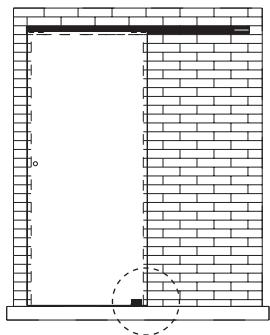
*

+ / 350 mm

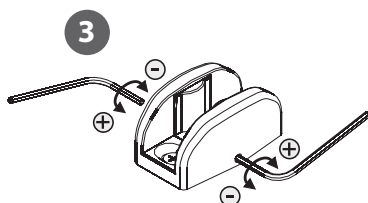


7

7/10

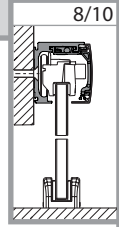
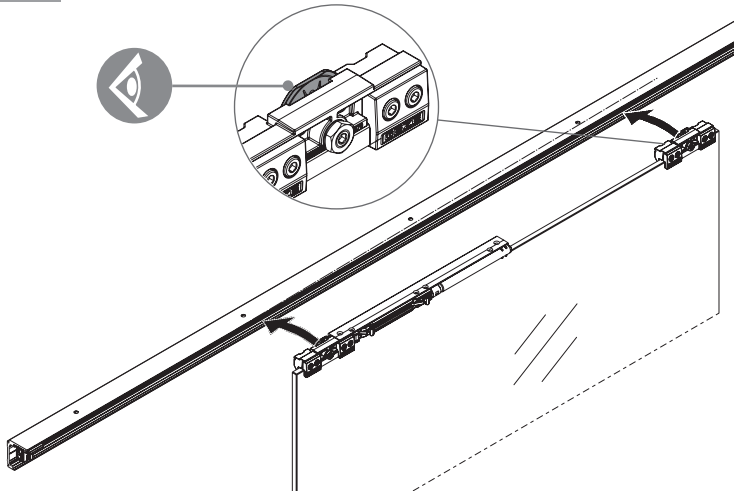


2 mm

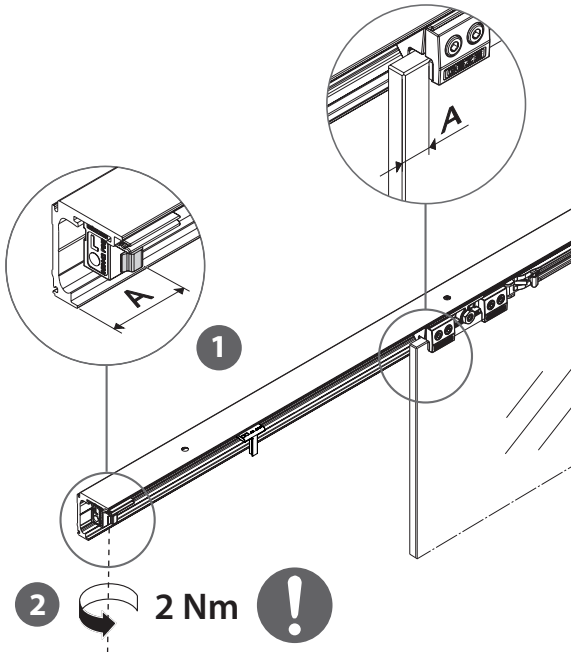
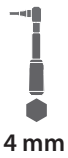


8

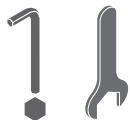
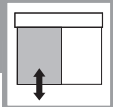
8/10



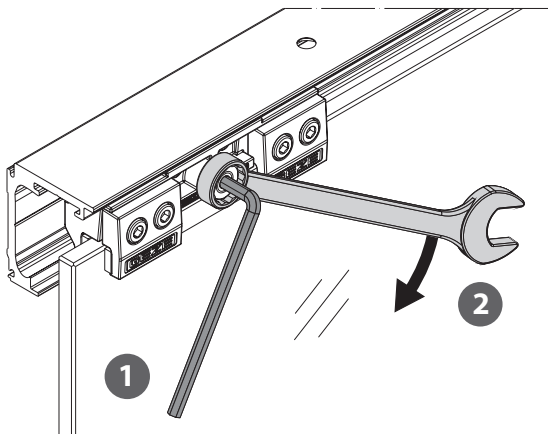
9



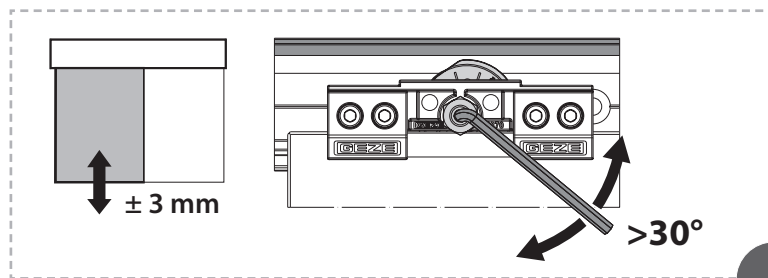
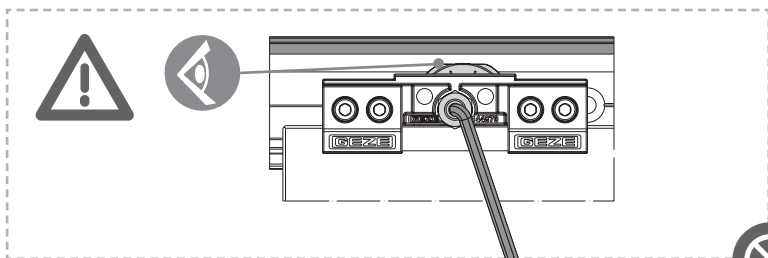
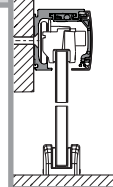
10

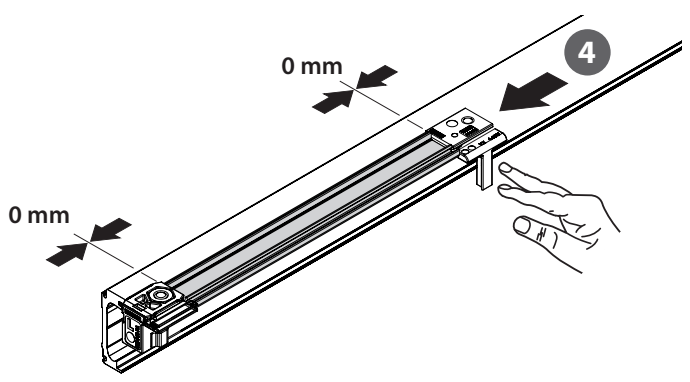
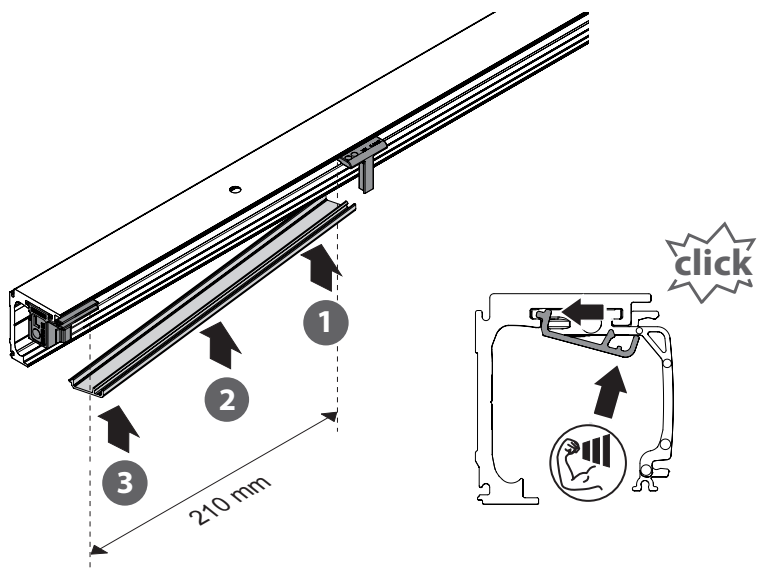


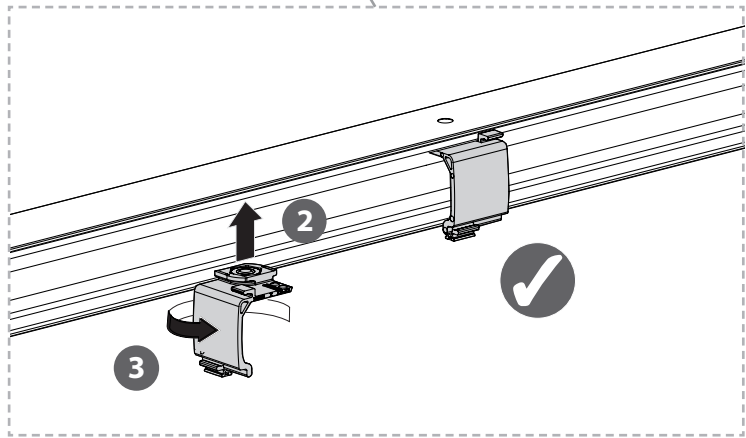
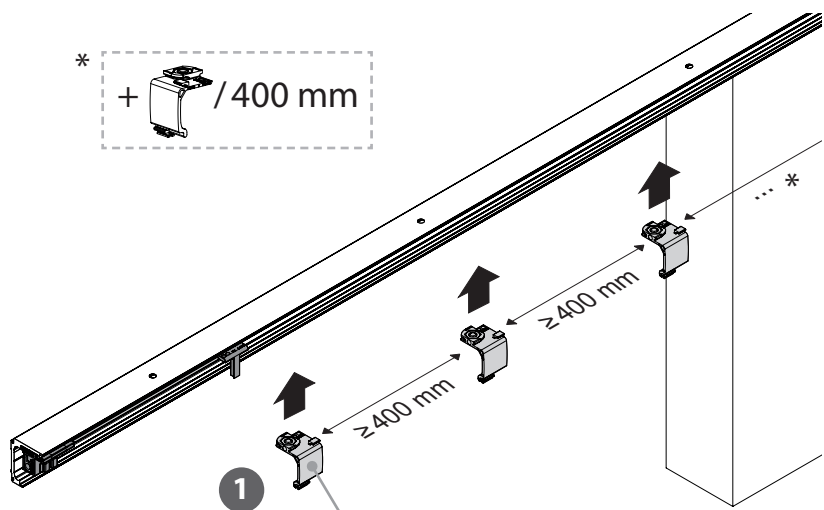
4 mm 13 mm

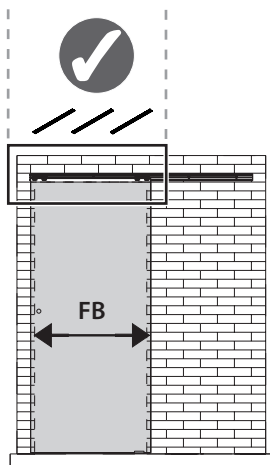
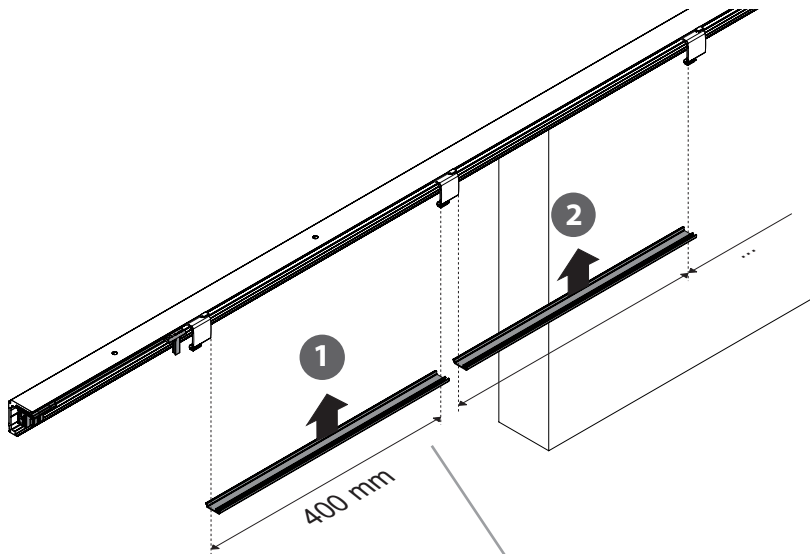


9/10

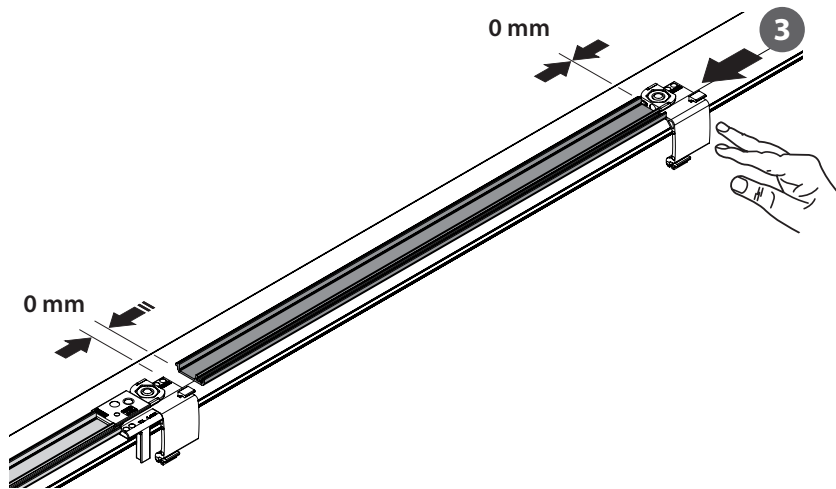








FB [mm]		
< 500	->	2x
500 - 1000	->	3x
1001-1500	->	4x
>1500	->	5x



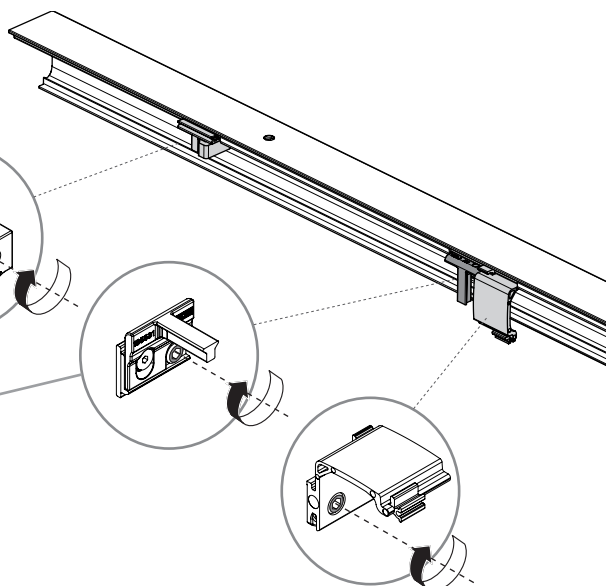
14



4 mm



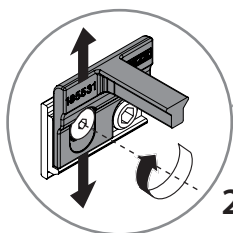
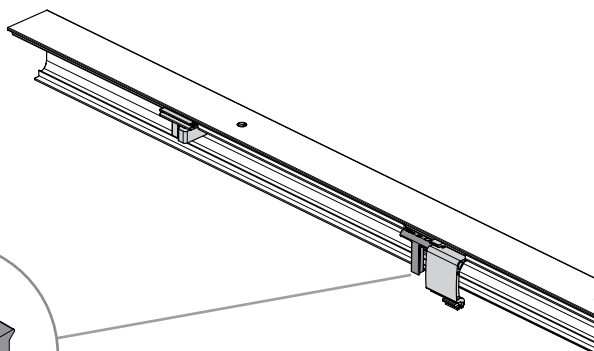
2 Nm



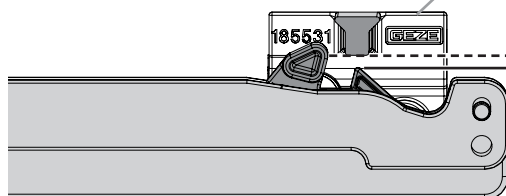
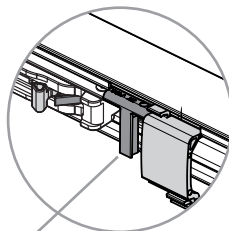
15



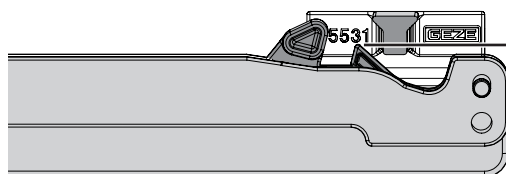
2,5 mm



2 Nm

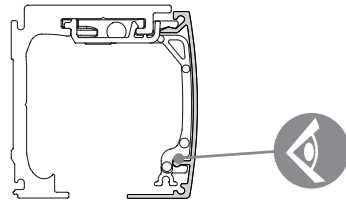
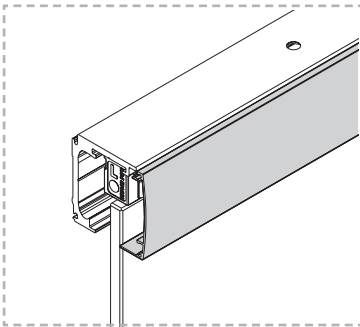
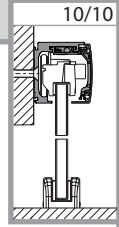
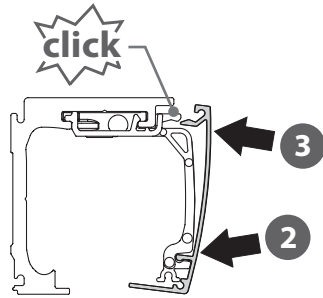
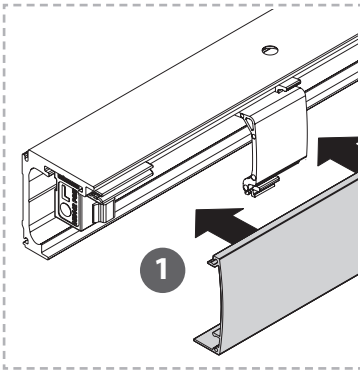


~1 mm

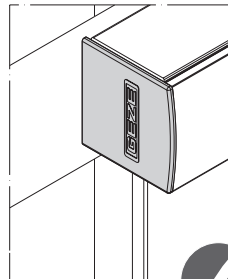
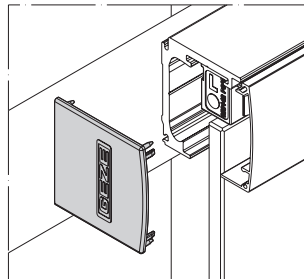
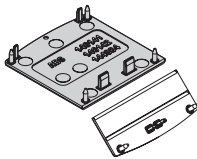


16

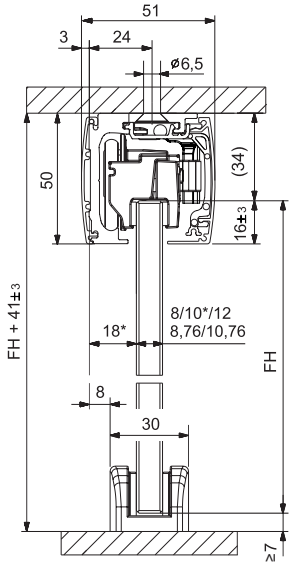
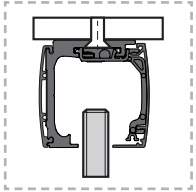
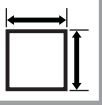
10/10



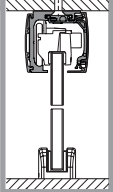
17



A



A-1/2



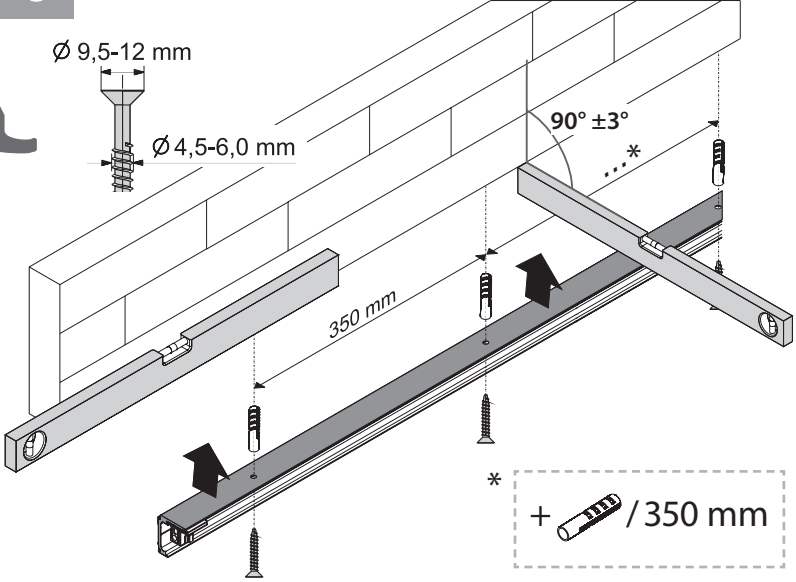
i+ 6

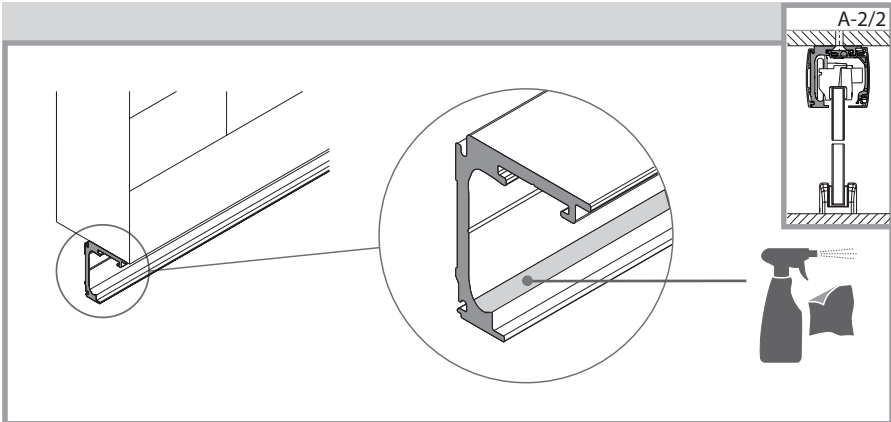


$\phi 9,5-12$ mm

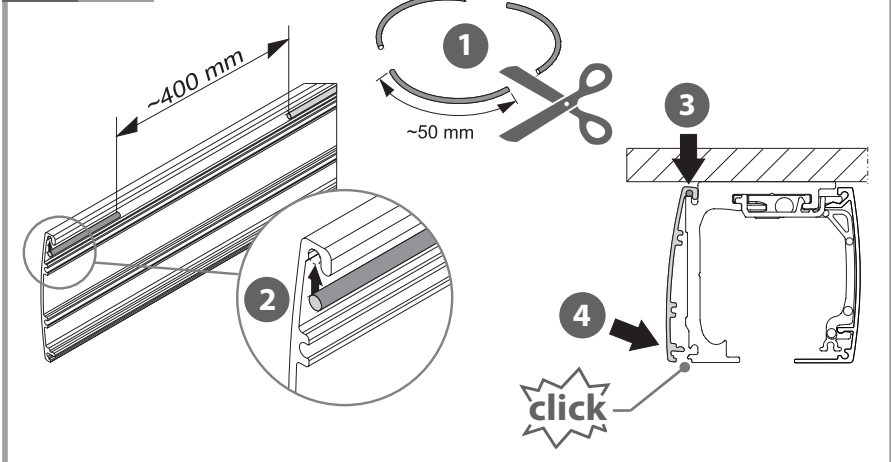


$\phi 4,5-6,0$ mm

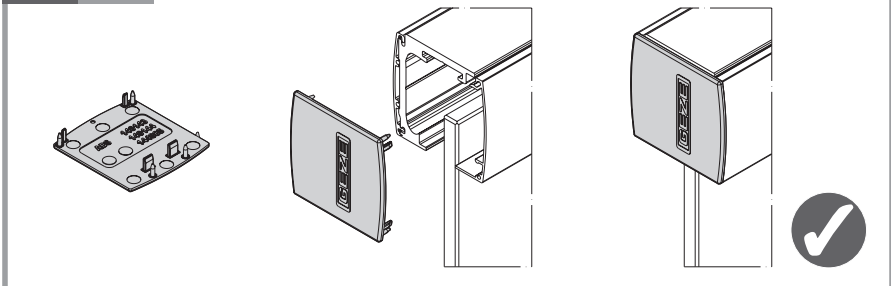


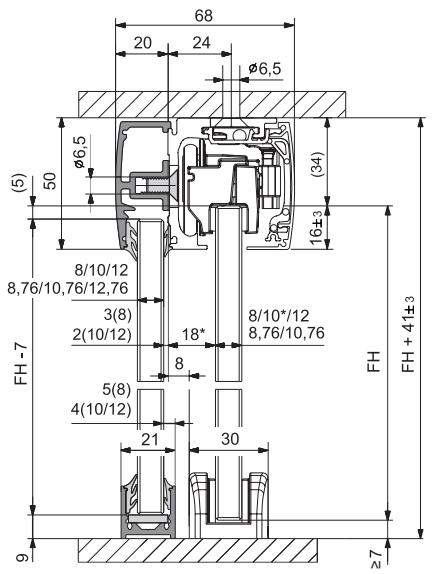
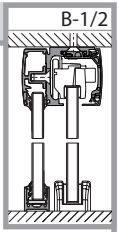
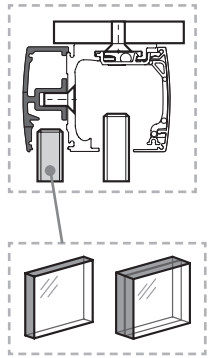


i+ 16

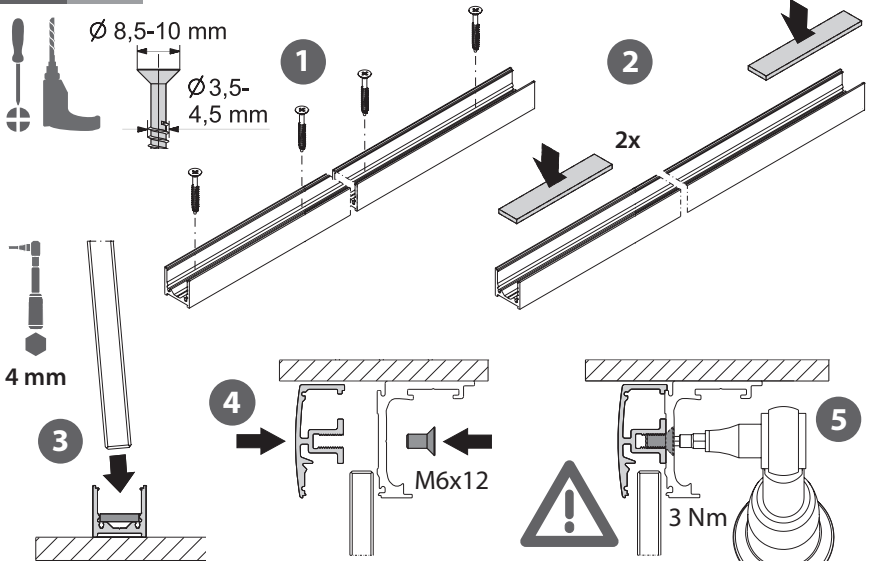


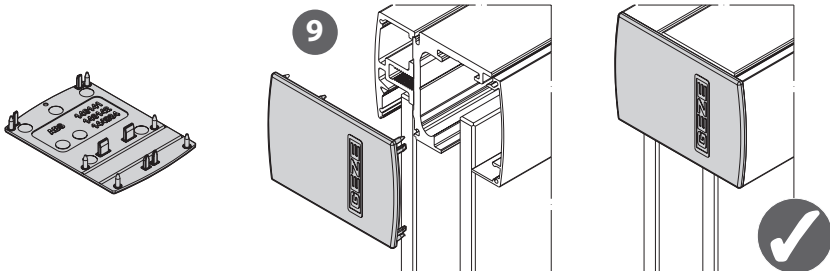
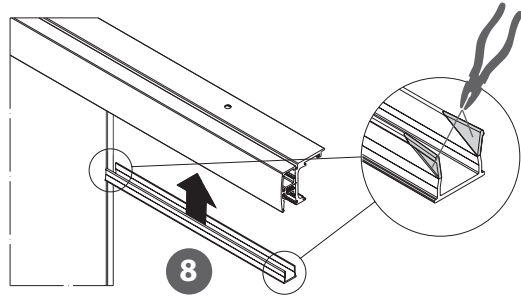
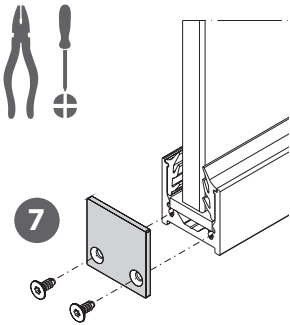
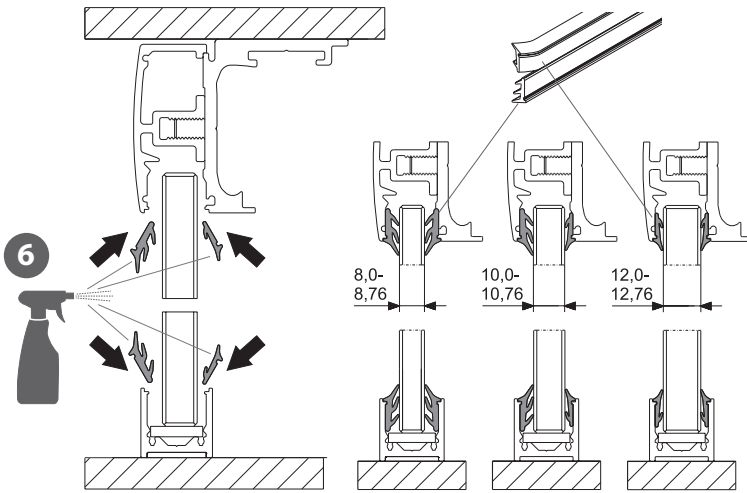
i+ 17

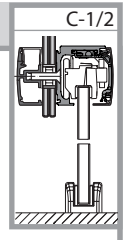
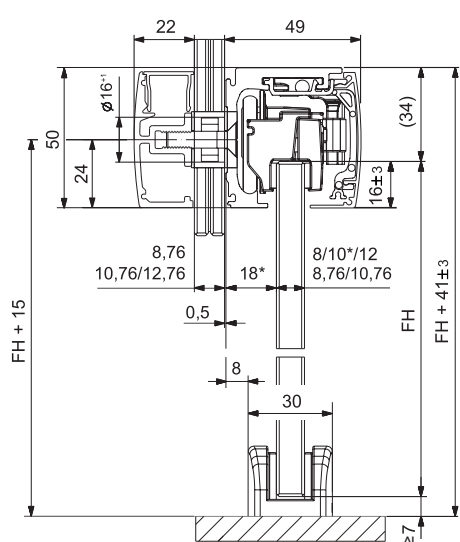
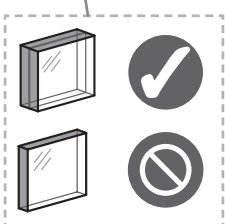
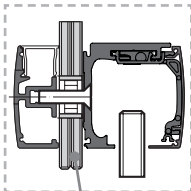




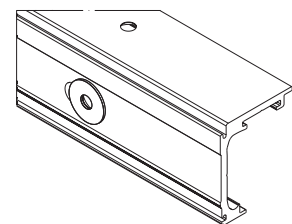
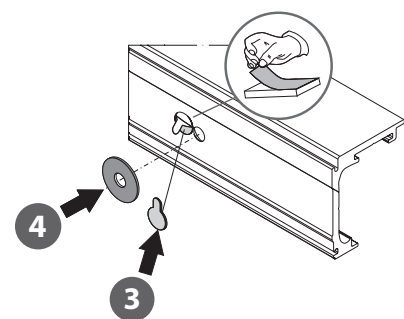
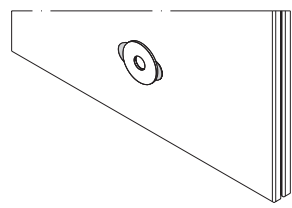
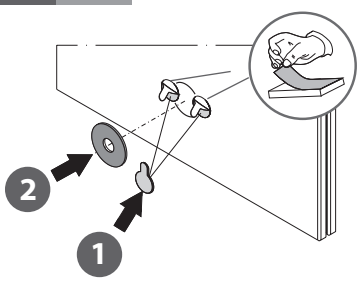
i + 13

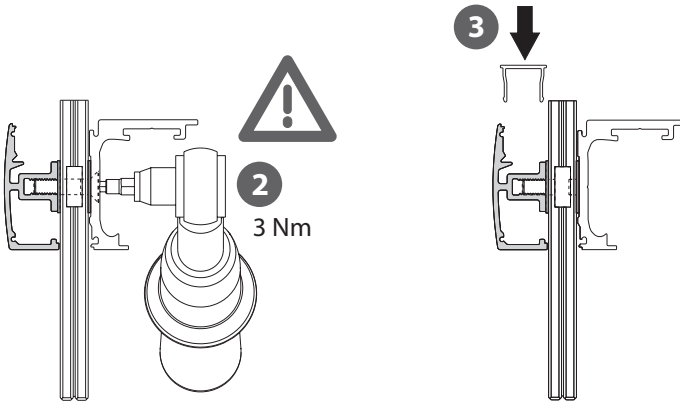
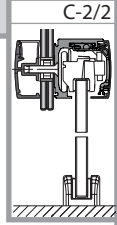
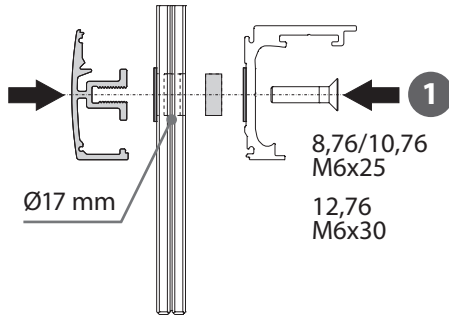




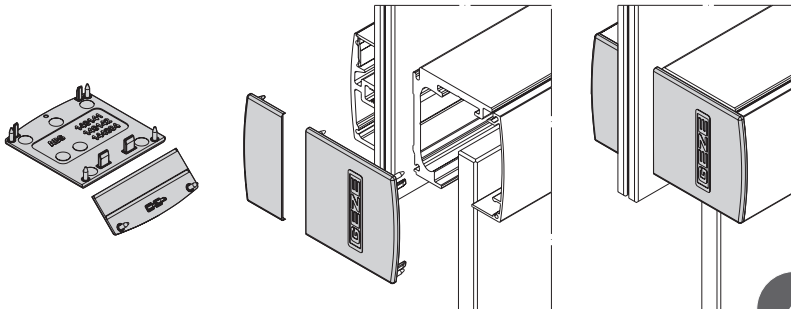


i+ 6

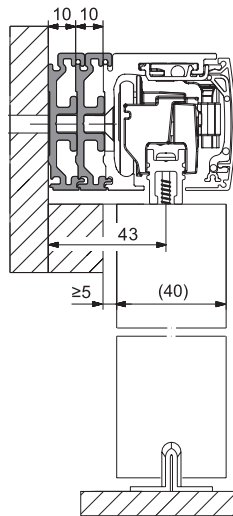
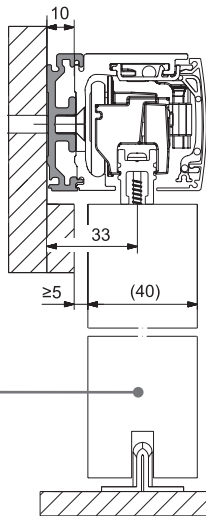
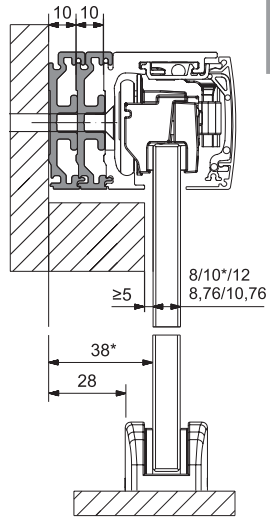
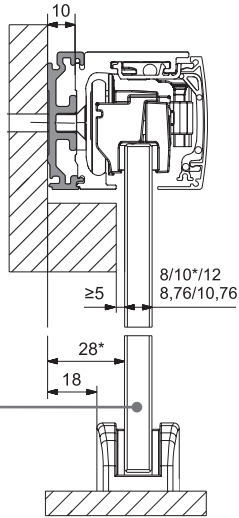
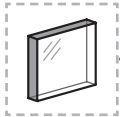
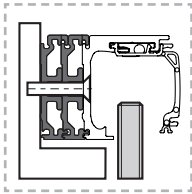
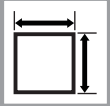




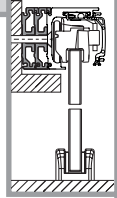
i+ 17

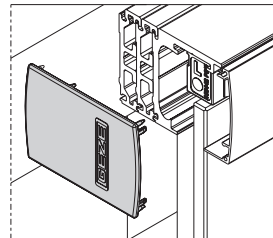
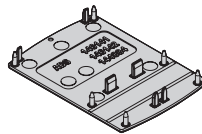
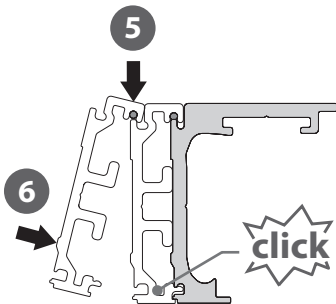
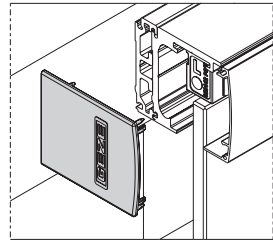
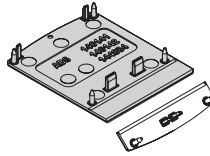
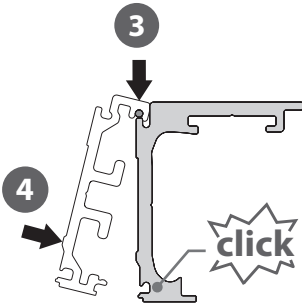
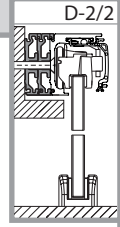
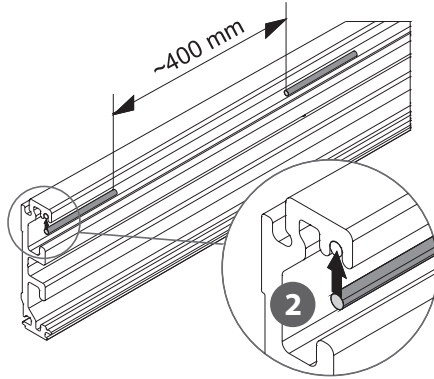
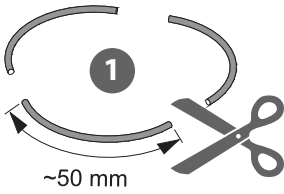


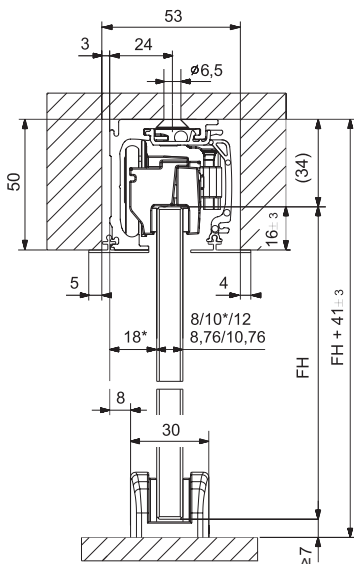
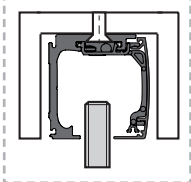
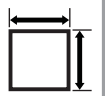
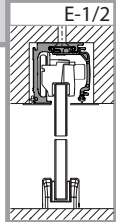
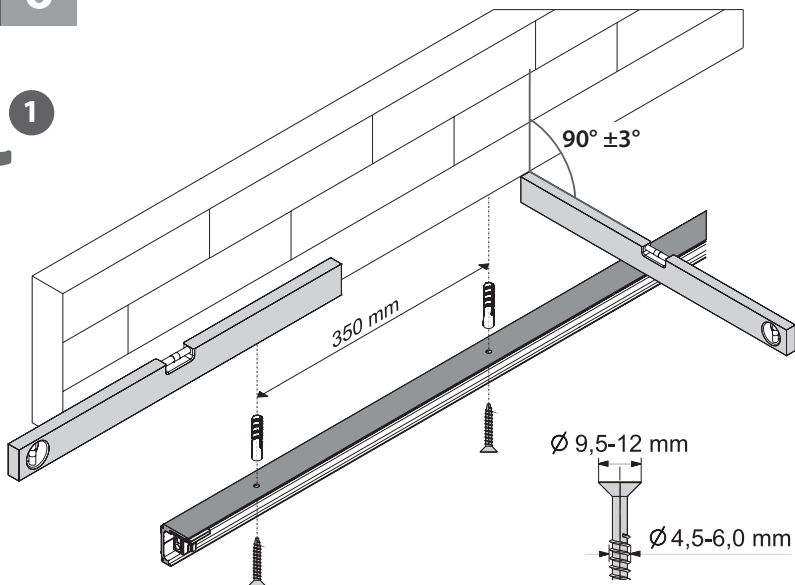
D

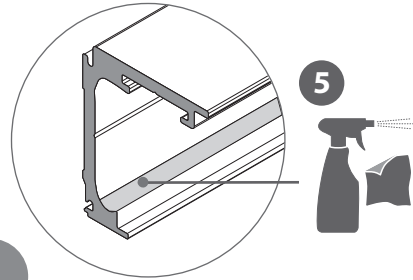
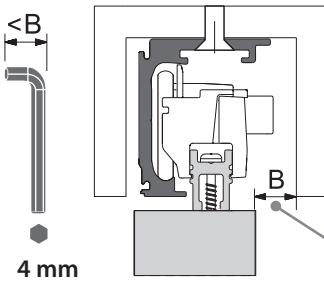
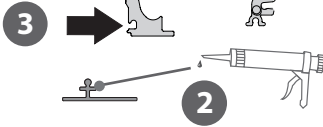
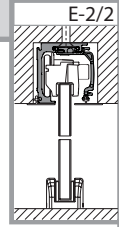
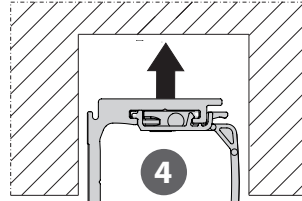
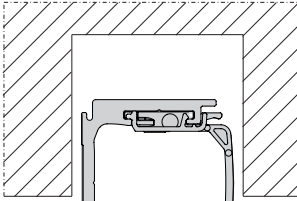


D-1/2

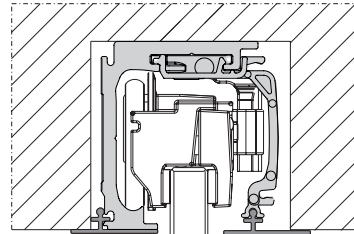
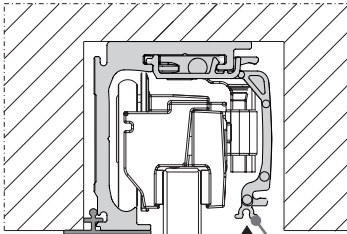




E**E-1/2****i + 6****1**

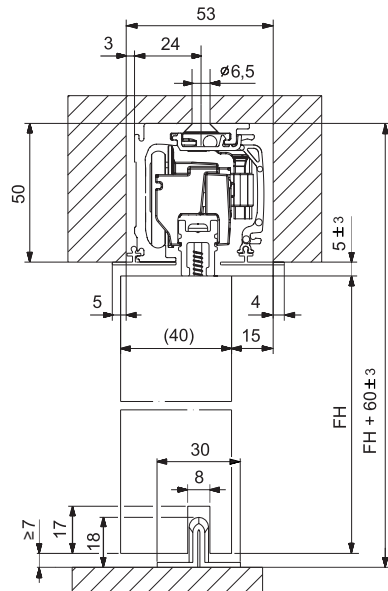
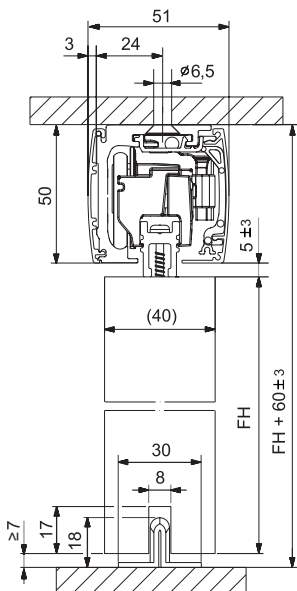
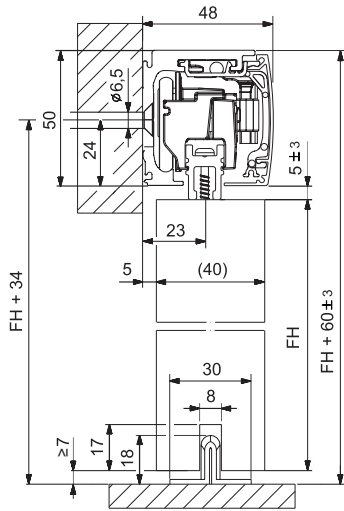
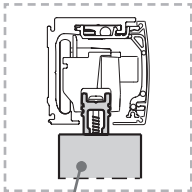


i+ 16



F

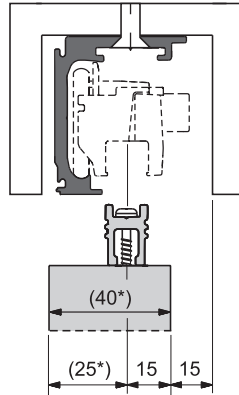
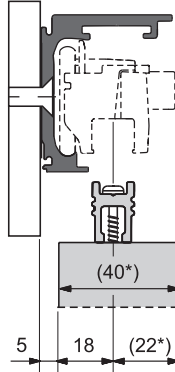
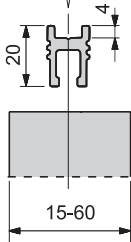
F-1/2



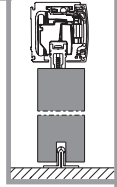
i+ 4



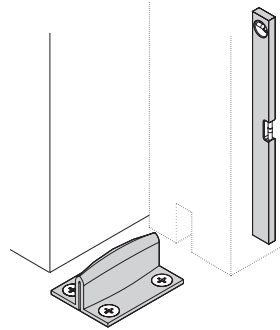
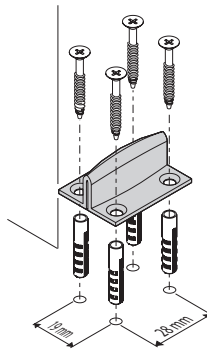
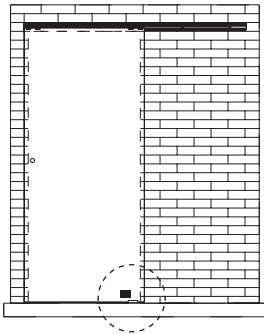
$\varnothing 7-8 \text{ mm}$
 $\leq \varnothing 4 \text{ mm}$



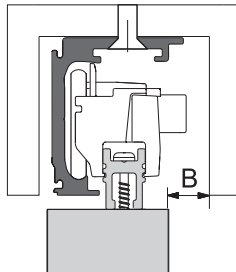
F-2/2



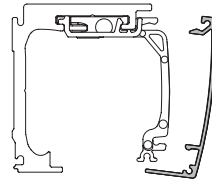
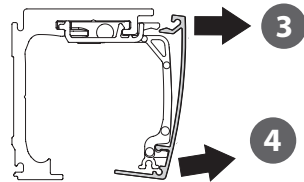
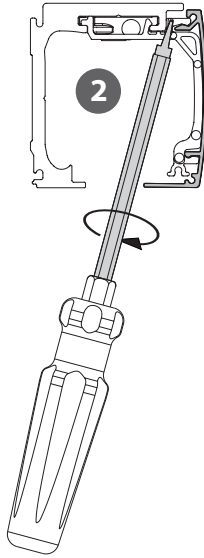
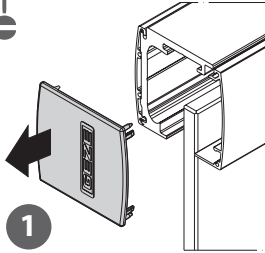
i+ 7



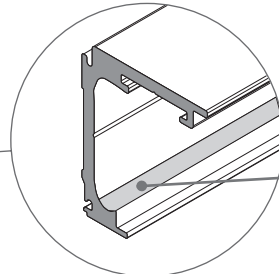
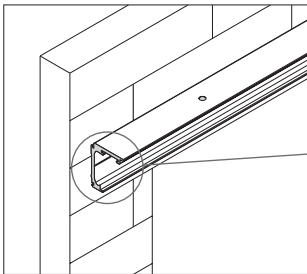
i+ 10



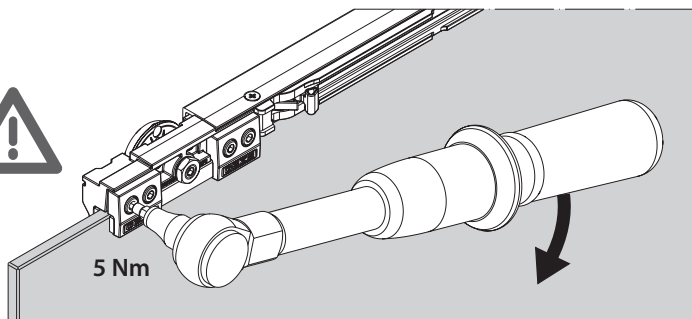
G



1



2

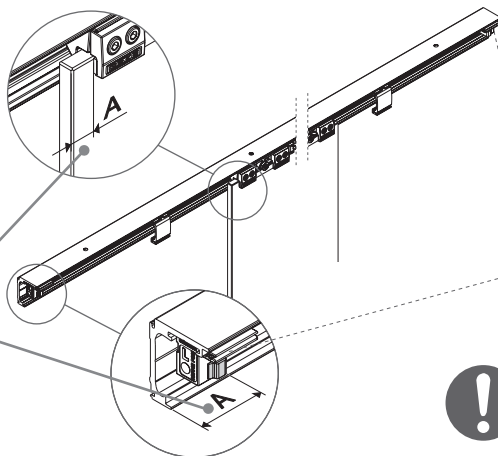


5 Nm

3



1

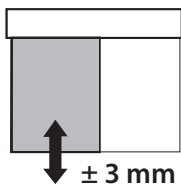


2

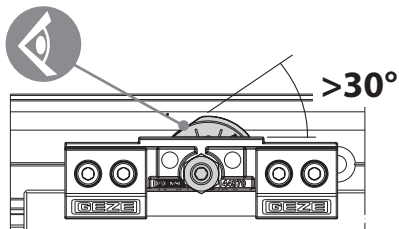


2 Nm

4



± 3 mm



Germany

GEZE GmbH
Niederlassung Süd-West
Tel. +49 (0) 7152 203 594
E-Mail: leonberg.de@geze.com

GEZE GmbH
Niederlassung Süd-Ost
Tel. +49 (0) 7152 203 6440
E-Mail: muenchen.de@geze.com

GEZE GmbH
Niederlassung Ost
Tel. +49 (0) 7152 203 6840
E-Mail: berlin.de@geze.com

GEZE GmbH
Niederlassung Mitte/Luxemburg
Tel. +49 (0) 7152 203 6888
E-Mail: frankfurt.de@geze.com

GEZE GmbH
Niederlassung West
Tel. +49 (0) 7152 203 6770
E-Mail: duesseldorf.de@geze.com

GEZE GmbH
Niederlassung Nord
Tel. +49 (0) 7152 203 6600
E-Mail: hamburg.de@geze.com

GEZE Service GmbH
Tel. +49 (0) 1802 923392
E-Mail: service-info.de@geze.com

Austria

GEZE Austria
E-Mail: austria.at@geze.com
www.geze.at

Baltic States –

Lithuania / Latvia / Estonia
E-Mail: baltic-states@geze.com

Benelux

GEZE Benelux B.V.
E-Mail: benelux.nl@geze.com
www.geze.be
www.geze.nl

Bulgaria

GEZE Bulgaria - Trade
E-Mail: office-bulgaria@geze.com
www.geze.bg

China

GEZE Industries (Tianjin) Co., Ltd.
E-Mail: chinasaless@geze.com.cn
www.geze.com.cn

GEZE Industries (Tianjin) Co., Ltd.
Branch Office Shanghai
E-Mail: chinasaless@geze.com.cn
www.geze.com.cn

GEZE Industries (Tianjin) Co., Ltd.
Branch Office Guangzhou
E-Mail: chinasaless@geze.com.cn
www.geze.com.cn

GEZE Industries (Tianjin) Co., Ltd.
Branch Office Beijing
E-Mail: chinasaless@geze.com.cn
www.geze.com.cn

France

GEZE France S.A.R.L.
E-Mail: france.fr@geze.com
www.geze.fr

Hungary

GEZE Hungary Kft.
E-Mail: office-hungary@geze.com
www.geze.hu

Iberia

GEZE Iberia S.R.L.
E-Mail: info.es@geze.com
www.geze.es

India

GEZE India Private Ltd.
E-Mail: office-india@geze.com
www.geze.in

Italy

GEZE Italia S.r.l.
E-Mail: italia.it@geze.com
www.geze.it

GEZE Engineering Roma S.r.l.
E-Mail: italia.it@geze.com
www.geze.it

Korea

GEZE Korea Ltd.
E-Mail: info.kr@geze.com
www.geze.com

Poland

GEZE Polska Sp.z o.o.
E-Mail: geze.pl@geze.com
www.geze.pl

Romania

GEZE Romania S.R.L.
E-Mail: office-romania@geze.com
www.geze.ro

Russia

OOO GEZE RUS
E-Mail: office-russia@geze.com
www.geze.ru

Scandinavia – Sweden

GEZE Scandinavia AB
E-Mail: sverige.se@geze.com
www.geze.se

Scandinavia – Norway

GEZE Scandinavia AB avd. Norge
E-Mail: norge.se@geze.com
www.geze.no

Scandinavia – Denmark

GEZE Danmark
E-Mail: danmark.se@geze.com
www.geze.dk

Singapore

GEZE (Asia Pacific) Pte, Ltd.
E-Mail: gezesea@geze.com.sg
www.geze.com

South Africa

GEZE South Africa (Pty) Ltd.
E-Mail: info@gezesa.co.za
www.geze.co.za

Switzerland

GEZE Schweiz AG
E-Mail: schweiz.ch@geze.com
www.geze.ch

Turkey

GEZE Kapi ve Pencere Sistemleri
E-Mail: office-turkey@geze.com
www.geze.com

Ukraine

LLC GEZE Ukraine
E-Mail: office-ukraine@geze.com
www.geze.ua

United Arab Emirates/GCC

GEZE Middle East
E-Mail: gezeme@geze.com
www.geze.ae

United Kingdom

GEZE UK Ltd.
E-Mail: info.uk@geze.com
www.geze.com

GEZE GmbH

Reinhold-Vöster-Straße 21–29
71229 Leonberg
Germany

Tel.: 0049 7152 203 0
Fax: 0049 7152 203 310
www.geze.com

