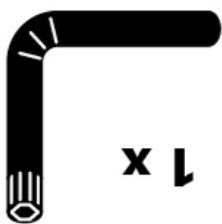
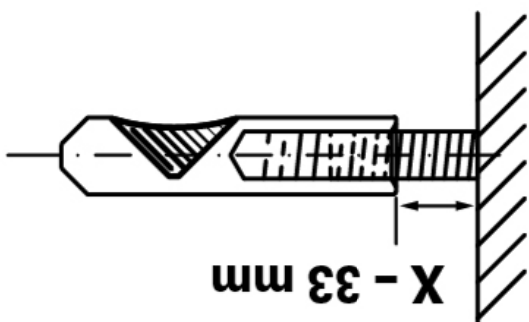


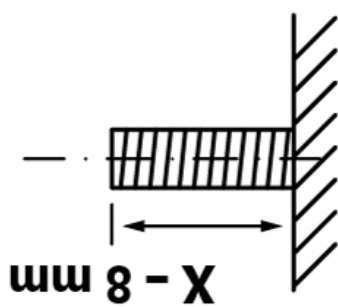
3



1 x



X - 33 mm

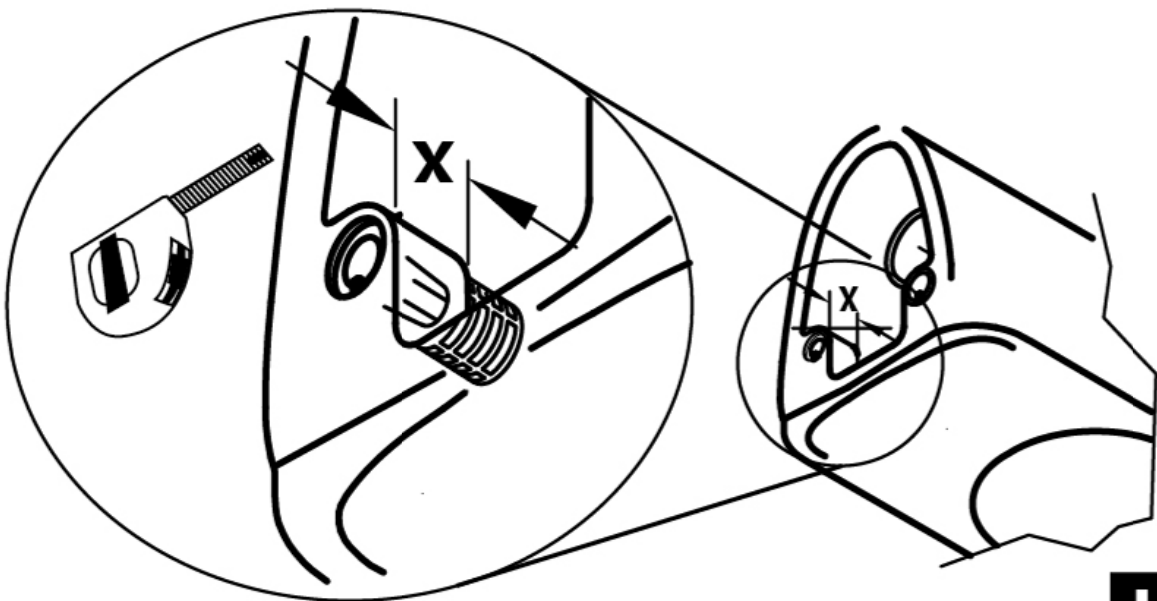


X - 8 mm

2



2 x



1